

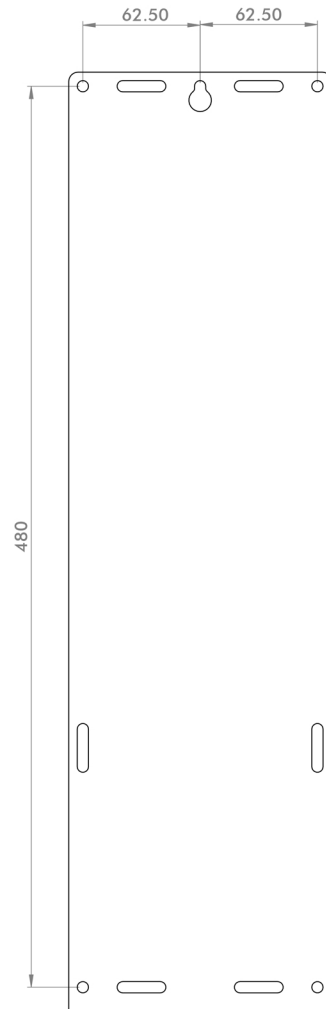
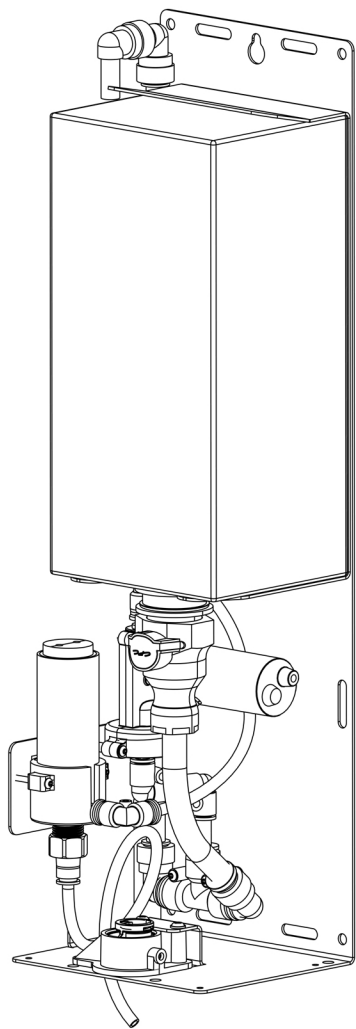
DS810

DOLPHIN SOLUTIONS LIMITED

DOLPHIN FOAM CARTRIDGE BEHIND MIRROR DISPENSER

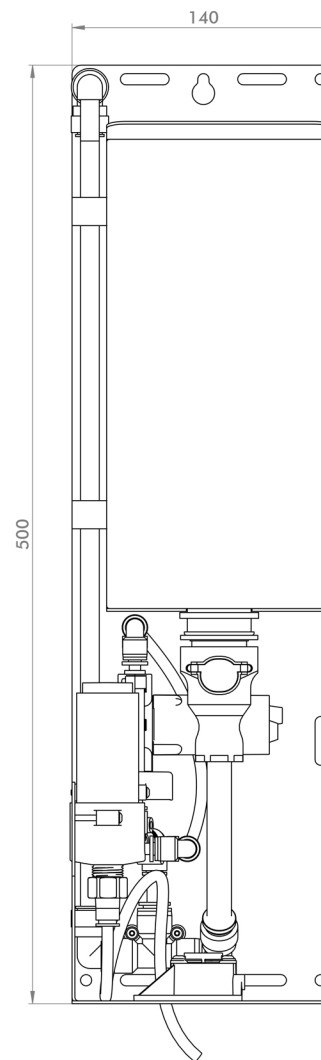
FIXING HOLES

USE KEYHOLE TO INITIALLY MOUNT WITH ONE FIXING
DO NOT PRINT - NOT FOR USE AS TEMPLATE
ALL HOLES $\varnothing 6$ MM



BEHIND MIRROR DISPENSER

WELL COMPLIANT - V2 2018 IW81 - SECTION W08 HANDWASHING PART 2A



REQUIRED CLEARANCE
TO REPLACE CARTRIDGE
108

