



PRESTIGE DOC M SHOWER PACK – CONCEALED

(Click on product code or page number to view Datasheet)

DP6605_A	Page 2
DP6605_A Pack contains:	
DB3100 Shower Valve x1	Page 3
DB3001 Shower Head x1	Page 4
DB3061.350 Shower Arm x1	Page 5
DB3073 Shower Outlet x1	Page 6
DB3041.150 Shower Hose x1	Page 7
DB3020 Hand Held Shower Head x1	Page 8
DB3090.450 Slider Rail and Holder x1	Page 9
DP680300 Shower Curtain Rail x1	Page 10
BC5083-14L Shower Curtains x2	Page 11
BC5083-13 Shower Curtain Hooks x24	Page 12
DP600600 Grab Rail – 600mm x3	Page 13
DP600500 Grab Rail – 500mm x1	Page 14
DP670300 Hinged Drop Down Rail x2	Page 15
BC5083-33 Shower Seat x1	Page 16
BC5083-34 Back Rest x1	Page 17
BC5083-121 Alarm Pull Cord x1	Page 18
DP7102 Robe Hooks x2	Page 19
BC5083-101 Mirror 1000mm x 400mm x1	Page 20

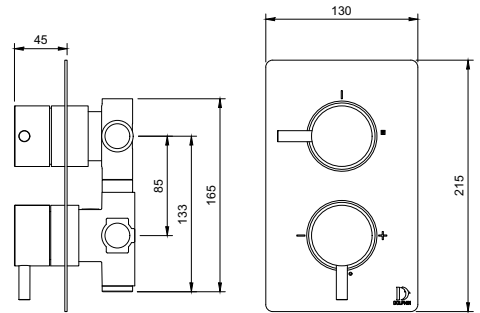


DP6605_A

DOLPHIN PRESTIGE DOC M SHOWER SET – CONCEALED

- › Compliant with Part M of the Building Regulations
- › Complete set includes all of the items listed below to ensure compliance from specification to installation
- › All items of a co-ordinated design to achieve a consistent aesthetic look throughout the washroom
- › Cost effective alternative to sourcing all items individually
- › Set is delivered in one package for easy installation
- › Includes handmade Prestige grab rails and accessories for ultimate durability
- › To assist blind or partially sighted persons in navigating the washroom there should be a contrast difference of 30 between the LRV (Light Reflective Value) of fixtures/fittings and surrounding surfaces as well as between floors, walls, doors and ceilings. Contact the Dolphin Technical Team for assistance
- › This pack uses TMV Certified valves
- › DP6605 Pack contains:
 - › DB3100 Shower Valve x1
 - › DB3001 Shower Head x1
 - › DB3061.350 Shower Arm x1
 - › DB3070 Shower Outlet x1
 - › DB3041 Shower Hose x1
 - › DB3020 Hand Held Shower Head x1
 - › DB3090.450 Slider Rail and Holder x1
 - › DP680300 Shower Curtain Rail x1
 - › BC5083-14L Shower Curtains x2
 - › BC5083-13 Shower Curtain Hooks x24
 - › DP600600 Grab Rail – 600mm x3
 - › DP600500 Grab Rail – 500mm x1
 - › DP670300 Hinged Drop Down Rail x 2
 - › BC5083-33 Shower Seat x1
 - › BC5083-34 Back Rest x1
 - › BC5083-121 Alarm Pull Cord x1
 - › DP7102 Robe Hooks x2
 - › BC5083-101 Mirror 1000mm x 400mm x1
 - › WRAS certification numbers
 - › DB3100 : 1911347 DB3001 :
 - › 2003342 DB3060.200 :
 - › 2003371 DB3070 : 2003357
 - › DB3041 : 1904081
 - › Flow Rates:
 - › DB3100 : 6 Litres per minute and 9 Litres per minute flow regulators both supplied, other flow rates available on special request



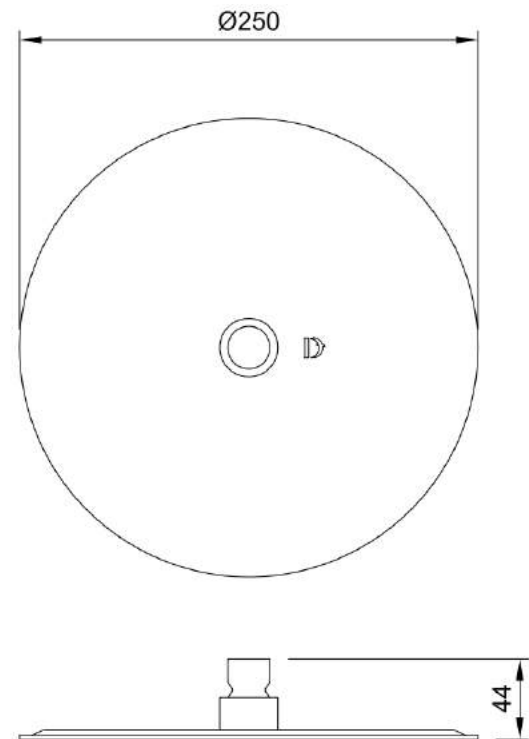


DB3100.x(.xx) DB3101.x(.xx)

DOLPHIN BLUE SHOWER VALVE

- › Dolphin Blue Shower Valve with Thermostatic Temperature Control and Two-Ways Diverter
- › Minimalist design with slimline rectangular face plate
- › TMV2 thermostatic temperature control maintains consistent, comfortable showering temperature whilst ensuring against scalding
- › 30mm levers on the DB3100 version (As shown above) allow operation even with a clenched fist ideal for installation in accessible areas
- › Also available is the lever-less DB3101 version
- › Two outlets (two-ways diverter) for connection to an fixed shower head and hand held shower head with hose (sold separately)
- › Single outlet (headworks) also available for either fixed shower head OR hand held shower head with hose – see DB3200/DB3201
- › Complements most of our other Dolphin taps and fittings
- › Available in both Satin and Chrome finishes
- › High quality brass and stainless steel construction with highest quality cartridges and mechanisms from market leading specialist manufacturers from within Europe to ensure robust and reliable performance in high demand commercial locations
- › Suitable for all water systems › 5 year parts and labour guarantee

WIDTH	130 MM
HEIGHT	215 MM
PROJECTION	45 MM



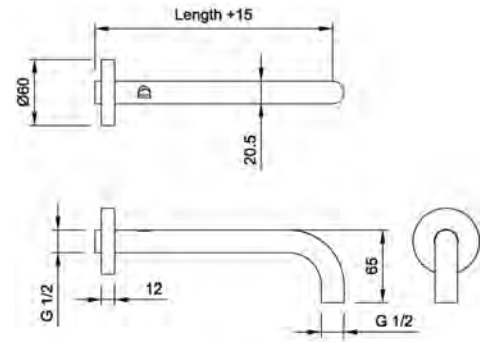
DB3001

DOLPHIN BLUE ROUND SHOWER HEAD

- > Ultra-thin round shower head at 250mm wide with safety valve (Shower Head Only)
- > 2 Flow Regulators included to provide 6 or 9 Litres per minute @ 3 bar
- > 5 Litre per minute flow regulator also available on request
- > 88 Nozzles
- > WRAS Approved
- > Fits DB3060 Ceiling Mounted Arm, DB3061 Wall Mounted Arm and DB3062 Wall Mounted Arm (Supplied separately)
- > Complements most of our other Dolphin taps and fittings
- > Available in polished and satin brushed stainless steel, and can also be powder coated black (RAL9005 15% sheen)
- > High quality brass and stainless steel construction with highest quality cartridges and mechanisms from market leading specialist manufacturers from within Europe to ensure robust and reliable performance in high demand commercial locations
- > Suitable for all water systems
- > 2 year parts and labour guarantee

WIDTH	250MM
HEIGHT	44MM





DB3061.xxx.x(.xx)

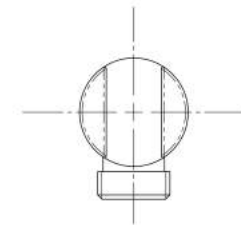
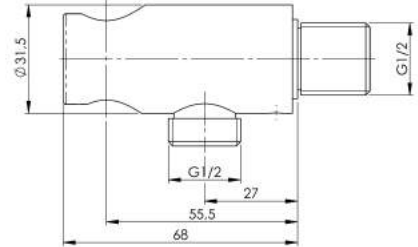
DOLPHIN BLUE SHOWER ARM

- › Dolphin Blue Wall Mounted Shower Arm
- › Available in 4 lengths (See Product Codes)
- › WRAS Approved
- › Complements most of our other Dolphin taps and fittings
- › Available in both Satin and Chrome finishes
- › High quality brass construction
- › Suitable for all water systems
- › 2 year parts and labour guarantee

PRODUCT CODES

- › DB3061.200.x(.xx) 200mm
- › DB3061.250.x(.xx) 250mm
- › DB3061.300.x(.xx) 300mm
- › DB3061.350.x(.xx) 350mm





DB3073

DOLPHIN BLUE SHOWER WALL OUTLET & HOLDER

- › Dolphin Blue Wall Outlet and Holder with 1/2" BSP connection
- › Complements most of our other Dolphin taps and fittings
- › Available in both polished and satin/brushed finish Brass in the following colours – PVD in Bronze, Brass, Gold, Rose Gold, Black and Copper and Powder Coated in any RAL colour of your choice
- › High quality brass construction
- › Suitable for all water systems

PRODUCT CODES

DB3073.1 - Satin Stainless version

DB3073.2 - Mirror polish version



DB3041

DOLPHIN SHOWER HOSE

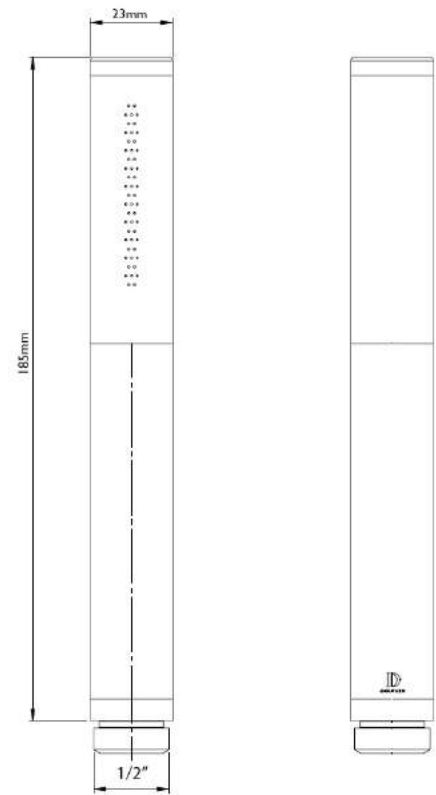
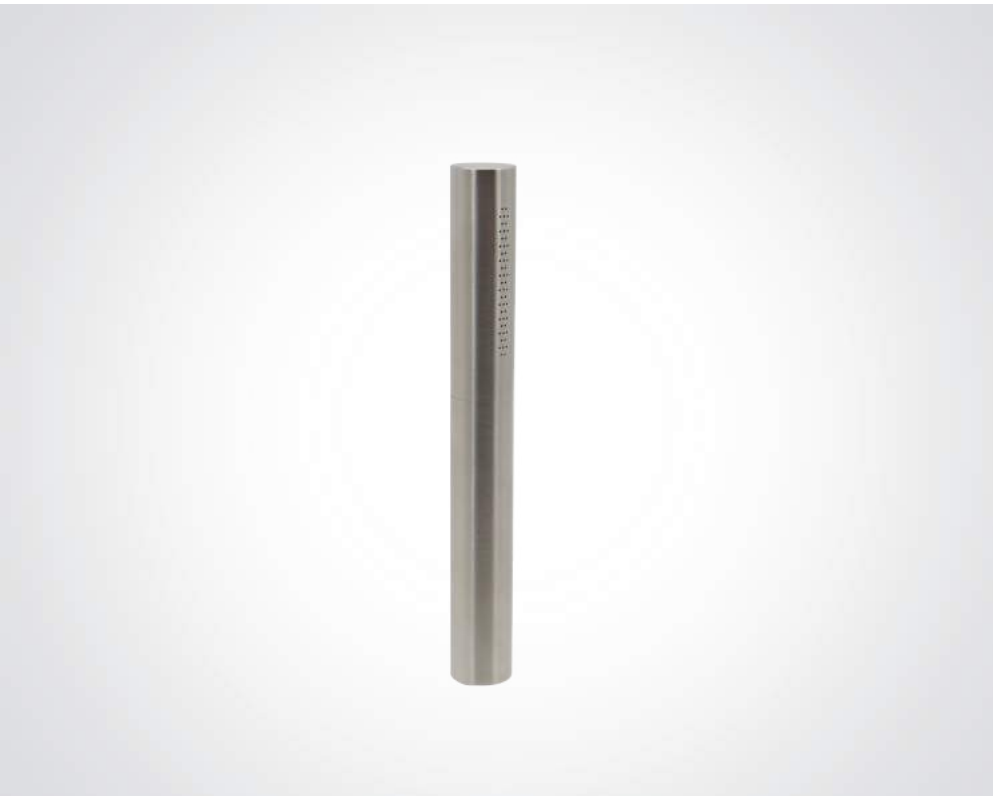
- › 150cm Long flexible stainless steel shower hose - designed to work with our DB3020
- › Prestigious design for high quality shower rooms
- › End nuts constructed from high grade 316 stainless steel, hose from 304 grade stainless steel and internal tube made of EPDM
- › WRAS approved

LENGTH **150CM**

PRODUCT CODES

DB3041 - Dolphin shower hose

DB3020 - Dolphin Hand held shower head



DB3020

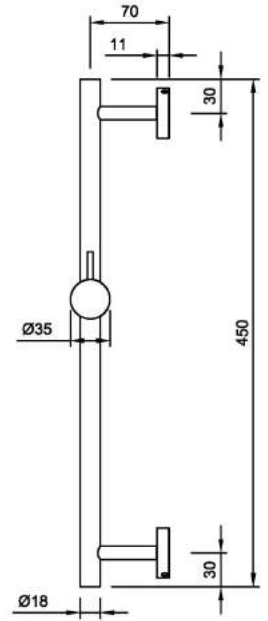
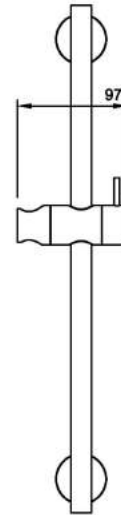
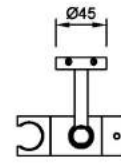
DOLPHIN HAND HELD SHOWER HEAD

- > Constructed from high grade stainless steel
- > Available in satin and polished stainless steel finishes
- > To be used with DB3041 shower hose (purchased seperately)
- > 1/2" connection
- > Flow regulators for 6 litres per minute and 9 litres per minute included as standard (but not fitted)
- > Also available with flow regulators for 4 Litres per minute (DB58863410000) and 5 litres per minute (DB58863510000)

HEIGHT	185MM
DIAMETER	23MM

PRODUCT CODES

- DB3020.1** - Satin stainless shower head
- DB3020.2** - Mirror polished shower head
- DB3020.3** - Satin PVD shower head
- DB3020.6** - Ceramic coated shower head
- DB3041** - Dolphin shower hose

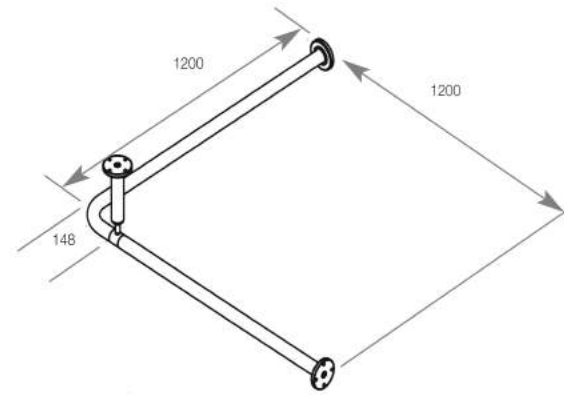
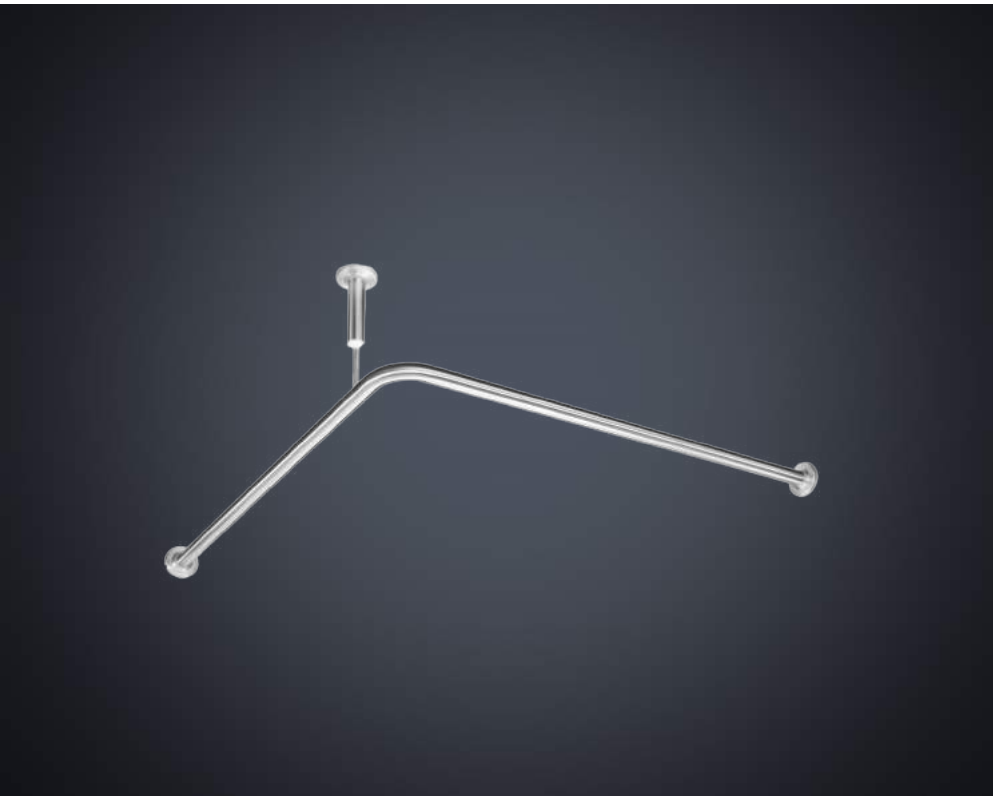


DB3090.450

DOLPHIN BLUE SHOWER SLIDER RAIL AND HOLDER

- > Dolphin Blue Shower Slider Rail and Holder Assembly consisting of two wall mounting brackets with concealed fixings, riser rail and shower head holder
- > Complements most of our other Dolphin taps and fittings
- > Available to be ceramic coated
- > High quality brass construction
- > Suitable for all water systems
- > 2 year parts and labour guarantee

WIDTH	97MM
RAIL DIAMETER	18MM
HEIGHT	450MM
PROJECTION	79MM



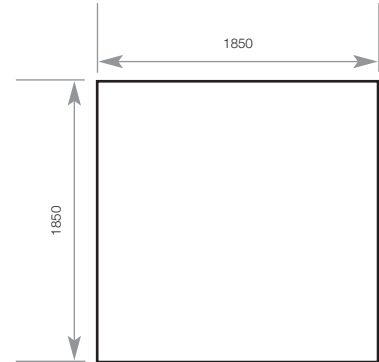
DP680300

DOLPHIN CORNER SHOWER CURTAIN RAIL

- › Corner Shower Curtain Rail*
- › Tubes are manufactured in a robust, easy to clean stainless steel, satin or textured finish
- › TUV certified in accordance with DIN EN 12182, and CE marked in accordance with 93/42 EEC
- › Capable of supporting up to 125kg
- › Outer diameter of tubes 32mm for an ergonomic grip
- › Bend radius of 75mm
- › Clearance from wall - 106mm
- › Four point wall mounting plates 4mm thick
- › Concealed fixings 75mm in diameter, anti-theft, with silicone sealing ring at tube joint

WIDTH	1200MM
PROJECTION	1200MM

*Ceiling stay not included



BC5083-14

DOLPHIN SHOWER CURTAIN

- > White shower curtain
- > 4oz weighted white polyester
- > Hooks are not included with curtain
- > 12 hooks required per curtain

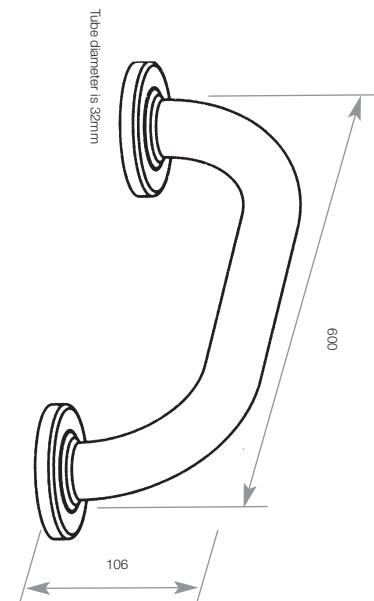
HEIGHT	1830 MM
WIDTH	1830 MM



BC5083-13

DOLPHIN CURTAIN HOOKS BRASS CHROME PLATED

› Use with BC5083-11 Dolphin corner shower rail



DP600600 / DP600610

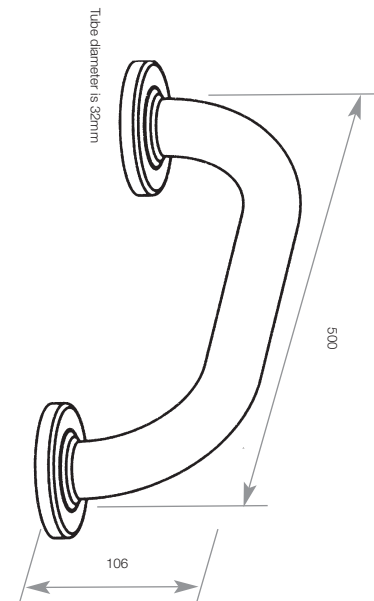
DOLPHIN GRAB RAIL

- > Tubes are manufactured in a robust, easy to clean stainless steel, satin or textured finish
- > All rails TUV certified in accordance with DIN EN 12182, and CE marked in accordance with 93/42 EEC
- > All rails capable of supporting up to 125kg
- > Outer diameter of tubes 32mm for an ergonomic grip
- > Bend radius of 75mm
- > Clearance between rail and wall 74mm
- > Wall mounting - Grab rails with 4-point mounting plate - Support rails with 6-point mounting plate; all mounting plates 4mm thick
- > Concealed fixings 75mm in diameter; anti-theft, with silicone sealing ring at tube joint

HEIGHT	600 MM
DIAMETER	32 MM
PROJECTION	90 MM

PRODUCT CODES

> 300mm Brushed stainless steel	DP600300
> 300mm Textured stainless steel	DP600310
> 400mm Brushed stainless steel	DP600400
> 400mm Textured stainless steel	DP600410
> 500mm Brushed stainless steel	DP600500
> 500mm Textured stainless steel	DP600510
> 600mm Brushed stainless steel	DP600600
> 600mm Textured stainless steel	DP600610
> 1000mm Brushed stainless steel	DP601000
> 1000mm Textured stainless steel	DP601010



DP600500 / DP600510

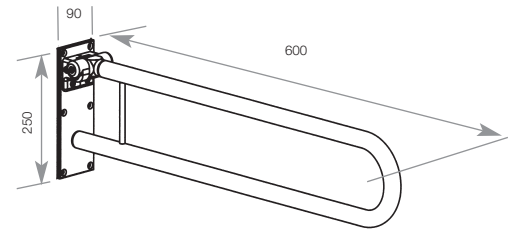
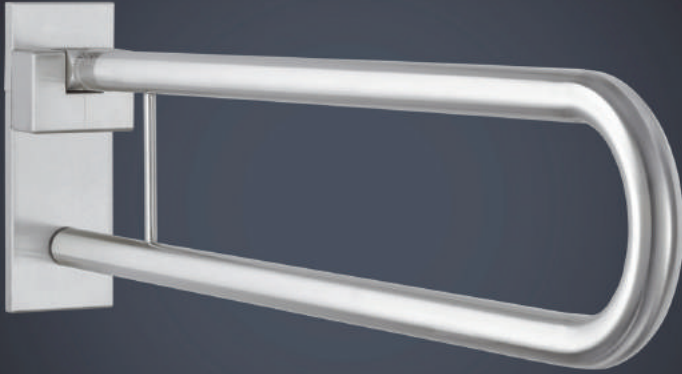
DOLPHIN GRAB RAIL

- > Tubes are manufactured in a robust, easy to clean stainless steel, satin or textured finish
- > All rails TUV certified in accordance with DIN EN 12182, and CE marked in accordance with 93/42 EEC
- > All rails capable of supporting up to 125kg
- > Outer diameter of tubes 32mm for an ergonomic grip
- > Bend radius of 75mm
- > Clearance between rail and wall 74mm
- > Wall mounting - Grab rails with 4-point mounting plate - Support rails with 6-point mounting plate; all mounting plates 4mm thick
- > Concealed fixings 75mm in diameter; anti-theft, with silicone sealing ring at tube joint

HEIGHT	500 MM
DIAMETER	32 MM
PROJECTION	90 MM

PRODUCT CODES

> 300mm Brushed stainless steel	DP600300
> 300mm Textured stainless steel	DP600310
> 400mm Brushed stainless steel	DP600400
> 400mm Textured stainless steel	DP600410
> 500mm Brushed stainless steel	DP600500
> 500mm Textured stainless steel	DP600510
> 600mm Brushed stainless steel	DP600600
> 600mm Textured stainless steel	DP600610
> 1000mm Brushed stainless steel	DP601000
> 1000mm Textured stainless steel	DP601010



DP670100 / DP670110

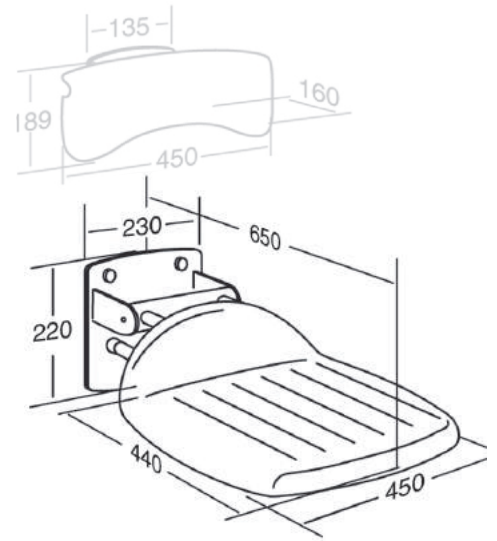
DOLPHIN SUPPORT RAIL – HINGED

- > Hinged support rail
- > Tubes are manufactured in a robust, easy to clean stainless steel, satin or textured finish
- > All rails TUV certified in accordance with DIN EN 12182, and CE marked in accordance with 93/42 EEC
- > All rails capable of supporting up to 125kg
- > Outer diameter of tubes 32mm for an ergonomic grip
- > Bend radius of 75mm
- > Clearance from wall - 106mm
- > Wall mounting - Grab rails with 4-point mounting plate - Support rails with 6-point mounting plate; all mounting plates 4mm thick
- > Concealed fixings 75mm in diameter; anti-theft, with silicone sealing ring at tube joint

HEIGHT	250 MM
WIDTH	90 MM
PROJECTION	600 MM

PRODUCT CODES

> 600mm Satin stainless steel	DP670100
> 600mm Textured stainless steel	DP670110
> 700mm Satin stainless steel	DP670200
> 700mm Textured stainless steel	DP670210
> 850mm Satin stainless steel	DP670300
> 850mm Textured stainless steel	DP670310



BC5083-33

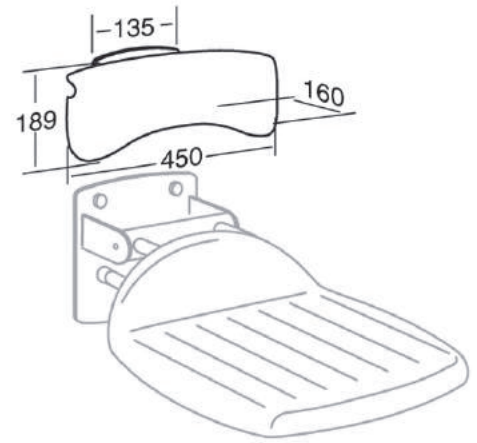
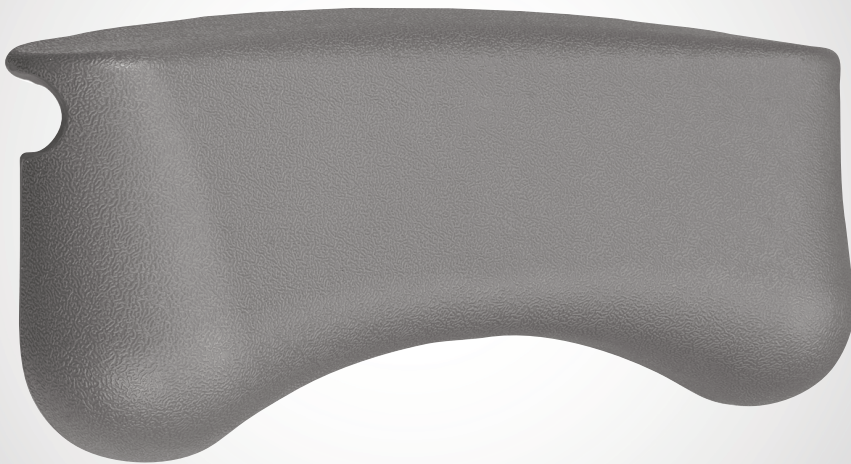
DOLPHIN SHOWER SEAT

- > Back rest for folding shower seat, back rest pale grey
- > Includes fixing kit for brick wall
- > Fixed mounting
- > The wall profile is made of diecast aluminium, and the backrest is made of vacuum moulded polyethylene (PE)
- > Five year warranty
- > See BC5083-34 for shower back rest

HEIGHT	220 MM
WIDTH	450 MM
PROJECTION	650 MM

PRODUCT CODES

- > **BC5083-33** Dolphin Shower Seat
- > **BC5083-34** Dolphin Shower Back Rest



BC5083-34

DOLPHIN SHOWER BACK REST

- > Back rest for folding shower seat, back rest pale grey
- > Includes fixing kit for brick wall
- > Adjustability Fixed mounting
- > Materials The wall profile is made of diecast aluminium, and the backrest is made of vacuummoulded polyethylene (PE)
- > Dolphin five year warranty
- > See BC5083-33 for shower seat

HEIGHT	189 MM
WIDTH	450 MM
PROJECTION	160 MM

PRODUCT CODES

- > **BC5083-33** Dolphin Shower Seat
- > **BC5083-34** Dolphin Shower Back Rest



BC5083-121

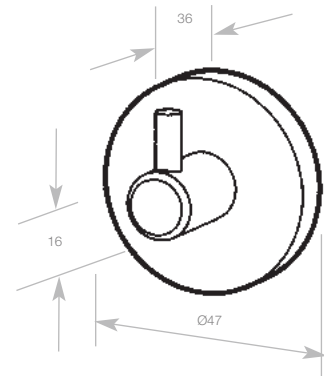
STAINLESS STEEL DISABLED ALARM SYSTEM WITH PULL CORD

- › Essential for every public accessible washroom
- › Included in all Dolphin Doc M shower and WC room sets
- › Available in white plastic or satin stainless steel
- › Doc M compliant

PRODUCT CODES

BC5083-120 - White Plastic Disabled Alarm System With Pull Cord

BC5083-121 - Stainless Steel Disabled Alarm System With Pull Cord



DP7102

DOLPHIN ROBE HOOK

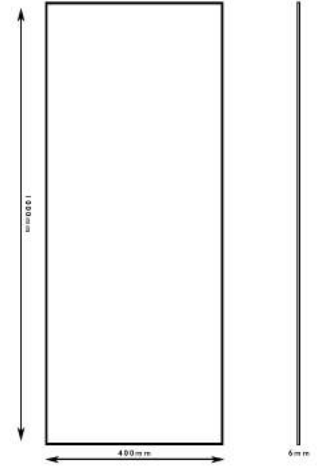
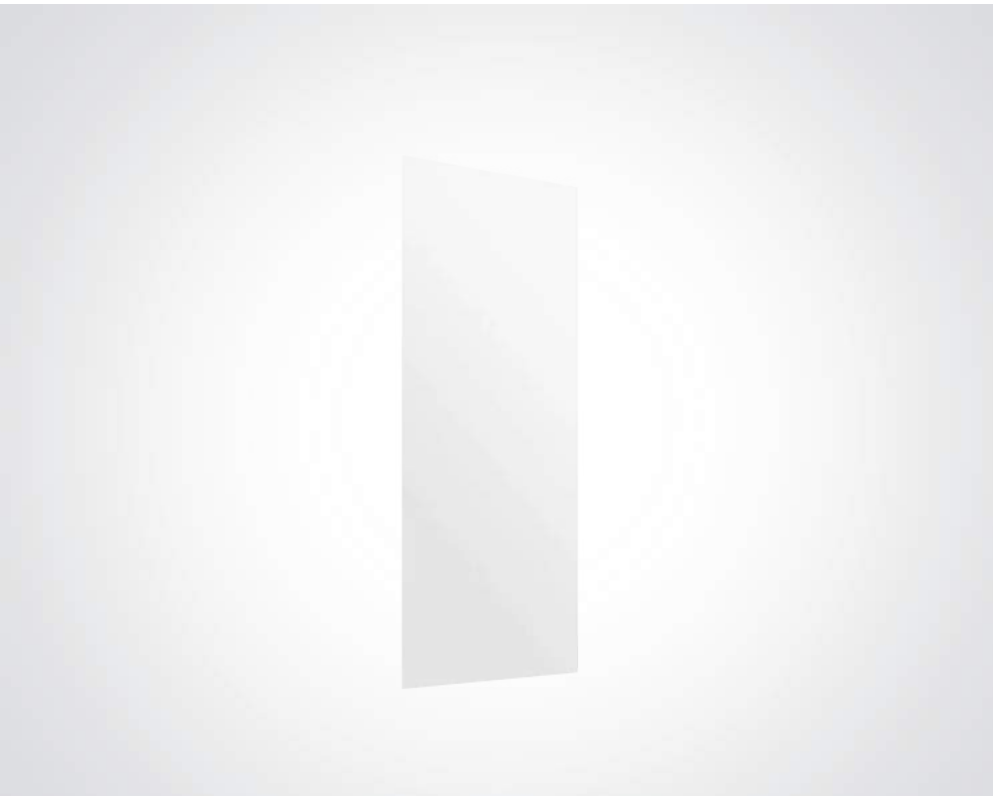
- › Superior quality and timeless design for prestigious washrooms
- › Easy-care 18/10 chrome nickel stainless steel robe hook
- › Anti-theft, robust four-point wall fixing
- › See also DP 7103 double robe hook
- › Available in satin or polished stainless steel

DIAMETER	47 MM
PROJECTION	36 MM

PRODUCT CODES

- › Double hook version of this product see

DP3103



BC5083-101

DOLPHIN SAFETY BACKED MIRROR

- > Safety backed glass mirror
- > Suitable for accessible washrooms and shower rooms
- > 1000mm x 400mm x 6mm
- > Frameless
- > Bespoke options available

HEIGHT	1000MM
WIDTH	400MM
THICKNESS	6MM