

PRESTIGE DOC M WC PACK – BACK TO WALL

(Click on product code or page number to view Datasheet)

DP6601/L	Page 2
DP6601 Pack contains:	
DS213.150.150 Tap x1	Page 3
AL0220TMV3 Thermostatic Mixing Valve x1	Page 4
DC1140R/L Basin x1	Page 5
DB790-316 Waste Trap x1	Page 6
DB793S Waste Grate x1	Page 7
DP2114 Toilet Tissue Dispenser x1	Page 8
DP7504 Toilet Brush x1	Page 9
DP7103 Coat Hooks x2	Page 10
DP1106E Soap Dispenser x1	Page 11
DP3106 Paper Towel Dispenser x1	Page 12
BC2008 Hand Dryer x1	Page 13
DP5104 Waste Bin x1	Page 14
BC750 400mm shelf x1	Page 15
BC751 200mm shelf x1	Page 16
BC5083-121 Alarm Pull Cord x1	Page 17
DP600600 Grab Bar 600 mm x4	Page 18
DP600500 Grab Bar 450 mm x1	Page 19
DP670300 Drop Down Hinged Support Rail x1	Page 20
BC5083-07-BLK Back Rest x1	Page 21
DB5510.P Concealed Cistern x1	Page 22
DB5550.P1 Flush Plate x1 (not touch free)	Page 23
DB590 Toilet Pan x1	Page 24
DB591-GRY Toilet Seat Ring - Grey Contrasting x1	Page 25
BC5083-101 Mirror 1000mm x 400mm x1	Page 26

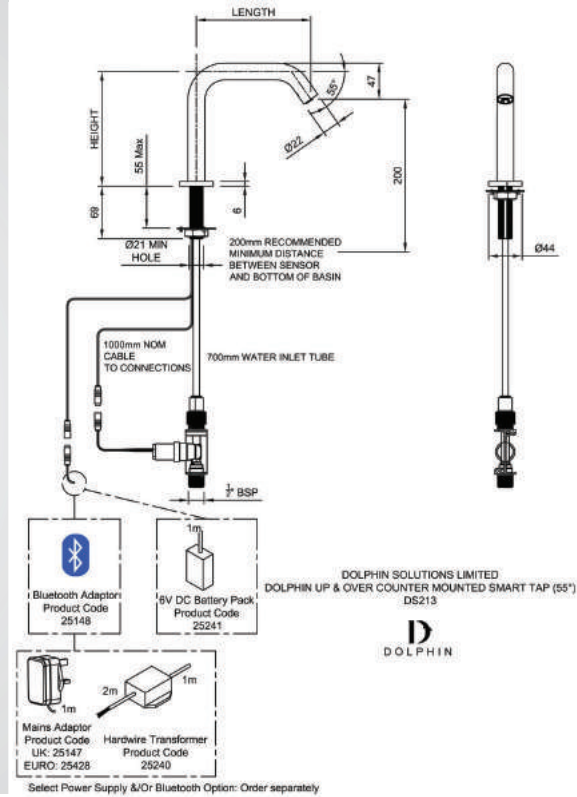
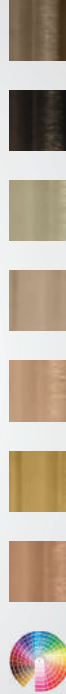


DP6601

PRESTIGE DOC M WC PACK – BACK TO WALL

- › Full pack of products and components to install an accessible toilet and washroom for Doc M compliance
- › Options for both right hand and left hand wheelchair transfe
- › Superior quality and timeless design for prestigious washroom
- › High quality satin stainless steel WC pac
- › TMV3 and WRAS approved fitting
- › Pack is delivered in one package for easy installatio
- › Includes handmade Prestige grab rails and accessories for ultimat durability
- › White toilet seat also available as an option - please contact th team for more information
- › To assist blind or partially sighted persons in navigating th washroom there should be a contrast difference of 30 between the LRV (Light Reflective Value) of fixtures/fittings and surrounding surfaces as well as between floors, walls, doors and ceilings. Contact the Dolphin Technical Team for assistance.
- › Complies with the following certifications; Doc M, WRA
- › DP6601 pack contains
- › DS213.150.150 Tap x
- › AL0220 TMV3 Thermostatic Mixing Valve x
- › DC1140R/L Basin x
- › DB790-316 Waste Trap x
- › DB793S Waste Grate x
- › DP2114 Toilet Tissue Dispenser x
- › DP7504 Toilet Brush x
- › DP7103 Coat Hooks x
- › DP1106E Soap Dispenser x
- › DP3106 Paper Towel Dispenser x
- › BC2008 Hand Dryer x
- › DP5104 Waste Bin x
- › BC750 400mm shelf x
- › BC751 200mm shelf x
- › BC5083-121 Alarm Pull Cord x
- › DP600600 Grab Bar 600 mm x
- › DP600500 Grab Bar 450 mm x
- › DP670300 Drop Down Hinged Support Rail x
- › BC5083-07-BLK Back Rest x
- › DB5510.P Concealed Cistern x
- › DB5550.P.I Flush Plate x1 (not touch free
- › DB590 Toilet Pan x
- › DB591-GRY Toilet Seat Ring - Grey Contrasting x
- › BC5083-101 Mirror 1000mm x 400mm x





DS213

DOLPHIN SLIMLINE INFRARED BASIN TAP

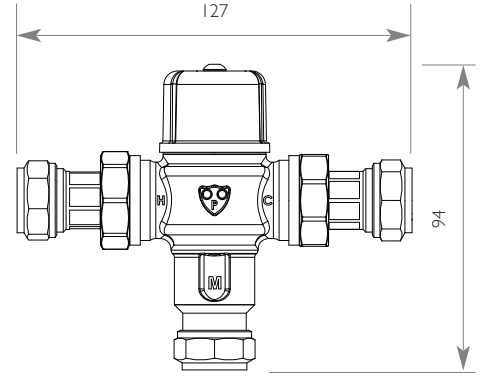
- › Dolphin Up and Over Thru Counter Mounted Inform Tap
- › Manufactured from high-quality, highly durable 1.4401 (316) Marine grade stainless steel
- › Self-monitoring analysis and recording technology (smart) allows the Facilities Manager to connect point to point via the Dolphin Inform App when used with the optional Bluetooth Adaptor (Sold separately – Order product code 25148)
- › Infrared Touch Free Tap – for ultimate hygiene – prevents cross contamination – sensor mounted in end of 55° spout
- › Standard Flow rate – maximum nominal 3.0 litres/minute with the flow regulator (fitted adjacent to solenoid) at any pressure between 0.5 and 6.0 bar, but typically at 3 bar
- › Other flow rates available – 1.0 litre/minute, 2.0 litres/minute and 4.0 litres/minute – please specify clearly if one of these alternative flowrates are required.
- › Operating pressure: 0.5 bar minimum to 8.0 bar maximum
- › Water supply: single inlet cold or pre-mixed – a TMV2 or TMV3 thermostatic mixing valve is recommended for premixed applications
- › Maximum operating water temperature - 60°C
- › Nominal current: Less than 1mA (Less than 25mA with Bluetooth)
- › Nominal power: Less than 1W
- › Security time can be adjusted via the App – default 20 seconds (60 seconds max)
- › IP68 connector
- › Power Source: Plug-in 9 Volt transformers, hard wired transformers, or battery packs
- › Recommended minimum distance between sensor and the bottom of basin = 200mm
- › WRAS approved
- › Comes with laminar flow feature to avoid splashing
- › Comes as standard with 24 hour line purge/hygiene flush feature, with alterable timings

HEIGHT	150/200MM
PROJECTION	150/200MM
DIAMETER	22MM



NOTE: Highly reflective surfaces directly beneath the sensor of this product, in particular polished finish basin wastes/strainers, will cause false activation of the infrared sensors and cause malfunction.

TECHNICAL HELPLINE 01424 202224
DOLPHINSOLUTIONS.CO.UK

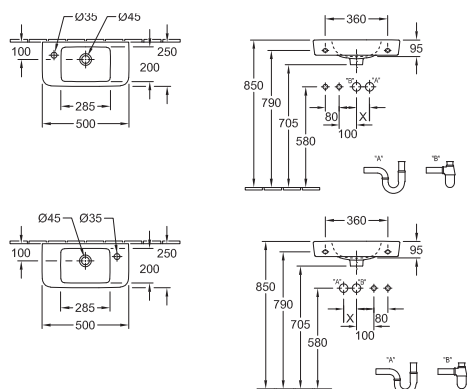


AL0220

DOLPHIN TMV3 INTEGRATED THERMOSTATIC MIXING VALVE

- › WRAS Approved product
- › Anti scald mixing valves are designed to eliminate the risk of scalding and are suitable for use in a wide range of public health care, social, commercial and domestic applications.
- › Temperature pre-set to 43°C, but easily adjustable on site. Temperature range 38°-46°C.
- › Working pressure 0.2-10bar.
- › BS7942
- › BS EN 1111:2001
- › BS EN 1287:2001
- › When used as TMV3 valve meets the requirements of NHS model engineering specification DO8.
- › Supplied with pre fitted strainers and non return valves.
- › UK manufactured
- › WRAS Approved product certificate number – 1907010

WIDTH 127 MM
HEIGHT 94 MM



DCI140R/L

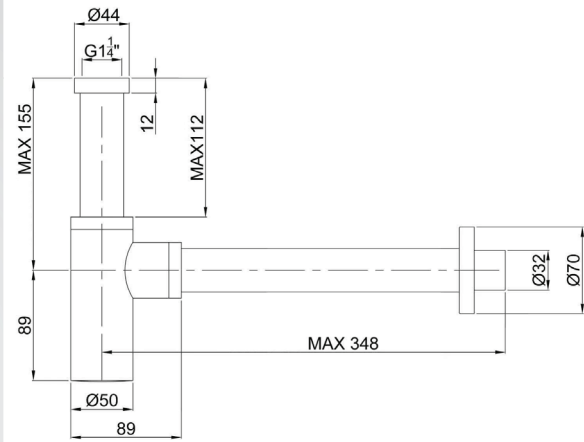
DOLPHIN ANGULAR COMPACT WASHBASIN

- > Stylish and functional compact basin
- > Width of 500mm, depth of 250mm and height of 95mm
- > Sanitary ceramic is especially long-lasting and easy to clean
- > Doc M compliant

WIDTH	500 MM
DEPTH	250 MM
HEIGHT	95 MM

PRODUCT CODES

- > DCI140L Left hand tap basin
- > DCI140R Right hand tap basin



DB790

DOLPHIN BLUE WASTE TRAP

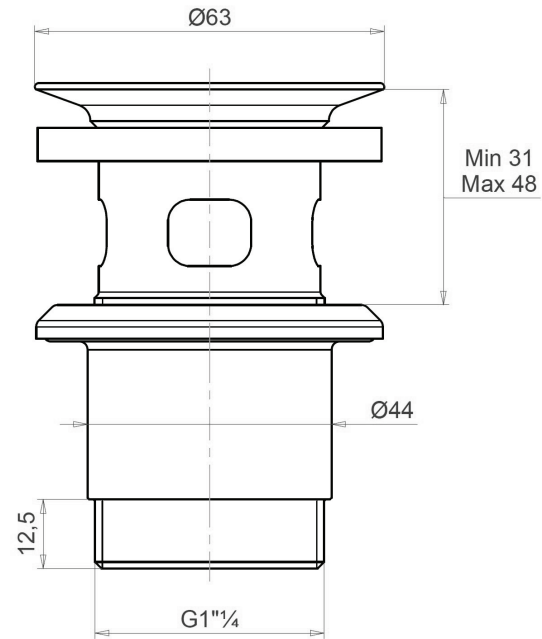
- › 32mm / G1 1/4" high quality chrome-plated brass bottle trap
- › Also available in 316 stainless steel
- › Suitable for sinks and basins.
- › Telescopic, with a 70mm wall seal
- › Waste outlet length: maximum 348mm
- › Product Height: 20-112mm telescopic
- › Waste inlet and outlet tubes can be cut down to fit smaller dimensions
- › Bottle Diameter: 50mm

PRODUCT CODES

DB790S - Chrome plated brass trap, satin finish

DB790C - Chrome plated brass trap, polished finish

DB790-316 - 316 Stainless steel trap, satin finish



DB793S

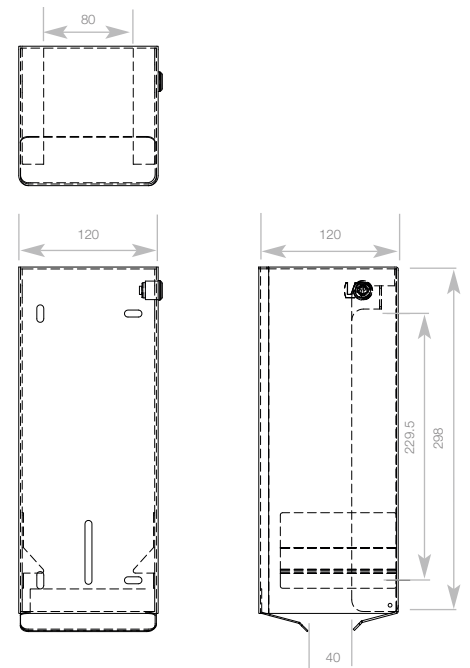
DOLPHIN BLUE WASTE DRAIN - SLOTTED

- › High quality chrome plated brass construction
- › Brushed satin and mirror polish finishes available
- › Also available with powder coating in any RAL colour (enquire for more detail)
- › Designed for fitting with a sink with an overflow

PRODUCT CODES

DB793S - Satin slotted waste drain

DB794S - Satin unslotted waste drain

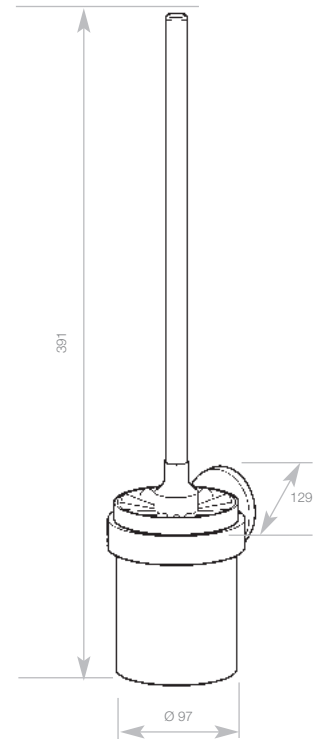


DP2114

DOLPHIN BULK PACK TOILET TISSUE DISPENSER

- > Superior quality and timeless design for prestigious washrooms
- > Easy-care 18/10 chrome nickel stainless steel
- > Satin finish, welded corners - no sharp edges
- > Housing swings down for refilling
- > Inspection slot to indicate refill level
- > Capacity 500 tissues
- > Ideal for prestigious accessible washrooms
- > Also available in polished stainless steel or plastic powder coated to a colour of your choice

HEIGHT	298 MM
WIDTH	120 MM
PROJECTION	120 MM



DP7504

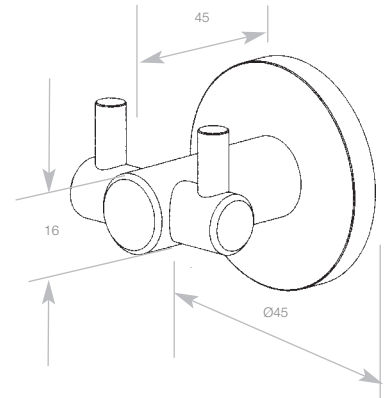
DOLPHIN TOILET BRUSH SET

- › Superior quality and timeless design for prestigious washrooms
- › Easy-care 18/10 chrome nickel stainless steel
- › Satin finish
- › Anti-theft, robust four-point wall fixing
- › Replaceable brush head and chrome nickel steel handle
- › Container diameter 89mm
- › Available in satin or polished stainless steel

HEIGHT	380 MM
DIAMETER	89 MM
PROJECTION	100 MM

PRODUCT CODES

- › Satin version see DP7104
- › Polished version see DP7104PSS
- › Replacement head see DP7104BRUSH



DP7103

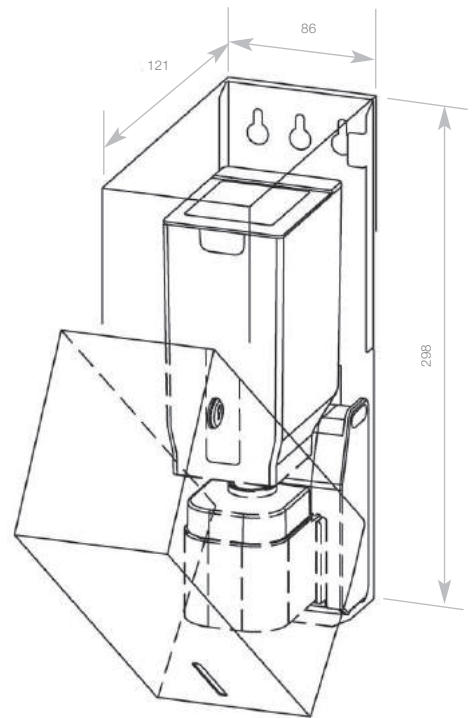
DOLPHIN ROBE HOOK

- › Superior quality and timeless design for prestigious washrooms
- › Easy-care 18/10 chrome nickel stainless steel robe hook
- › Satin stainless steel
- › Anti-theft, robust two-point wall fixing
- › Available in satin or polished stainless steel

sHEIGHT	45 MM
WIDTH	45 MM
PROJECTION	45 MM

PRODUCT CODES

- › Same product but polished finish see **DP7101PSS**
- › Single robe hook see **DP7102**

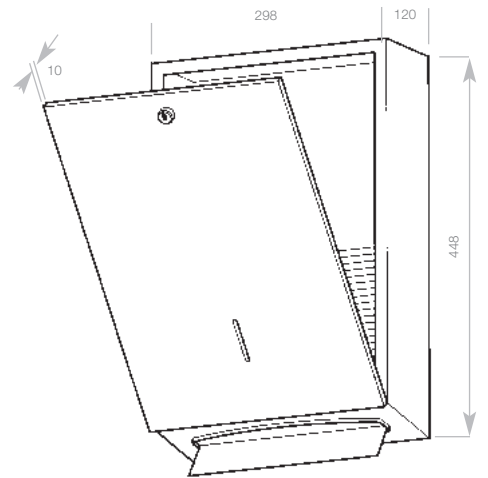


DPI106E

DOLPHIN SOAP DISPENSER

- › Touch-free, infrared soap dispenser
- › Superior quality and timeless design for prestigious washrooms
- › Easy-care 316 Stainless Steel
- › Also available in polished stainless steel or plastic powder coated to a colour of your choice
- › Satin finish, welded corners, no sharp edges
- › Lockable
- › Non-drip soap pump
- › Uses Standard Liquid Hand Soap and Anti Bacterial Soap or Hand Lotions
- › Capacity 850ml tank
- › Battery operated (2 x LR14 baby batteries), up to 3000 activations
- › Warning display for low battery level
- › 3V main supply available as an option

HEIGHT	298 MM
WIDTH	86 MM
PROJECTION	121 MM

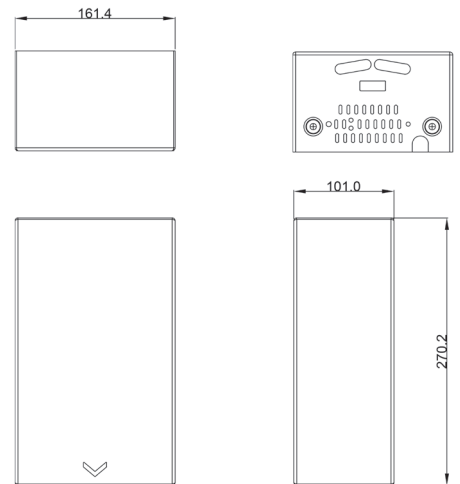


DP3106

DOLPHIN PAPER TOWEL DISPENSER

- › Superior quality and timeless design for prestigious washrooms
- › Easy-care 18/10 chrome nickel stainless steel
- › Satin finish, welded corners – no sharp edges
- › Lockable
- › Guide rails for paper towels
- › Holds 600 C-fold towels
- › Stylish paper towel viewing indicator
- › Also available in polished stainless steel or plastic powder coated to a colour of your choice

HEIGHT	448 MM
WIDTH	298 MM
PROJECTION	120 MM



BC2008

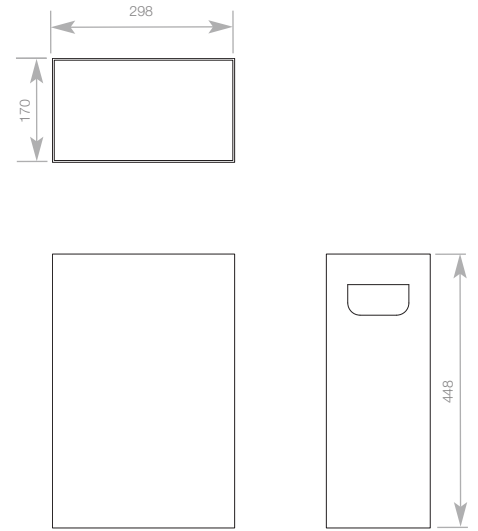
DOLPHIN HIGH SPEED MINI-ECONOMY HAND DRYER

- › Total Power 500-900W, Stand-by power less than 0.5W
- › Motor 250/450W
- › Heater 250-450W
- › Sound level 76.6dB @ 1 metre
- › IP Rating IP24, suitable for use in wet areas
- › Motor rpm 29000
- › Air Speed 342-414 km/h
- › Air Volume 80 m³/h
- › Brush Life 288k uses (10 seconds)
- › Weight 3.3 kg
- › Certificate UL/cUL, CE, GS, RoHS, CB
- › 3 Year limited warranty
- › Dries hands in only 10-12 seconds with heater on and full speed, dramatically reducing CO₂ emissions
- › Cover – satin stainless steel
- › Backplate – electro-galvanised commercial steel for excellent vandal-resistance
- › Adjustable Speed and Sound Control
- › Heater on/off switch
- › Blue LED light indicator optimises drying efficiency
- › Cut-Off Time 60 seconds
- › Carbon filter with S/S holder

HEIGHT	270.1MM
WIDTH	161.4MM
PROJECTION	101MM

PRODUCT CODES

- BC2008** - High speed mini economy hand dryer
- BC2009** - High speed mini economy hand dryer with HEPA filter

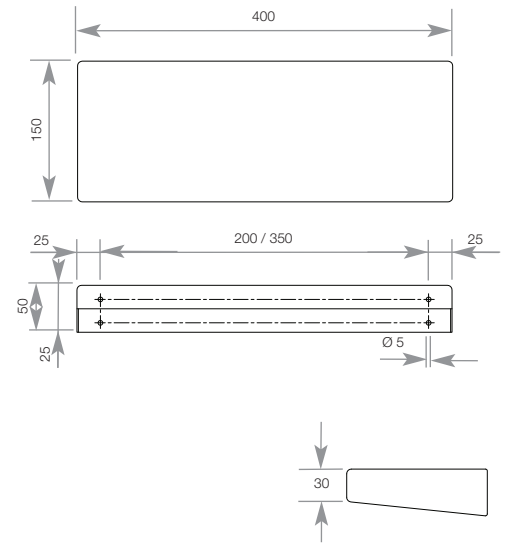


DP5104

DOLPHIN WASTE BIN

- > Full metal housing in robust, easy-to-clean Satin Stainless Steel AISI 304
- > Rounded vertical corners
- > Equipped with fabric standbag
- > Simple mounting: line up with tiles and fasten with 2 screws
- > 23 litre capacity

HEIGHT	448 MM
WIDTH	298 MM
PROJECTION	170 MM



BC750

DOLPHIN STAINLESS STEEL SHELF

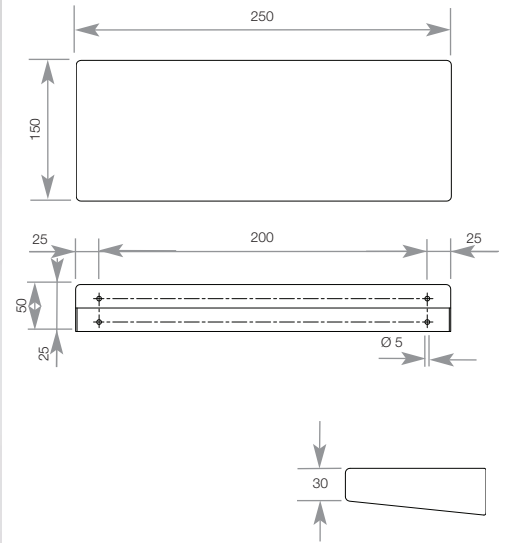
- > Prestige quality
- > Almost vandal proof
- > Ideal for public or prestigious washrooms
- > Suitable for disabled washrooms

HEIGHT	45 MM
WIDTH	400 MM
PROJECTION	150 MM

PRODUCT CODES

- > For 250mm long version see

BC751



BC751

DOLPHIN STAINLESS STEEL SHELF

- > Prestige quality
- > Almost vandal proof
- > Ideal for public or prestigious washrooms
- > Suitable for disabled washrooms

HEIGHT	45 MM
WIDTH	250 MM
PROJECTION	150 MM

PRODUCT CODES

- > For 400mm long version see

BC750



BC5083-121

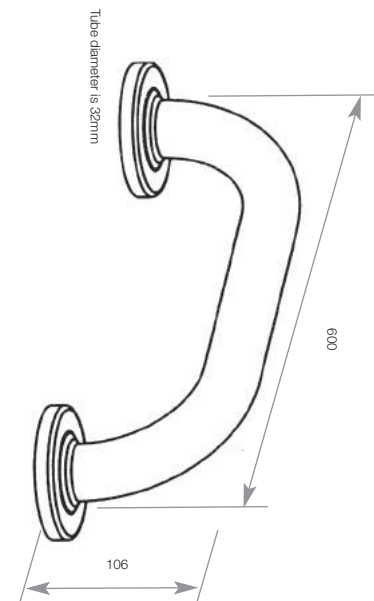
STAINLESS STEEL DISABLED ALARM SYSTEM WITH PULL CORD

- › Essential for every public accessible washroom
- › Included in all Dolphin Doc M shower and WC room sets
- › Available in white plastic or satin stainless steel
- › Doc M compliant

PRODUCT CODES

BC5083-120 - White Plastic Disabled Alarm System With Pull Cord

BC5083-121 - Stainless Steel Disabled Alarm System With Pull Cord



DP600600 / DP600610

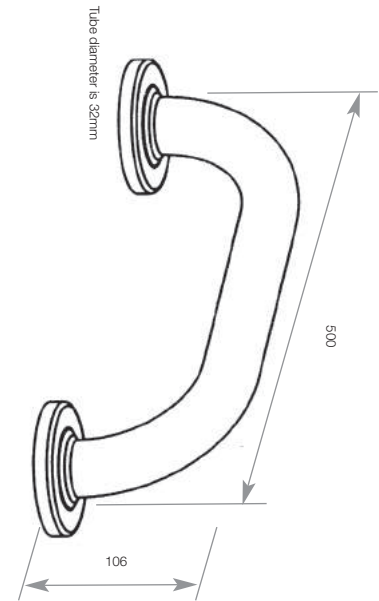
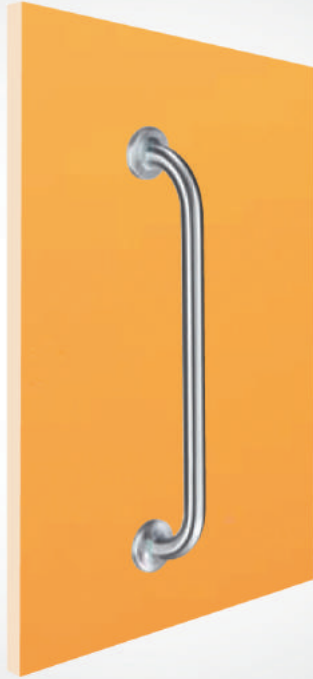
DOLPHIN GRAB RAIL

- > Tubes are manufactured in a robust, easy to clean stainless steel, satin or textured finish
- > All rails TUV certified in accordance with DIN EN 12182, and CE marked in accordance with 93/42 EEC
- > All rails capable of supporting up to 125kg
- > Outer diameter of tubes 32mm for an ergonomic grip
- > Bend radius of 75mm
- > Clearance between rail and wall 74mm
- > Wall mounting - Grab rails with 4-point mounting plate - Support rails with 6-point mounting plate; all mounting plates 4mm thick
- > Concealed fixings 75mm in diameter; anti-theft, with silicone sealing ring at tube joint

HEIGHT	600 MM
DIAMETER	32 MM
PROJECTION	90 MM

PRODUCT CODES

> 300mm Brushed stainless steel	DP600300
> 300mm Textured stainless steel	DP600310
> 400mm Brushed stainless steel	DP600400
> 400mm Textured stainless steel	DP600410
> 500mm Brushed stainless steel	DP600500
> 500mm Textured stainless steel	DP600510
> 600mm Brushed stainless steel	DP600600
> 600mm Textured stainless steel	DP600610
> 1000mm Brushed stainless steel	DP601000
> 1000mm Textured stainless steel	DP601010



DP600500 / DP600510

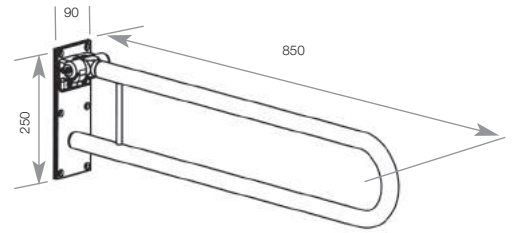
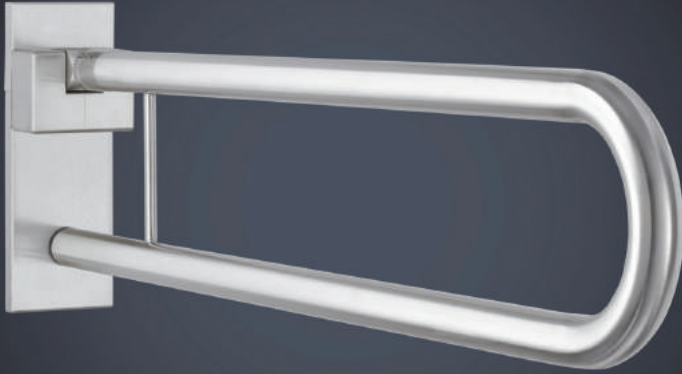
DOLPHIN GRAB RAIL

- > Tubes are manufactured in a robust, easy to clean stainless steel, satin or textured finish
- > All rails TUV certified in accordance with DIN EN 12182, and CE marked in accordance with 93/42 EEC
- > All rails capable of supporting up to 125kg
- > Outer diameter of tubes 32mm for an ergonomic grip
- > Bend radius of 75mm
- > Clearance between rail and wall 74mm
- > Wall mounting - Grab rails with 4-point mounting plate - Support rails with 6-point mounting plate; all mounting plates 4mm thick
- > Concealed fixings 75mm in diameter; anti-theft, with silicone sealing ring at tube joint

HEIGHT	500 MM
DIAMETER	32 MM
PROJECTION	90 MM

PRODUCT CODES

> 300mm Brushed stainless steel	DP600300
> 300mm Textured stainless steel	DP600310
> 400mm Brushed stainless steel	DP600400
> 400mm Textured stainless steel	DP600410
> 500mm Brushed stainless steel	DP600500
> 500mm Textured stainless steel	DP600510
> 600mm Brushed stainless steel	DP600600
> 600mm Textured stainless steel	DP600610
> 1000mm Brushed stainless steel	DP601000
> 1000mm Textured stainless steel	DP601010



DP670300 / DP670310

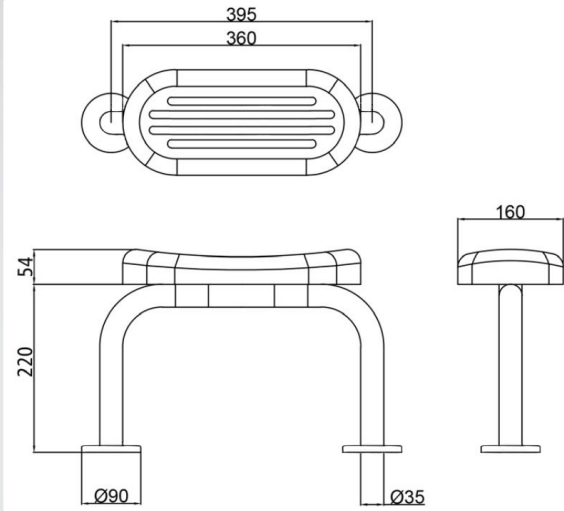
DOLPHIN SUPPORT RAIL – HINGED

- > Hinged support rail
- > Tubes are manufactured in a robust, easy to clean stainless steel, satin or textured finish
- > All rails TUV certified in accordance with DIN EN 12182, and CE marked in accordance with 93/42 EEC
- > All rails capable of supporting up to 125kg
- > Outer diameter of tubes 32mm for an ergonomic grip
- > Bend radius of 75mm
- > Clearance from wall - 106mm
- > Wall mounting - Grab rails with 4-point mounting plate - Support rails with 6-point mounting plate; all mounting plates 4mm thick
- > Concealed fixings 75mm in diameter; anti-theft, with silicone sealing ring at tube joint

HEIGHT	250 MM
WIDTH	90 MM
PROJECTION	850 MM

PRODUCT CODES

> 600mm Satin stainless steel	DP670100
> 600mm Textured stainless steel	DP670110
> 700mm Satin stainless steel	DP670200
> 700mm Textured stainless steel	DP670210
> 850mm Satin stainless steel	DP670300
> 850mm Textured stainless steel	DP670310



BC5083-07

DOLPHIN PADDED BACKREST

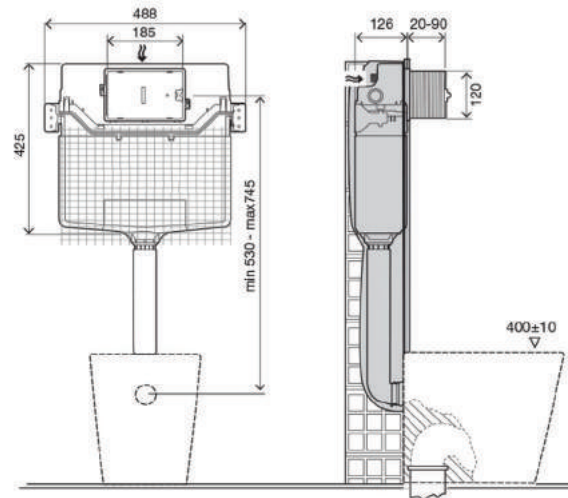
- › High quality stainless steel and vinyl cushion
- › Cushion available in a choice of colours: white, black or grey
- › For powder coated options look for BC5083-07PC
- › Concealed fixings
- › Hard wearing and easy to clean vinyl cushion

WIDTH	400MM
HEIGHT	160MM
PROJECTION	274MM

PRODUCT CODES

BC5083-07 - Stainless steel options

BC5083-07-PC - Powder coated options



DB5510.P

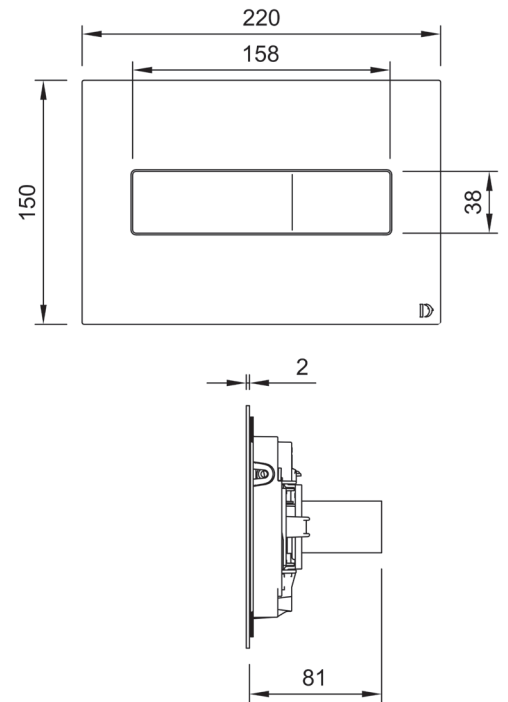
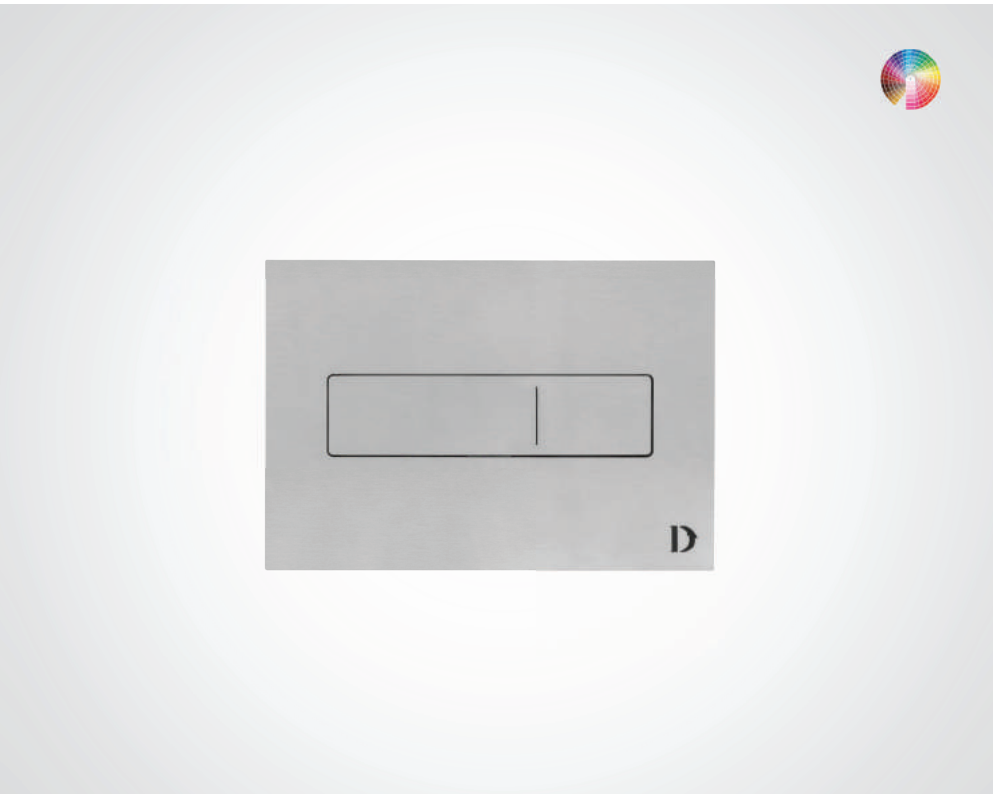
DOLPHIN BLUE 126MM PNEUMATIC CISTERN - NO FRAME

- › Flush cistern to be installed inside the wall and used in combination with floor standing sanitary applications
- › EN14055 Class two compliant
- › WRAS approved inlet valve
- › Incorporates AUKI Backflow arrangement
- › Compliant with DEFRA Interim agreement when used with our DC2006 or DB590 toilet pans
- › Dual flush in-wall cistern compatible with dual flush actuators 6/3 litres (adjustable to 4.5/3)
- › 126mm thickness
- › Pneumatic actuation
- › Equipped with delayed refilling Inlet Valve, (saves up to 9 litres of water per day) and according to BS1212- 4:2016
- › Working pressure from 0.1 to 16 bar
- › Resistance to atmospheric humidity (Hr <90%).
- › Polypropylene (PP) cistern highly resistant and inalterable to thermal stress
- › EN 14055 marking CL2
- › Supplied with anti-condensation lining
- › Net for easier mortar adhesion
- › The Dolphin Delayed Action Inlet Valve only opens and starts to refill the cistern once the flush is complete and the flush valve is closed, saving up to 0.5 litres of water per flush

WIDTH	488MM
HEIGHT	530-745MM
RECESS DEPTH	126MM

PRODUCT CODES

- DB5510.P** - Pneumatic cistern no frame
- DB5511.P** - Pneumatic cistern with frame
- DB5510.E** - Electronic cistern no frame
- DB5511.E** - Electronic cistern with frame



DB5550.P

DOLPHIN BLUE PNEUMATIC FLUSH PLATE

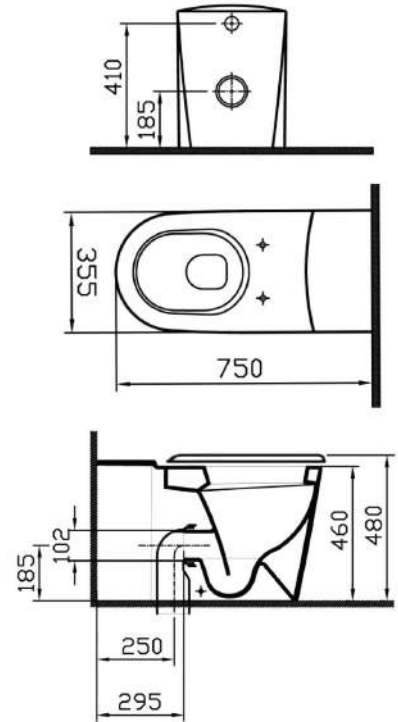
- > High quality design for prestigious locations
- > Dual flush
- > Tilttable Button
- > Actuation force < 20N
- > "Gull-Wing" opening system
- > Compatible with our DB5510.P, DB5521.P and DB5511.P Cisterns

WIDTH	220MM
HEIGHT	150MM
PROJECTION	4MM

PRODUCT CODES

DB5550.P - Pneumatic flush plate

DB5550.M - mechanical flush plate



DB590

DOLPHIN ACCESSIBLE WC

- > Back to wall high quality WC pan
- > Doc M compliant
- > Seat not included

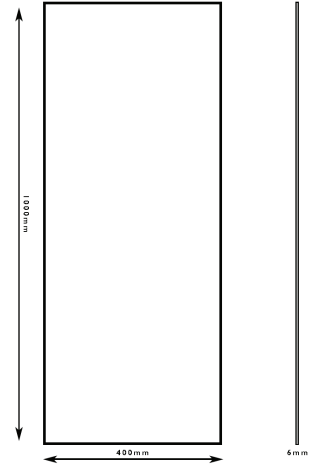
PROJECTION	750MM
WIDTH	355MM
HEIGHT	460MM
SEAT HEIGHT	480MM



DB591-GRY

DOLPHIN TOILET SEAT RING

- > Lidless for Doc M Compliance
- > Fits our DB590 Doc M floor mounted pan
- > Warm touch plastic
- > Stainless steel hinge



BC5083-101

DOLPHIN SAFETY BACKED MIRROR

- > Safety backed glass mirror
- > Suitable for accessible washrooms and shower rooms
- > 1000mm x 400mm x 6mm
- > Frameless
- > Bespoke options available

HEIGHT	1000MM
WIDTH	400MM
THICKNESS	6MM