

ROSELESS DOC M WC PACK – WALL MOUNTED

(Click on product code or page number to view Datasheet)

BC5063-WM_A	Page 2
BC5063-WM_A Pack contains:	
DS213.150.150.1 Tap x1	Page 3
AL0220TMV3 Thermostic Mixing Valve x1	Page 4
DC1140R/L Basin x1	Page 5
DB790-316 Waste Trap x1	Page 6
DB793S Waste Grate x1	Page 7
BC4302 Toilet Tissue Dispenser x1	Page 8
BC9831SS Toilet Brush x1	Page 9
BC725 Coat Hooks x2	Page 10
BC238SS Soap Dispenser x1 (Comes with 1 x HS11.50.72 antibac soap cartridge)	Page 11
BC958 Paper Towel Dispenser x1	Page 12
BC2008 Hand Dryer x1	Page 13
BC951 Waste Bin x1	Page 14
BC750 400mm shelf x1	Page 15
BC751 200mm shelf x1	Page 16
BC5083-121 Alarm Pull Cord x1	Page 17
BC5063-02 Grab Bar 600 mm x4	Page 18
BC5063-01 Grab Bar 450 mm x1	Page 18
BC5023-07SS Drop Down Hinged Support Rail x1	Page 19
BC5064-10-WH Back Rest x1	Page 20
DB5511.P Concealed Cistern x1	Page 21
DB5550.P1 Flush Plate x1	Page 22
DC1300 Toilet Pan x1	Page 23
DC1310-GRY Toilet Seat Ring - Grey Contrasting x1	
25741 Frame for Wall Hung Pan x1	Page 24
BC5083-101 Mirror 1000mm x 400mm x1	Page 25



BC5063-WM-A

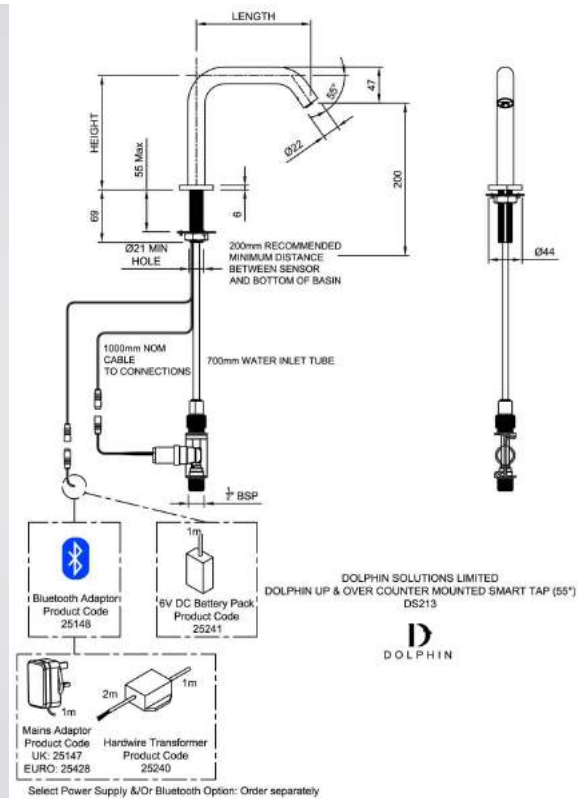
ROSELESS DOC M WC PACK – WALL MOUNTED

- › Roseless wall hung Doc M toilet pack, stainless steel accessories, right or left hand transfer
- › Compliant with Part M of the Building Regulations
- › Complete pack includes all of the items listed below to ensure compliance from specification to installation
- › All items of a co-ordinated design to achieve a consistent aesthetic look throughout the washroom
- › Pack is delivered in one package for easy installation
- › Includes flangeless grab rails for a minimalist appearance
- › White toilet seat also available as an option - please contact the team for more information
- › To assist blind or partially sighted persons in navigating the washroom there should be a contrast difference of 30 between the LRV (Light Reflective Value) of fixtures/fittings and surrounding surfaces as well as between floors, walls, doors and ceilings. Contact the Dolphin Technical Team for assistance.
- › Complies with the following certifications; Doc M
- › BC5063-WM pack contains:
 - › DS213.150.150.1 Tap x1
 - › AL0220 TMV3 Thermostic Mixing Valve x1
 - › DC1140R/L Basin x1
 - › DB790-316 Waste Trap x1
 - › DB793S Waste Grate x1
 - › BC4302 Toilet Tissue Dispenser x1
 - › BC9831SS Toilet Brush x1
 - › BC725 Coat Hooks x2
 - › BC2385S Soap Dispenser x1 (Comes with 1 x HSI1.50.72 antibac soap cartridges)
 - › BC958 Paper Towel Dispenser x1
 - › BC2008 Hand Dryer x1
 - › BC951 Waste Bin x1
 - › BC750 400mm shelf x1
 - › BC751 200mm shelf x1
 - › BC5083-121 Alarm Pull Cord x1
 - › BC5063-02 Grab Bar 600 mm x1
 - › BC5063-01 Grab Bar 450 mm x1
 - › BC5023-07SS Drop Down Hinged Support Rail x1
 - › BC5064-10-WH Back Rest x1
 - › DB5511.P Concealed Cistern x1
 - › DB5550.P.1 Flush Plate x1
 - › DC1300-PAN Toilet Pan x1
 - › DC1310-GRY Toilet Seat Ring - Grey Contrasting x1
 - › 25741 Frame for Wall Hung Pan x1
 - › BC5083-101 Mirror 1000mm x 400mm x1



NOTE: The products in this pack individually comply with regulations; However, to be properly compliant as a pack they must be installed correctly, and the responsibility for this falls upon the installer and not Dolphin Solutions Ltd.

TECHNICAL HELPLINE 01424 202224
DOLPHINSOLUTIONS.CO.UK



DS213

DOLPHIN SLIMLINE INFRARED BASIN TAP

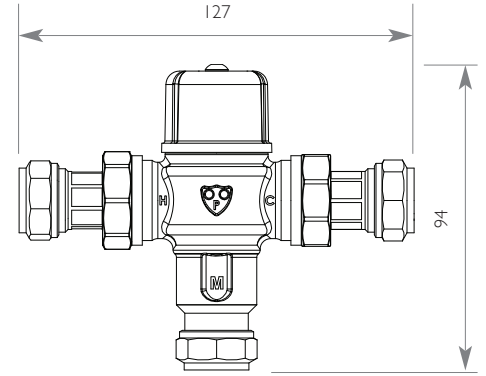
- › Dolphin Up and Over Thru Counter Mounted Inform Tap
- › Manufactured from high-quality, highly durable 1.4401 (316) Marine grade stainless steel
- › Self-monitoring analysis and recording technology (smart) allows the Facilities Manager to connect point to point via the Dolphin Inform App when used with the optional Bluetooth Adaptor (Sold separately – Order product code 25148)
- › Infrared Touch Free Tap – for ultimate hygiene – prevents cross contamination – sensor mounted in end of 55° spout
- › Standard Flow rate – maximum nominal 3.0 litres/minute with the flow regulator (fitted adjacent to solenoid) at any pressure between 0.5 and 6.0 bar, but typically at 3 bar
- › Other flow rates available – 1.0 litre/minute, 2.0 litres/minute and 4.0 litres/minute – please specify clearly if one of these alternative flowrates are required.
- › Operating pressure: 0.5 bar minimum to 8.0 bar maximum
- › Water supply: single inlet cold or pre-mixed – a TMV2 or TMV3 thermostatic mixing valve is recommended for premixed applications
- › Maximum operating water temperature - 60°C
- › Nominal current: Less than 1mA (Less than 25mA with Bluetooth)
- › Nominal power: Less than 1W
- › Security time can be adjusted via the App – default 20 seconds (60 seconds max)
- › IP68 connector
- › Power Source: Plug-in 9 Volt transformers, hard wired transformers, or battery packs
- › Recommended minimum distance between sensor and the bottom of basin = 200mm
- › WRAS approved
- › Comes with laminar flow feature to avoid splashing
- › Comes as standard with 24 hour line purge/hygiene flush feature, with alterable timings

HEIGHT	150/200MM
PROJECTION	150/200MM
DIAMETER	22MM



NOTE: Highly reflective surfaces directly beneath the sensor of this product, in particular polished finish basin wastes/strainers, will cause false activation of the infrared sensors and cause malfunction.

TECHNICAL HELPLINE 01424 202224
DOLPHINSOLUTIONS.CO.UK



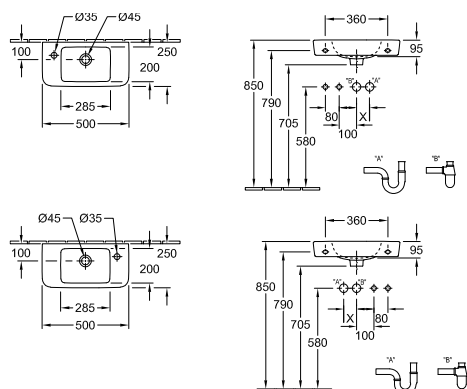
AL0220

DOLPHIN TMV3 INTEGRATED THERMOSTATIC MIXING VALVE

- › WRAS Approved product
- › Anti scald mixing valves are designed to eliminate the risk of scalding and are suitable for use in a wide range of public health care, social, commercial and domestic applications.
- › Temperature pre-set to 43°C, but easily adjustable on site. Temperature range 38°-46°C.
- › Working pressure 0.2-10bar.
- › BS7942
- › BS EN 1111:2001
- › BS EN 1287:2001
- › When used as TMV3 valve meets the requirements of NHS model engineering specification DO8.
- › Supplied with pre fitted strainers and non return valves.
- › UK manufactured
- › WRAS Approved product certificate number – 1907010

WIDTH	127 MM
HEIGHT	94 MM





DCI140R/L

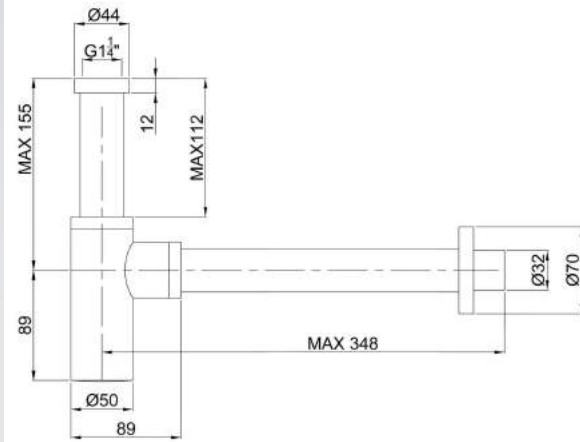
DOLPHIN ANGULAR COMPACT WASHBASIN

- > Stylish and functional compact basin
- > Width of 500mm, depth of 250mm and height of 95mm
- > Sanitary ceramic is especially long-lasting and easy to clean
- > Doc M compliant

WIDTH	500 MM
DEPTH	250 MM
HEIGHT	95 MM

PRODUCT CODES

- > DCI140L Left hand tap basin
- > DCI140R Right hand tap basin



DB790

DOLPHIN BLUE WASTE TRAP

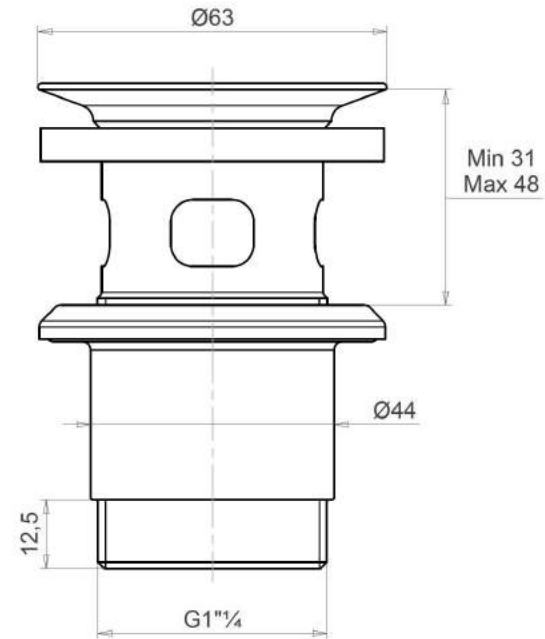
- › 32mm / G1 1/4" high quality chrome-plated brass bottle trap
- › Also available in 316 stainless steel
- › Suitable for sinks and basins.
- › Telescopic, with a 70mm wall seal
- › Waste outlet length: maximum 348mm
- › Product Height: 20-112mm telescopic
- › Waste inlet and outlet tubes can be cut down to fit smaller dimensions
- › Bottle Diameter: 50mm

PRODUCT CODES

DB790S - Chrome plated brass trap, satin finish

DB790C - Chrome plated brass trap, polished finish

DB790-316 - 316 Stainless steel trap, satin finish



DB793S

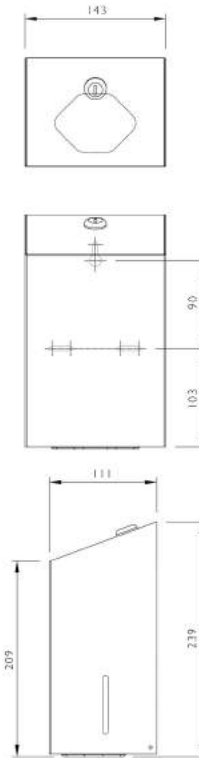
DOLPHIN BLUE WASTE DRAIN - SLOTTED

- › High quality chrome plated brass construction
- › Brushed satin and mirror polish finishes available
- › Also available with powder coating in any RAL colour (enquire for more detail)
- › Designed for fitting with a sink with an overflow

PRODUCT CODES

DB793S - Satin slotted waste drain

DB794S - Satin unslotted waste drain



BC4302

DOLPHIN BULK PACK TOILET TISSUE DISPENSER

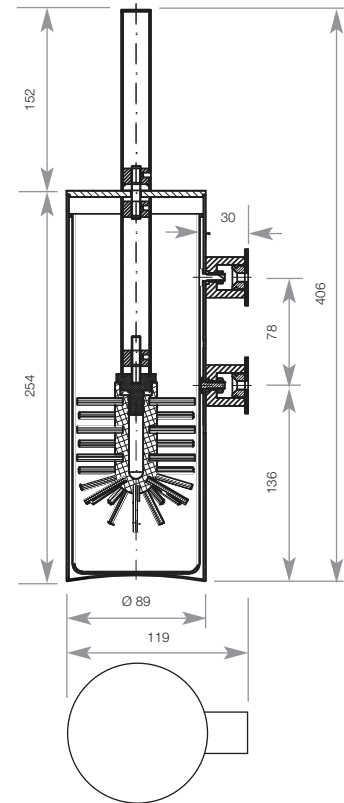
- > Lockable
- > Also available in brushed satin, mirror polish finish and with powder coating in any RAL colour (enquire for more detail)
- > High quality stainless steel
- > Inter-leaved toilet tissue dispenser
- > Ideal for accessible washrooms

PROJECTION	111MM
HEIGHT	239MM
WIDTH	143MM

PRODUCT CODES

BC4302 - Brushed satin finish

BC4302B - Mirror polished finish



BC9831 / BC9832

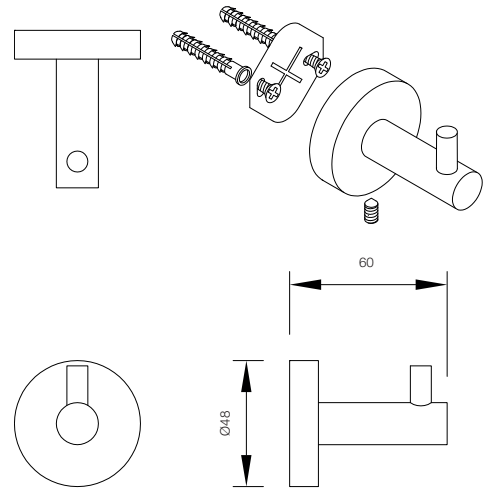
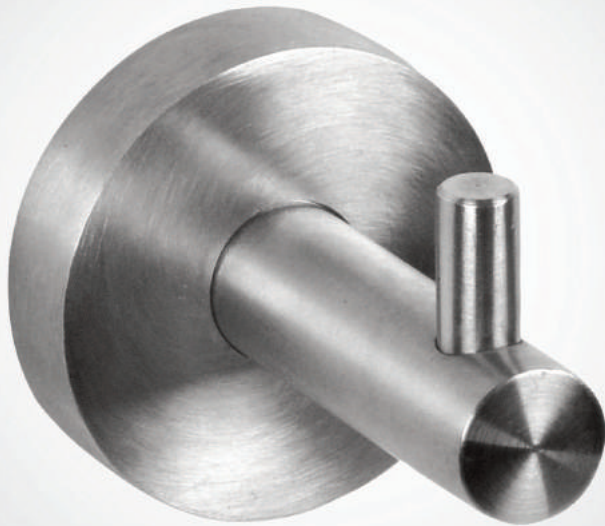
DOLPHIN TOILET BRUSH SET

- > Timeless design for prestigious appearance in high class environments
- > 304 stainless steel for easy care and durability
- > Double fixing point to ensure anti-rotation
- > Replaceable nylon brush head
- > Plastic inner container, removable for emptying/cleaning

HEIGHT	406 MM
DIAMETER	89 MM
PROJECTION	119 MM

PRODUCT CODES

- > Satin stainless steel wall mounted **BC9831SS**
- > Polished stainless steel finish wall mounted **BC9831PS**
- > Satin stainless steel finish free standing **BC9832SS**
- > Polished stainless steel finish free standing **BC9832PS**



BC725

DOLPHIN SINGLE ROBE HOOK

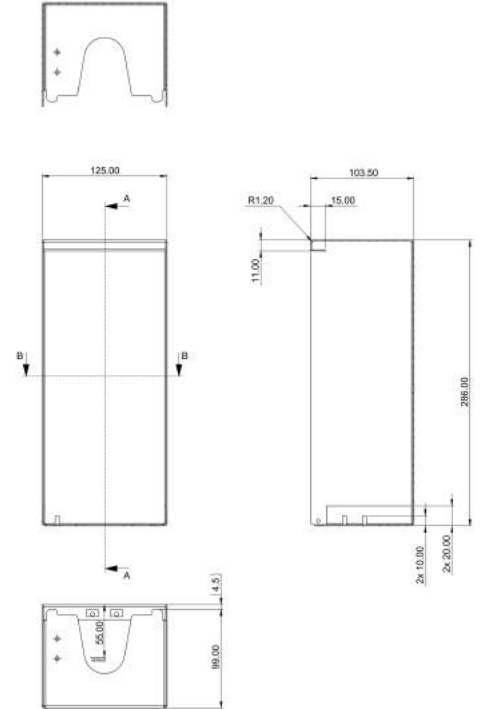
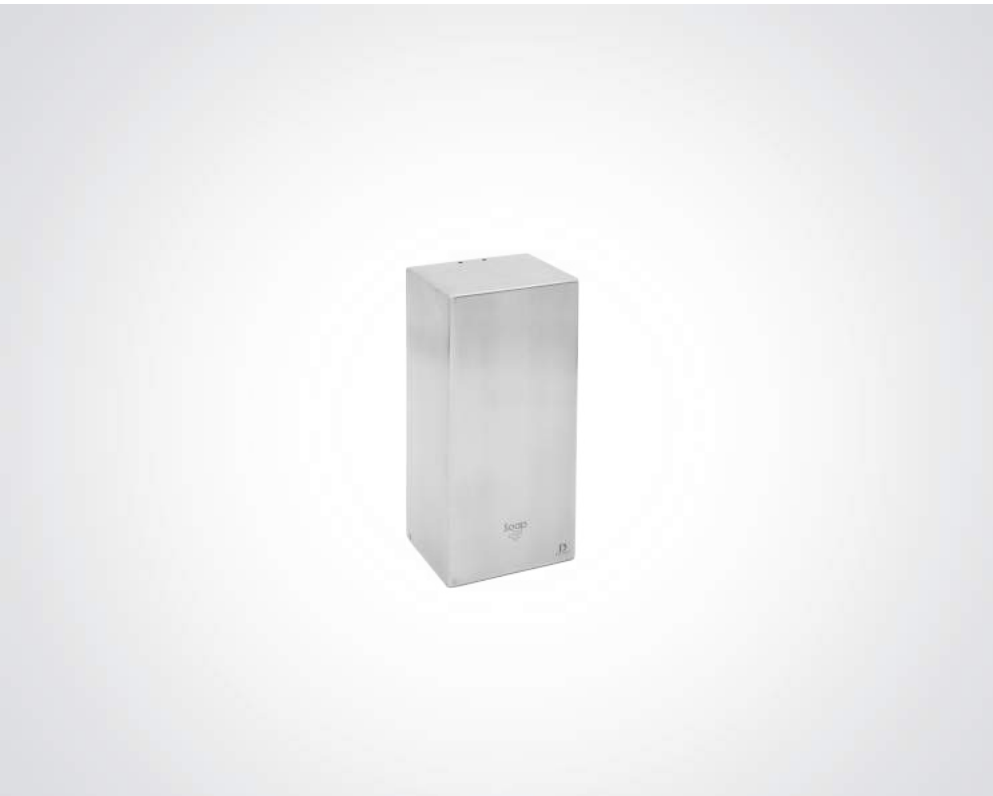
- > Timeless design for prestigious appearance in high class environments
- > 304 stainless steel for easy care and durability
- > Robust 'hidden fix' anti-rotation wall plate fixing for secure anti-theft mounting
- > Available in satin (brushed) stainless steel to compliment other Dolphin products

DIAMETER **48 MM**
PROJECTION **60 MM**

PRODUCT CODES

> Double hook see

BC726

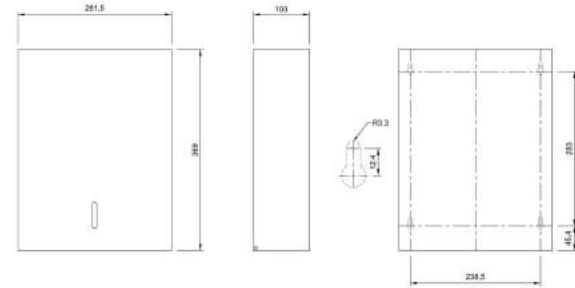


BC238SS

DOLPHIN INFRARED CARTRIDGE SOAP DISPENSER

- > Touch-free automatic cartridge dispenser
- > Manufactured in the UK
- > 1 ltr cartridges – to be purchased separately
- > Compatible cartridges available Dolphin codes:
 - > • HSI 3.50.90 Alcohol Liquid Sanitiser
 - > • HSI 1.50.73 Non-Alcohol Foaming Sanitiser
 - > • HSI 3.50.81 Antibac Lotion Soap
 - > • HSI 1.50.72 Antibac Foam Soap
- > Constructed from 304 stainless steel
- > Lockable
- > Battery powered (4 x c cell required)- Batteries not included
- > 50,000 operation battery life
- > Sensor tested to 1 million activations
- > This dispenser should be mounted with at least 200mm away from any surface below to prevent false activations

WIDTH	125MM
HEIGHT	286MM
PROJECTION	103.5MM
PROJECTION TO SENSOR	55MM

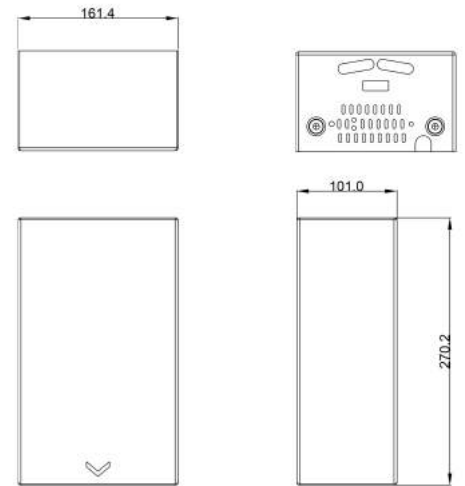
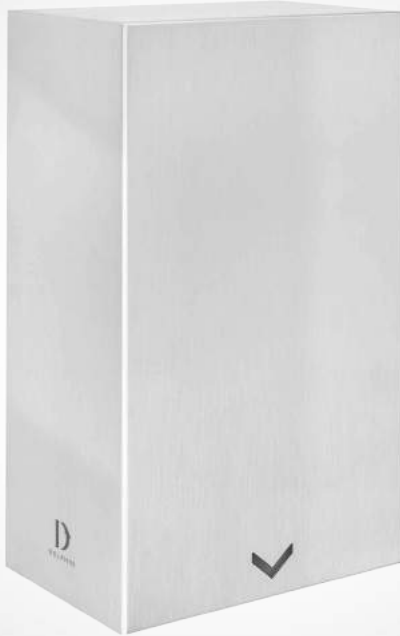


BC958

DOLPHIN STAINLESS STEEL PAPER TOWEL DISPENSER

- › Lockable paper towel dispenser
- › Constructed from high quality 304 stainless steel
- › Flush lock to facilitate easier cleaning
- › Holds approximately 400 C-fold or interfold towels
- › Also available in a mirror polish stainless steel finish or powder coated to a RAL colour of your choice

HEIGHT 369MM
WIDTH 282MM
PROJECTION 103MM



BC2008

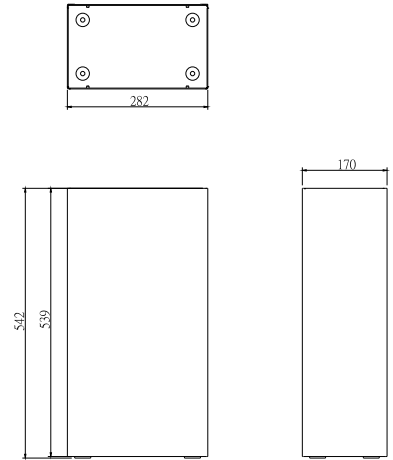
DOLPHIN HIGH SPEED MINI-ECONOMY HAND DRYER

- › Total Power 500-900W, Stand-by power less than 0.5W
- › Motor 250/450W
- › Heater 250-450W
- › Sound level 76.6dB @ 1 metre
- › IP Rating IP24, suitable for use in wet areas
- › Motor rpm 29000
- › Air Speed 342-414 km/h
- › Air Volume 80 m³/h
- › Brush Life 288k uses (10 seconds)
- › Weight 3.3 kg
- › Certificate UL/cUL, CE, GS, RoHS, CB
- › 3 Year limited warranty
- › Dries hands in only 10-12 seconds with heater on and full speed, dramatically reducing CO₂ emissions
- › Cover – satin stainless steel
- › Backplate – electro-galvanised commercial steel for excellent vandal-resistance
- › Adjustable Speed and Sound Control
- › Heater on/off switch
- › Blue LED light indicator optimises drying efficiency
- › Cut-Off Time 60 seconds
- › Carbon filter with S/S holder

HEIGHT	270.1MM
WIDTH	161.4MM
PROJECTION	101MM

PRODUCT CODES

- BC2008** - High speed mini economy hand dryer
- BC2009** - High speed mini economy hand dryer with HEPA filter

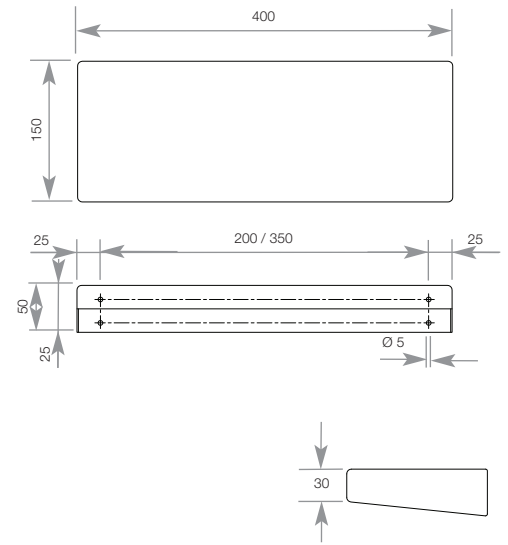


BC951

DOLPHIN STAINLESS STEEL FREE STANDING / SURFACE MOUNTED BIN

- > High Quality stainless steel
- > Wall Mounted or Free Standing option
- > Open Top
- > 24 litre capacity
- > Comes with plastic liner

HEIGHT	542 MM
WIDTH	282 MM
PROJECTION	170 MM



BC750

DOLPHIN STAINLESS STEEL SHELF

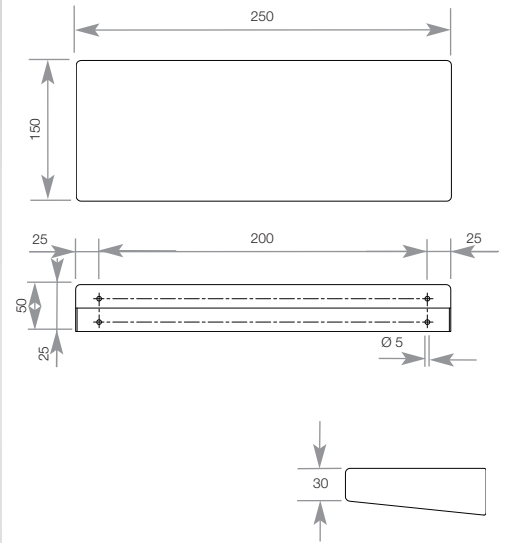
- > Prestige quality
- > Almost vandal proof
- > Ideal for public or prestigious washrooms
- > Suitable for disabled washrooms

HEIGHT	45 MM
WIDTH	400 MM
PROJECTION	150 MM

PRODUCT CODES

- > For 250mm long version see

BC751



BC751

DOLPHIN STAINLESS STEEL SHELF

- > Prestige quality
- > Almost vandal proof
- > Ideal for public or prestigious washrooms
- > Suitable for disabled washrooms

HEIGHT	45 MM
WIDTH	250 MM
PROJECTION	150 MM

PRODUCT CODES

- > For 400mm long version see

BC750



BC5083-121

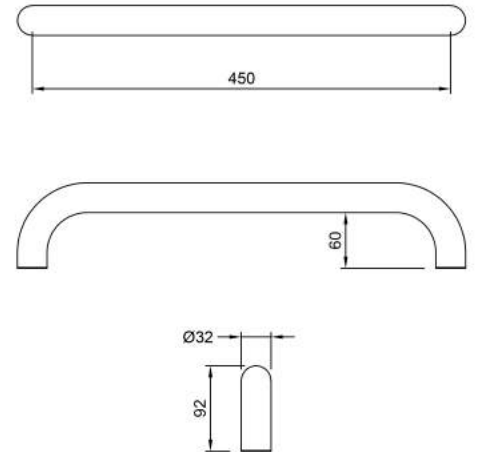
STAINLESS STEEL DISABLED ALARM SYSTEM WITH PULL CORD

- › Essential for every public accessible washroom
- › Included in all Dolphin Doc M shower and WC room sets
- › Available in white plastic or satin stainless steel
- › Doc M compliant

PRODUCT CODES

BC5083-120 - White Plastic Disabled Alarm System With Pull Cord

BC5083-121 - Stainless Steel Disabled Alarm System With Pull Cord



BC5063-01 / BC5063-02 / BC5063-04

DOLPHIN ROSELESS STAINLESS STEEL GRAB RAIL 32MM

- > Minimal flangeless design
- > Non-corrosive stainless steel construction
- > Doc M compliant
- > Material – Stainless Steel
- > Finishes available – Satin
- > All rails capable of supporting 128kg

LENGTH	450/600/900MM
PROJECTION	92MM
WIDTH	32MM

PRODUCT CODES

- BC5063-01** - 450mm Projection Grab Rail
- BC5063-02** - 600mm Projection Grab Rail
- BC5063-03** - 900mm Projection Grab Rail



BC5023-07

DOLPHIN CONTEMPORARY GRAB RAIL

- > High quality stainless steel construction
- > Minimalist contemporary design
- > Rail folds up
- > Fixings not included
- > Tested to a drop weight of 130kg from a vertical position of 45°

HEIGHT	139MM
DIAMETER	32MM
PROJECTION	800MM
FIXING HOLES	8MM

PRODUCT CODES

BC5023-07 - Polished stainless steel

BC5023-07SS - Satin stainless steel



BC5064-10

200MM STAINLESS STEEL WC SEAT BACKREST WITH PAD

- › Non-corrosive stainless steel construction
- › Flangeless design
- › 200mm projection - for use in a WC setting
- › Material – Stainless Steel
- › Finishes available – Satin and Mirror Polish, black and white cushions
- › Capable of supporting 145kg
- › Complies with the following certifications; Doc M
- › See BC5064-09 for 150mm projection (suitable for showers)

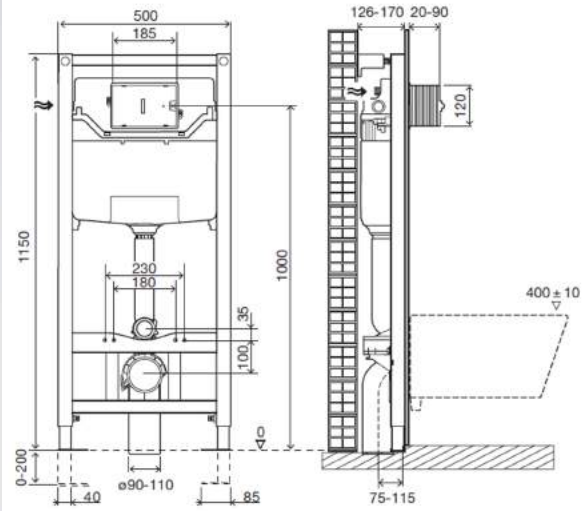
PRODUCT CODES

BC5064-10-WH - Brushed satin finish, White cushion

BC5064-10-BL - Brushed satin finish, Black cushion

BC5064-10-PSS-WH - Mirror polish finish, White cushion

BC5064-10-PSS-BL - Mirror polish finish, Black, cushion



DB5511.P

DOLPHIN BLUE 126MM PNEUMATIC CISTERN - 1150MM FRAME

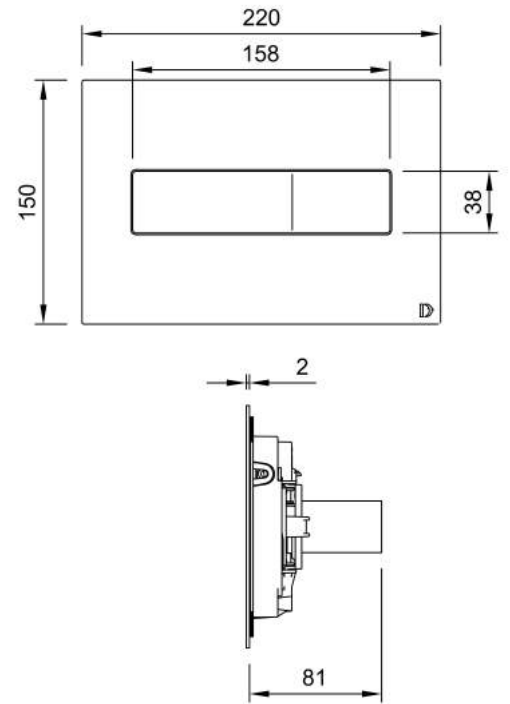
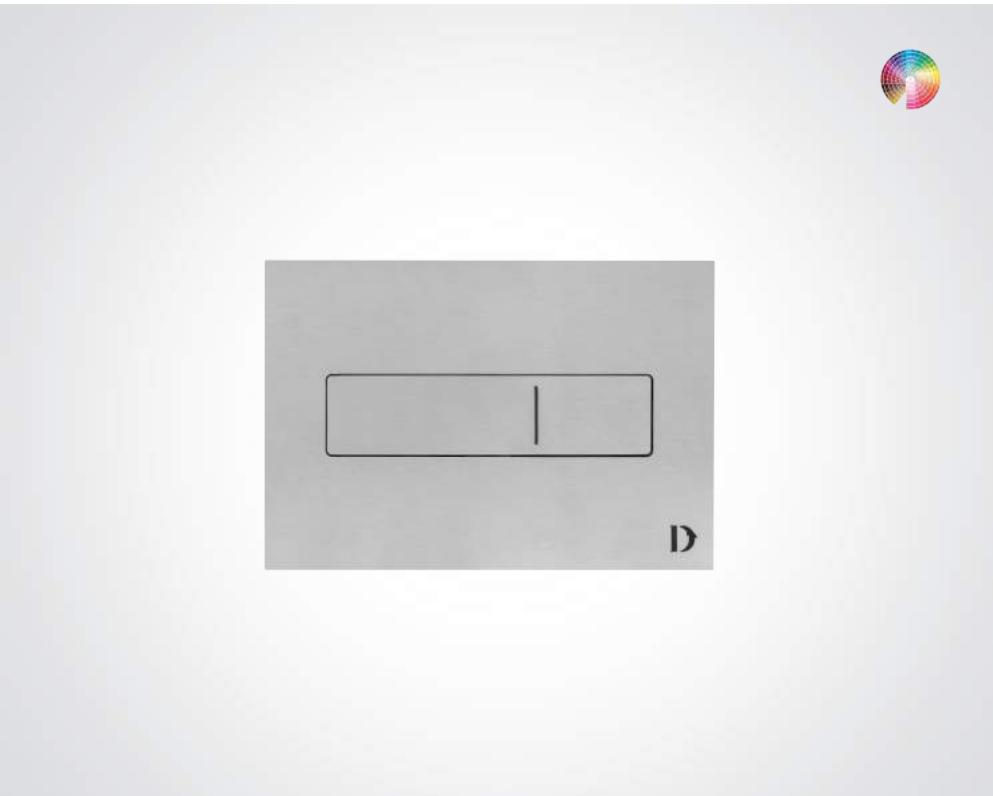
- › Concealed WC cistern and frame
- › EN14055 Class two compliant
- › WRAS approved inlet valve
- › Incorporates AUKI Backflow arrangement
- › Compliant with DEFRA Interim agreement when used with our DC1300 or DC2005 toilet pans
- › In painted profile corrosion resistant
- › Easy and quick installation with Fast Fit system
- › Minimum thickness of 126mm and adjustable up to 170mm
- › Height regulation of the adjustable floor brackets (0-200 mm);
- › Depth adjustable outlet bend
- › Tested for 400kg load
- › Dual flush in-wall cistern compatible with dual flush actuators 6/3 litres (adjustable to 4.5/3)
- › 126mm thickness
- › Pneumatic actuation
- › Equipped with delayed refilling Inlet Valve, (can save 9 litres of water per day) and according to BS1212 4:2016
- › Working pressure from 0.1 to 16 bar
- › Resistance to atmospheric humidity (Hr <90%).
- › Polypropylene (PP) cistern highly resistant and inalterable to thermal stress
- › Supplied with anti-condensation lining
- › Pre-assembled structure for installation in front of masonry wall and finish in light wall, plasterboard wall and technical support rail for light wall
- › The Dolphin Delayed Action Inlet Valve only opens and starts to refill the cistern once the flush is complete and the flush valve is closed, saving up to 0.5 litres of water per flush

HEIGHT	1150-1350MM
WIDTH	500MM
RECESS DEPTH	126-170MM

PRODUCT CODES

- DB5511.E** - Electronic cistern with frame
- DB5510.E** - Electronic cistern without frame
- DB5511.P** - Pneumatic cistern with frame
- DB5510.P** - Pneumatic cistern without frame





DB5550.P

DOLPHIN BLUE PNEUMATIC FLUSH PLATE

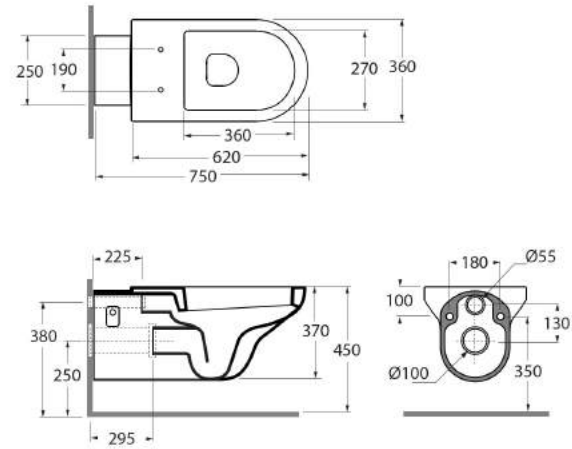
- > High quality design for prestigious locations
- > Dual flush
- > Tilttable Button
- > Actuation force < 20N
- > "Gull-Wing" opening system
- > Compatible with our DB5510.P, DB5521.P and DB5511.P Cisterns

WIDTH	220MM
HEIGHT	150MM
PROJECTION	4MM

PRODUCT CODES

DB5550.P - Pneumatic flush plate

DB5550.M - mechanical flush plate



DC1300

DOLPHIN WALL HUNG DOC M WC PAN

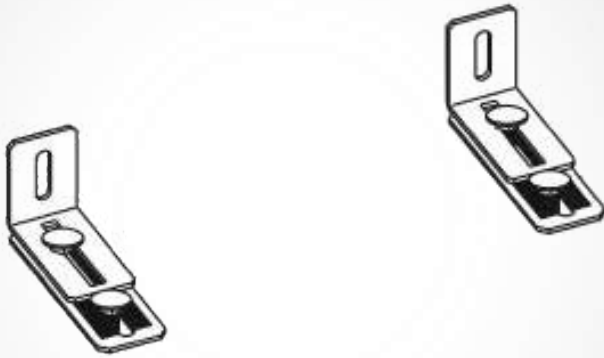
- > Wall-hung WC for Doc M
- > Dimensions 750mm x 360mm x 370mm
- > Compatible with the DB5521.P / DB5521.M Cisterns
- > Also compatible with the DB5511.P / DB5511.M / DB5511.E cisterns when fitted with Dolphin extra strengthening brackets, code 25741
- > Constructed from vitreous china - Clean white gloss finish
- > Comes with grey colour contrasting seat with no lid (not pictured)
- > Weight tested to 400KG

PROJECTION	750MM
HEIGHT	370MM
WIDTH	360MM

PRODUCT CODES

DC1300 - Doc M wall hung pan

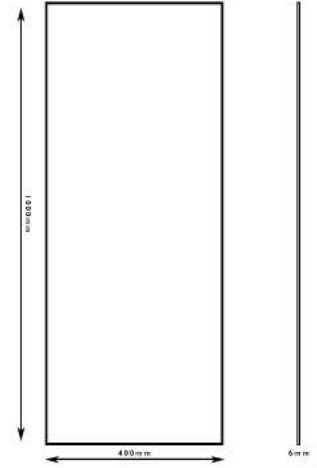
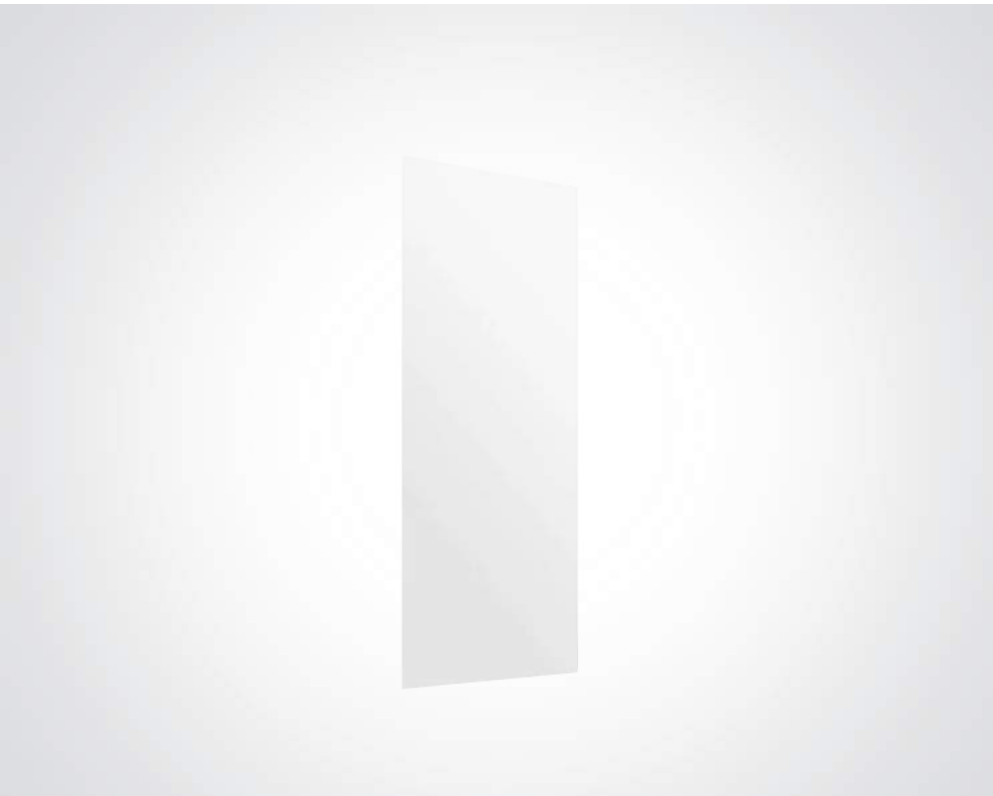
DC2005 - Wall hung pan



25741

SUPPORT BRACKETS FOR DOC M WALL HUNG WC PAN

- › Extension for frame for Doc M wall hung WC pan
- › Designed for use with pans longer than 660mm
- › Primarily designed for use with our DCI 300 pan



BC5083-101

DOLPHIN SAFETY BACKED MIRROR

- > Safety backed glass mirror
- > Suitable for accessible washrooms and shower rooms
- > 1000mm x 400mm x 6mm
- > Frameless
- > Bespoke options available

HEIGHT	1000MM
WIDTH	400MM
THICKNESS	6MM