

# ALAVO DOC M WC PACK – BACK TO WALL

(Click on product code or page number to view Datasheet)

<b>AA1000/L</b>	Page 2
<b>AA1000 Pack contains:</b>	
DS213.150.150 Tap x1	Page 3
AA0200 Basin x1	Page 4
DB790-316 Waste Trap x1	Page 5
DB794S Waste Grate x1	Page 6
BC4302 Toilet Tissue Dispenser x1	Page 7
BC9831SS Toilet Brush x1	Page 8
BC725 Coat Hooks x2	Page 9
BC2008 Hand Dryer x	Page 10
BC951 Waste Bin x1	Page 11
BC750 400mm shelf x1	Page 12
BC751 200mm shelf x1	Page 13
BC5083-121 Alarm Pull Cord x1	Page 14
BC5063-02 Grab Bar 600 mm x4	Page 15
BC5063-01 Grab Bar 450 mm x1	Page 15
BC5023-07SS Drop Down Hinged Support Rail x1	Page 16
BC5064-10-WH Back Rest x1	Page 17
DB5510.P Concealed Cistern x1	Page 18
DB5550.P1 Flush Plate x1	Page 19
DB590 Toilet Pan x1	Page 20
DB591-GRY Toilet Seat Ring - Grey Contrasting x1	Page 21
BC5083-101 Mirror 1000mm x 400mm x 1	Page 22

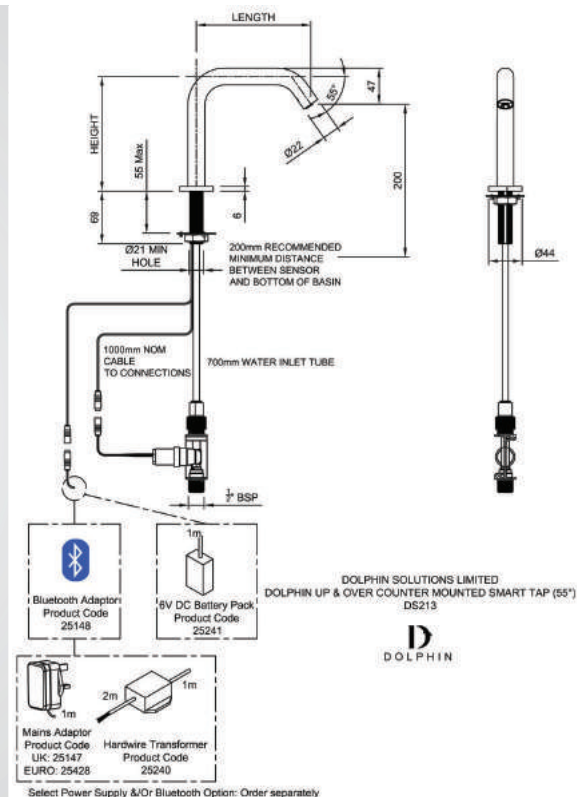


## AA1000

# ALAVO DOC M WC PACK - BACK TO WALL

- › Accessible ALAVO ensures consistency of design between the accessible washroom and other washrooms
- › Designed in conjunction with wheelchair users, access specialist and BS8300
- › Completely compliant with Part M of the Building Regulation
- › Full pack of products and components to install an accessible toilet and washroom for Doc M compliance
- › Includes the Alavo behind mirror handwash system, with all the incorporated benefits
- › Wall mounted and Close coupled WCs are also available on request
- › White toilet seat also available as an option - please contact the team for more information
- › Options for both right hand and left hand wheelchair transfer
- › To assist blind or partially sighted persons in navigating the washroom there should be a contrast difference of 30 between the LRV (Light Reflective Value) of fixtures/fittings and surrounding surfaces as well as between floors, walls, doors and ceilings. Contact the Dolphin Technical Team for assistance.
- › AA1000 Pack contains
- › AA0100 ALAVO Unit x
- › DS213.150.150.1 Tap x
- › AA0200 Basin x
- › DB790-316 Waste Trap x
- › DB794S Waste Grate x
- › BC4302 Toilet Tissue Dispenser x
- › BC9831SS Toilet Brush x
- › BC725 Coat Hooks x
- › BC2008 Hand Dryer x
- › BC951 Waste Bin x
- › BC750 400mm shelf x
- › BC751 200mm shelf x
- › BC5083-121 Alarm Pull Cord x
- › BC5063-02 Grab Bar 600 mm x
- › BC5063-01 Grab Bar 450 mm x
- › BC5023-07SS Drop Down Hinged Support Rail x
- › BC5064-10-WH Back Rest x
- › DB5510.P Concealed Cistern x
- › DB5550.P.1 Flush Plate x
- › DB590 Toilet Pan x
- › DB591-GRY Toilet Seat Ring - Grey Contrasting x
- › BC5083-101 Mirror 1000mm x 400mm x





## DS213

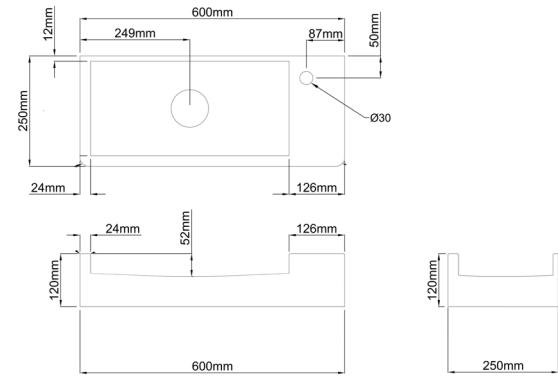
# DOLPHIN SLIMLINE INFRARED BASIN TAP

- › Dolphin Up and Over Thru Counter Mounted Inform Tap
- › Manufactured from high-quality, highly durable 1.4401 (316) Marine grade stainless steel
- › Self-monitoring analysis and recording technology (smart) allows the Facilities Manager to connect point to point via the Dolphin Inform App when used with the optional Bluetooth Adaptor (Sold separately – Order product code 25148 )
- › Infrared Touch Free Tap – for ultimate hygiene – prevents cross contamination – sensor mounted in end of 55° spout
- › Standard Flow rate – maximum nominal 3.0 litres/minute with the flow regulator (fitted adjacent to solenoid) at any pressure between 0.5 and 6.0 bar, but typically at 3 bar
- › Other flow rates available – 1.0 litre/minute, 2.0 litres/minute and 4.0 litres/minute – please specify clearly if one of these alternative flowrates are required.
- › Operating pressure: 0.5 bar minimum to 8.0 bar maximum
- › Water supply: single inlet cold or pre-mixed – a TMV2 or TMV3 thermostatic mixing valve is recommended for premixed applications
- › Maximum operating water temperature - 60°C
- › Nominal current: Less than 1mA (Less than 25mA with Bluetooth)
- › Nominal power: Less than 1W
- › Security time can be adjusted via the App – default 20 seconds (60 seconds max)
- › IP68 connector
- › Power Source: Plug-in 9 Volt transformers, hard wired transformers, or battery packs
- › Recommended minimum distance between sensor and the bottom of basin = 200mm
- › WRAS approved
- › Comes with laminar flow feature to avoid splashing
- › Comes as standard with 24 hour line purge/hygiene flush feature, with alterable timings

NOTE: Highly reflective surfaces directly beneath the sensor of this product, in particular polished finish basin wastes/strainers, will cause false activation of the infrared sensors and cause malfunction.

HEIGHT	150/200MM
PROJECTION	150/200MM
DIAMETER	22MM





AA0200

## DOLPHIN ALAVO SOLID SURFACE BASIN

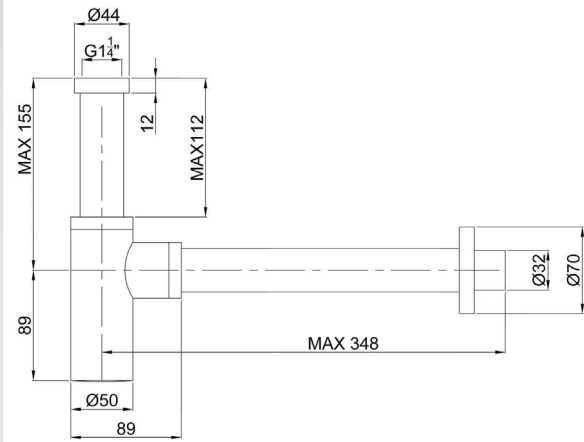
- > Comes with heavy duty cantilever brackets
- > Made from white solid surface
- > Hard wearing, easy to clean material
- > Doc M compliant

<b>WIDTH</b>	<b>600MM</b>
<b>DEPTH</b>	<b>250MM</b>
<b>HEIGHT</b>	<b>120MM</b>

### PRODUCT CODES

**AA0200** - right hand tap hole basin

**AA0200L** - left hand tap hole basin



**DB790**

## DOLPHIN BLUE WASTE TRAP

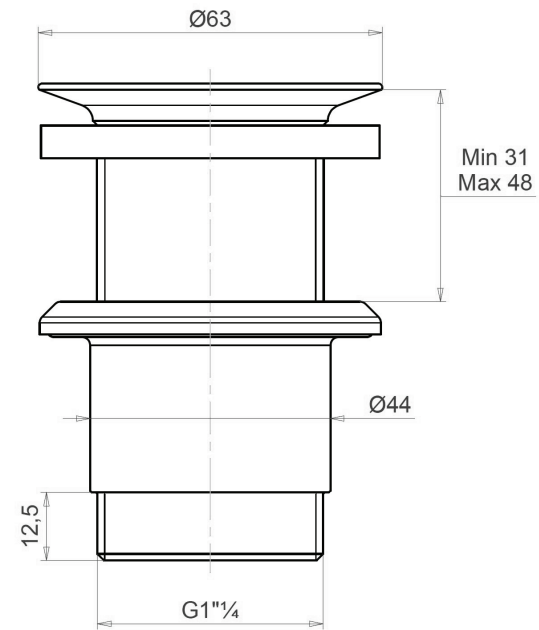
- › 32mm / G1 1/4" high quality chrome-plated brass bottle trap
- › Also available in 316 stainless steel
- › Suitable for sinks and basins.
- › Telescopic, with a 70mm wall seal
- › Waste outlet length: maximum 348mm
- › Product Height: 20-112mm telescopic
- › Waste inlet and outlet tubes can be cut down to fit smaller dimensions
- › Bottle Diameter: 50mm

### PRODUCT CODES

**DB790S** - Chrome plated brass trap, satin finish

**DB790C** - Chrome plated brass trap, polished finish

**DB790-316** - 316 Stainless steel trap, satin finish



**DB794S**

## DOLPHIN BLUE WASTE DRAIN - UNSLOTTED

- › High quality chrome plated brass construction
- › Brushed satin and mirror polish finishes available
- › Also available with powder coating in any RAL colour (enquire for more detail)
- › Designed for fitting with a basin without an overflow

### PRODUCT CODES

- DB794S** - Satin unslotted waste drain
- DB793S** - Satin slotted waste drain



**BC4302**

## DOLPHIN BULK PACK TOILET TISSUE DISPENSER

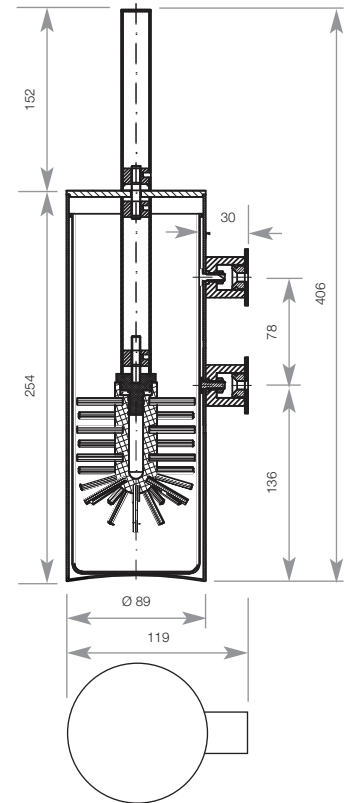
- > Lockable
- > Also available in brushed satin, mirror polish finish and with powder coating in any RAL colour (enquire for more detail)
- > High quality stainless steel
- > Inter-leaved toilet tissue dispenser
- > Ideal for accessible washrooms

<b>PROJECTION</b>	<b>111MM</b>
<b>HEIGHT</b>	<b>239MM</b>
<b>WIDTH</b>	<b>143MM</b>

### PRODUCT CODES

**BC4302** - Brushed satin finish

**BC4302B** - Mirror polished finish



BC9831 / BC9832

## DOLPHIN TOILET BRUSH SET

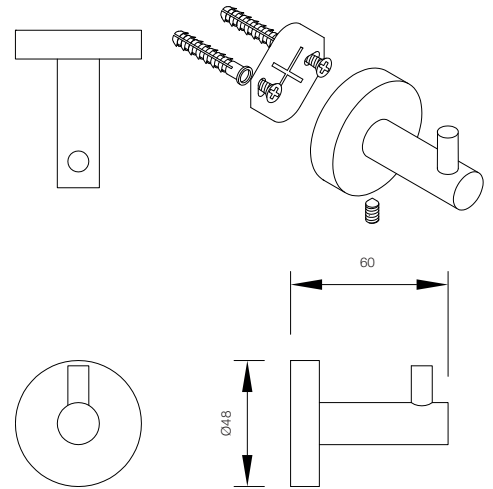
- > Timeless design for prestigious appearance in high class environments
- > 304 stainless steel for easy care and durability
- > Double fixing point to ensure anti-rotation
- > Replaceable nylon brush head
- > Plastic inner container; removable for emptying/cleaning

<b>HEIGHT</b>	<b>406 MM</b>
<b>DIAMETER</b>	<b>89 MM</b>
<b>PROJECTION</b>	<b>119 MM</b>

### PRODUCT CODES

- > Satin stainless steel wall mounted **BC9831SS**
- > Polished stainless steel finish wall mounted **BC9831PS**
- > Satin stainless steel finish free standing **BC9832SS**
- > Polished stainless steel finish free standing **BC9832PS**





**BC725**

## DOLPHIN SINGLE ROBE HOOK

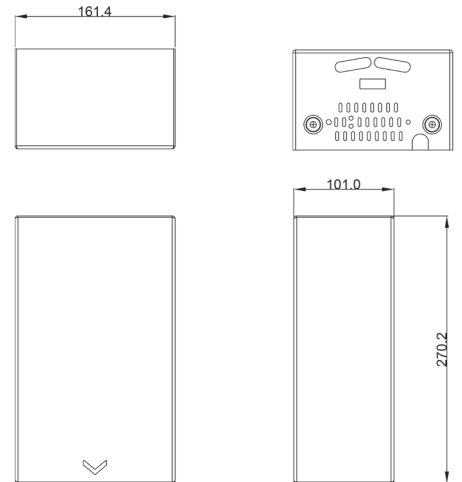
- > Timeless design for prestigious appearance in high class environments
- > 304 stainless steel for easy care and durability
- > Robust 'hidden fix' anti-rotation wall plate fixing for secure anti-theft mounting
- > Available in satin (brushed) stainless steel to compliment other Dolphin products

**DIAMETER**                    **48 MM**  
**PROJECTION**                **60 MM**

**PRODUCT CODES**

> Double hook see

**BC726**



**BC2008**

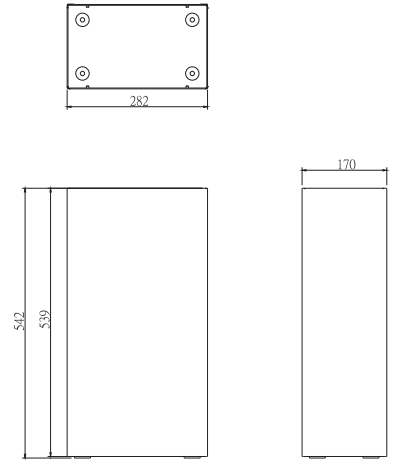
## DOLPHIN HIGH SPEED MINI-ECONOMY HAND DRYER

- › Total Power 500-900W, Stand-by power less than 0.5W
- › Motor 250/450W
- › Heater 250-450W
- › Sound level 76.6dB @ 1 metre
- › IP Rating IP24, suitable for use in wet areas
- › Motor rpm 29000
- › Air Speed 342-414 km/h
- › Air Volume 80 m<sup>3</sup>/h
- › Brush Life 288k uses (10 seconds)
- › Weight 3.3 kg
- › Certificate UL/cUL, CE, GS, RoHS, CB
- › 3 Year limited warranty
- › Dries hands in only 10-12 seconds with heater on and full speed, dramatically reducing CO<sub>2</sub> emissions
- › Cover – satin stainless steel
- › Backplate – electro-galvanised commercial steel for excellent vandal-resistance
- › Adjustable Speed and Sound Control
- › Heater on/off switch
- › Blue LED light indicator optimises drying efficiency
- › Cut-Off Time 60 seconds
- › Carbon filter with S/S holder

<b>HEIGHT</b>	<b>270.1MM</b>
<b>WIDTH</b>	<b>161.4MM</b>
<b>PROJECTION</b>	<b>101MM</b>

**PRODUCT CODES**

- BC2008** - High speed mini economy hand dryer
- BC2009** - High speed mini economy hand dryer with HEPA filter

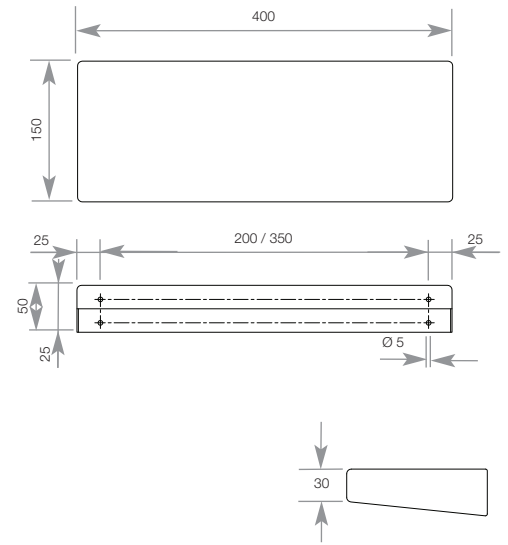


BC951

## DOLPHIN STAINLESS STEEL FREE STANDING / SURFACE MOUNTED BIN

- > High Quality stainless steel
- > Wall Mounted or Free Standing option
- > Open Top
- > 24 litre capacity
- > Comes with plastic liner

HEIGHT	542 MM
WIDTH	282 MM
PROJECTION	170 MM



BC750

## DOLPHIN STAINLESS STEEL SHELF

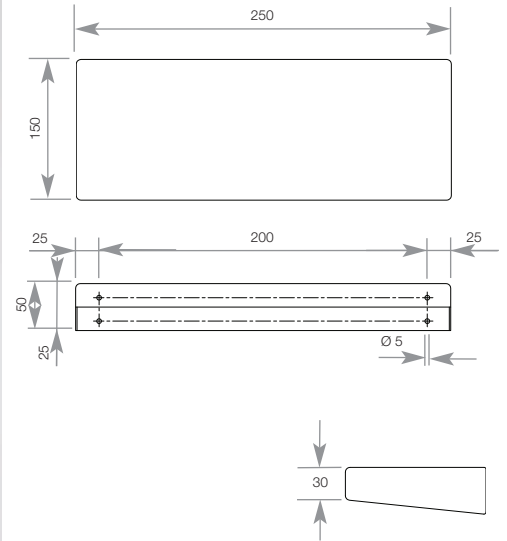
- > Prestige quality
- > Almost vandal proof
- > Ideal for public or prestigious washrooms
- > Suitable for disabled washrooms

HEIGHT	45 MM
WIDTH	400 MM
PROJECTION	150 MM

### PRODUCT CODES

- > For 250mm long version see

BC751



BC751

## DOLPHIN STAINLESS STEEL SHELF

- > Prestige quality
- > Almost vandal proof
- > Ideal for public or prestigious washrooms
- > Suitable for disabled washrooms

<b>HEIGHT</b>	<b>45 MM</b>
<b>WIDTH</b>	<b>250 MM</b>
<b>PROJECTION</b>	<b>150 MM</b>

### PRODUCT CODES

- > For 400mm long version see

BC750



**BC5083-121**

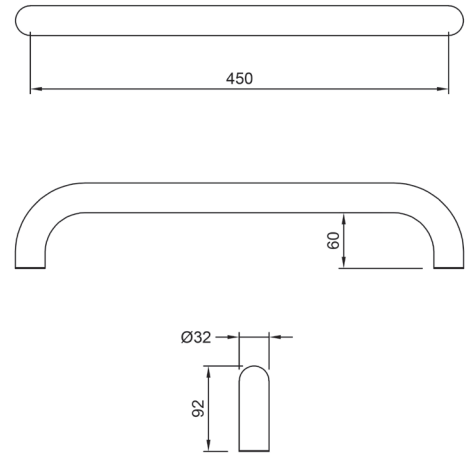
## STAINLESS STEEL DISABLED ALARM SYSTEM WITH PULL CORD

- › Essential for every public accessible washroom
- › Included in all Dolphin Doc M shower and WC room sets
- › Available in white plastic or satin stainless steel
- › Doc M compliant

### PRODUCT CODES

**BC5083-120** - White Plastic Disabled Alarm System With Pull Cord

**BC5083-121** - Stainless Steel Disabled Alarm System With Pull Cord



BC5063-01 / BC5063-02 / BC5063-04

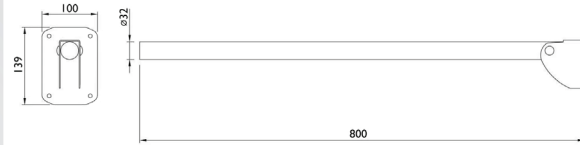
## DOLPHIN ROSELESS STAINLESS STEEL GRAB RAIL 32MM

- > Minimal flangeless design
- > Non-corrosive stainless steel construction
- > Doc M compliant
- > Material – Stainless Steel
- > Finishes available – Satin
- > All rails capable of supporting 128kg

LENGTH	450/600/900MM
PROJECTION	92MM
WIDTH	32MM

### PRODUCT CODES

- BC5063-01** - 450mm Projection Grab Rail
- BC5063-02** - 600mm Projection Grab Rail
- BC5063-03** - 900mm Projection Grab Rail



**BC5023-07**

## DOLPHIN CONTEMPORARY GRAB RAIL

- > High quality stainless steel construction
- > Minimalist contemporary design
- > Rail folds up
- > Fixings not included
- > Tested to a drop weight of 130kg from a vertical position of 45°

<b>HEIGHT</b>	<b>139MM</b>
<b>DIAMETER</b>	<b>32MM</b>
<b>PROJECTION</b>	<b>800MM</b>
<b>FIXING HOLES</b>	<b>8MM</b>

### PRODUCT CODES

**BC5023-07** - Polished stainless steel

**BC5023-07SS** - Satin stainless steel





**BC5064-10**

## 200MM STAINLESS STEEL WC SEAT BACKREST WITH PAD

- › Non-corrosive stainless steel construction
- › Flangeless design
- › 200mm projection - for use in a WC setting
- › Material – Stainless Steel
- › Finishes available – Satin and Mirror Polish, black and white cushions
- › Capable of supporting 145kg
- › Complies with the following certifications; Doc M
- › See BC5064-09 for 150mm projection (suitable for showers)

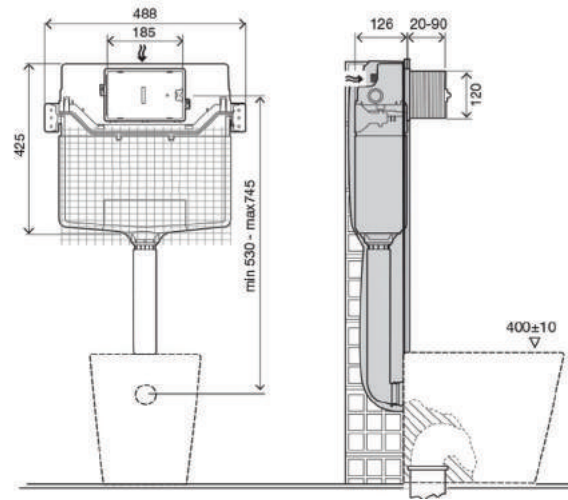
### PRODUCT CODES

**BC5064-10-WH** - Brushed satin finish, White cushion

**BC5064-10-BL** - Brushed satin finish, Black cushion

**BC5064-10-PSS-WH** - Mirror polish finish, White cushion

**BC5064-10-PSS-BL** - Mirror polish finish, Black, cushion



**DB5510.P**

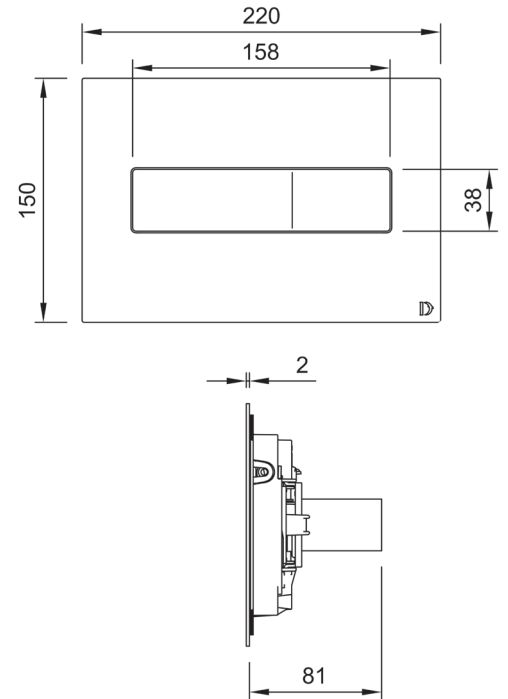
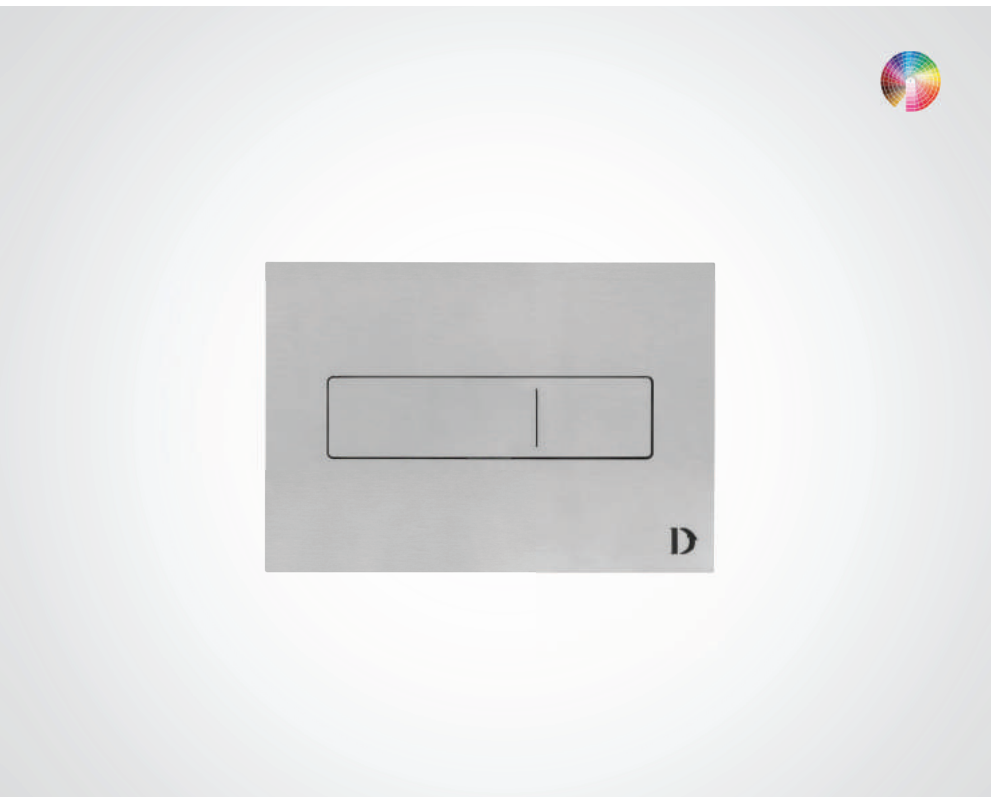
## **DOLPHIN BLUE 126MM PNEUMATIC CISTERN - NO FRAME**

- › Flush cistern to be installed inside the wall and used in combination with floor standing sanitary applications
- › EN14055 Class two compliant
- › WRAS approved inlet valve
- › Incorporates AUKI Backflow arrangement
- › Compliant with DEFRA Interim agreement when used with our DC2006 or DB590 toilet pans
- › Dual flush in-wall cistern compatible with dual flush actuators 6/3 litres (adjustable to 4.5/3)
- › 126mm thickness
- › Pneumatic actuation
- › Equipped with delayed refilling Inlet Valve, (saves up to 9 litres of water per day) and according to BS1212- 4:2016
- › Working pressure from 0.1 to 16 bar
- › Resistance to atmospheric humidity (Hr <90%).
- › Polypropylene (PP) cistern highly resistant and inalterable to thermal stress
- › EN 14055 marking CL2
- › Supplied with anti-condensation lining
- › Net for easier mortar adhesion
- › The Dolphin Delayed Action Inlet Valve only opens and starts to refill the cistern once the flush is complete and the flush valve is closed, saving up to 0.5 litres of water per flush

<b>WIDTH</b>	<b>488MM</b>
<b>HEIGHT</b>	<b>530-745MM</b>
<b>RECESS DEPTH</b>	<b>126MM</b>

### **PRODUCT CODES**

- DB5510.P** - Pneumatic cistern no frame
- DB5511.P** - Pneumatic cistern with frame
- DB5510.E** - Electronic cistern no frame
- DB5511.E** - Electronic cistern with frame



**DB5550.P**

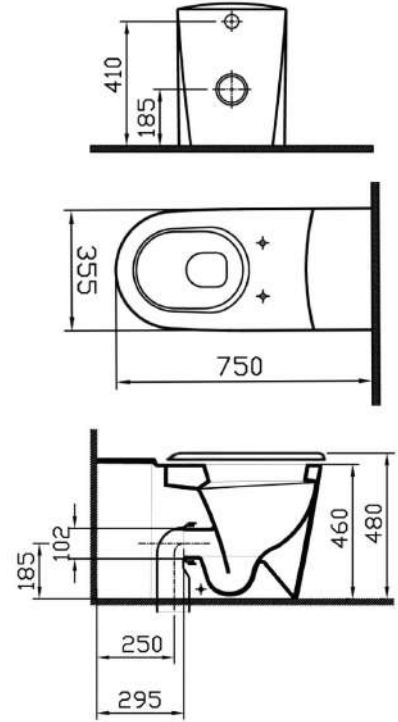
## DOLPHIN BLUE PNEUMATIC FLUSH PLATE

- > High quality design for prestigious locations
- > Dual flush
- > Tilttable Button
- > Actuation force < 20N
- > "Gull-Wing" opening system
- > Compatible with our DB5510.P, DB5521.P and DB5511.P Cistems

<b>WIDTH</b>	<b>220MM</b>
<b>HEIGHT</b>	<b>150MM</b>
<b>PROJECTION</b>	<b>4MM</b>

### PRODUCT CODES

- DB5550.P** - Pneumatic flush plate
- DB5550.M** - mechanical flush plate



DB590

## DOLPHIN ACCESSIBLE WC

- > Back to wall high quality WC pan
- > Doc M compliant
- > Seat not included

PROJECTION	750MM
WIDTH	355MM
HEIGHT	460MM
SEAT HEIGHT	480MM

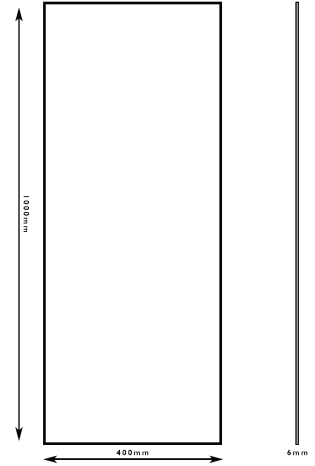


DB591-GRY

## DOLPHIN TOILET SEAT RING

---

- > Lidless for Doc M Compliance
- > Fits our DB590 Doc M floor mounted pan
- > Warm touch plastic
- > Stainless steel hinge



BC5083-101

## DOLPHIN SAFETY BACKED MIRROR

- > Safety backed glass mirror
- > Suitable for accessible washrooms and shower rooms
- > 1000mm x 400mm x 6mm
- > Frameless
- > Bespoke options available

HEIGHT	1000MM
WIDTH	400MM
THICKNESS	6MM