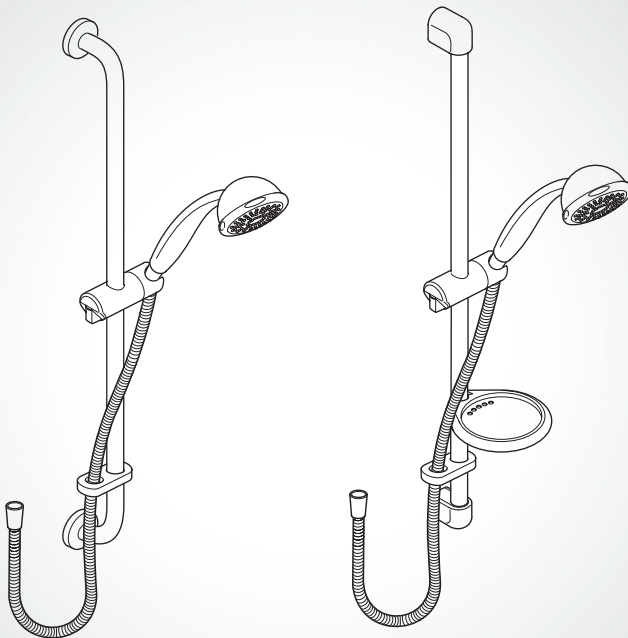


BC5083-24

# DOLPHIN SHOWER FITTINGS

## INSTALLATION AND MAINTENANCE GUIDE



# INDEX

3	Introduction
4	Installation Requirements
5	Pack Contents - EV Shower Fittings
6	Pack Contents - Heavy Duty EV Shower Fittings
7	Pack Contents - Right Angled Connector (RAC)
8	Dimensions
9-10	Installation - EV Shower Fittings
11-12	Installation - Heavy Duty EV Shower Fittings
13	Installation - Right Angled Connector (RAC)
14	Maintenance
15	Spare Parts - EV Shower Fittings
16	Spare Parts - Heavy Duty EV Shower Fittings

The information in this document reflects products at the date of printing. Dolphin Solutions Ltd reserves the right, subject to all applicable laws, at any time, at its sole discretion, and without notice, to discontinue or change the features, designs, materials and other specifications of its products, and to either permanently or temporarily withdraw any of the foregoing from the market. All information in this document is provided "as is" without warranty of any kind, either expressed or implied, including but not limited to any implied warranties of merchantability, fitness for a particular purpose, or non-infringement. Dolphin Solutions Ltd assumes no responsibility for errors or omissions in the information presented in this document. In no event shall Dolphin Solutions Ltd be liable for any special, incidental, indirect or consequential damages of any kind, or any damages whatsoever arising out of or in connection with the use or performance of this information. The tradenames, trademarks, logos and service marks presented in this document, including their design, are the property of Dolphin Solutions Ltd or other third parties and you are not permitted to use them without the prior written consent of Dolphin Solutions Ltd or such third party as may own them.

# INTRODUCTION

Dolphin Shower Fittings are specified to meet the highest standards of safety, comfort and economy as demanded by today's users. All Rada products are designed, manufactured and supported in accordance with accredited BS EN ISO 9001:2000 Quality Systems.

---

Available colours: **Chrome/Polished finish**

---

## Description:

Product Range (covered by this guide):

1. **Dolphin EV Shower Fittings** - An adjustable spray handset with five different spray actions, supplied complete with flexible hose, clamp bracket assembly, slide bar, end supports and hose retaining ring. Available in chrome finish. Suitable for connection to surface mounted shower controls, however; they can be connected to built-in shower controls with the Right Angled Connector (RAC).
  2. **Dolphin Heavy Duty EV Shower Fittings** - An adjustable spray handset with five spray actions, supplied complete with flexible hose, clamp bracket assembly, heavy duty slide bar, end fittings and hose retaining ring. Available in chrome finish. Suitable for connection to surface mounted shower controls, however; they can be connected to built-in shower controls with the Right Angled Connector (RAC).
- 

## Safety :Warnings

Dolphin products are precision-engineered and should give continued superior and safe performance, provided:

1. They are installed, commissioned, operated and maintained in accordance with the recommendations given in this manual.
2. Periodic attention is given, as necessary, to maintain the product in good functional order: Recommended guidelines are given in section: 'Maintenance'.
3. Safety: Anyone who may have difficulty understanding or operating the controls of any shower should be attended whilst showering. Particular consideration should be given to the young, the elderly, the infirm or anyone inexperienced in the correct operation of the controls.

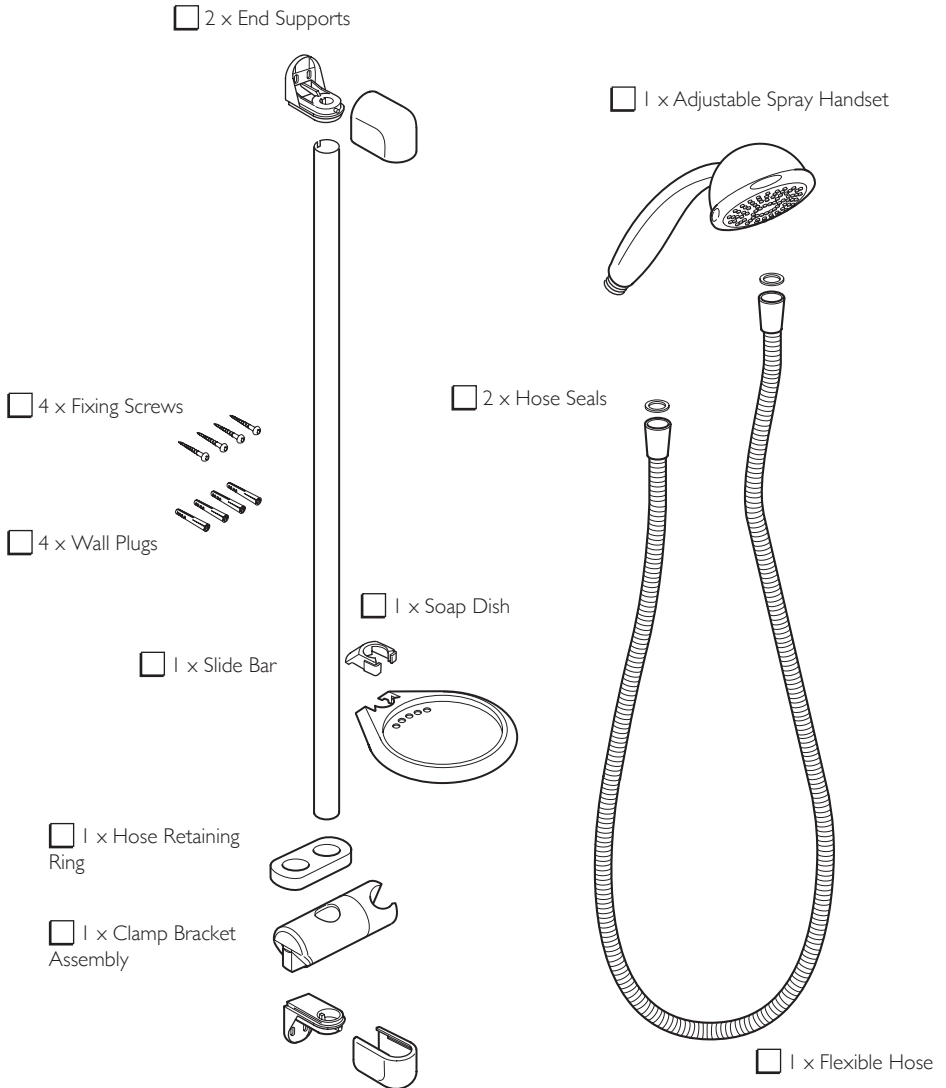
## INSTALLATION REQUIREMENTS

Installation must be carried out in accordance with these instructions, and must be conducted by designated, qualified and competent personnel.

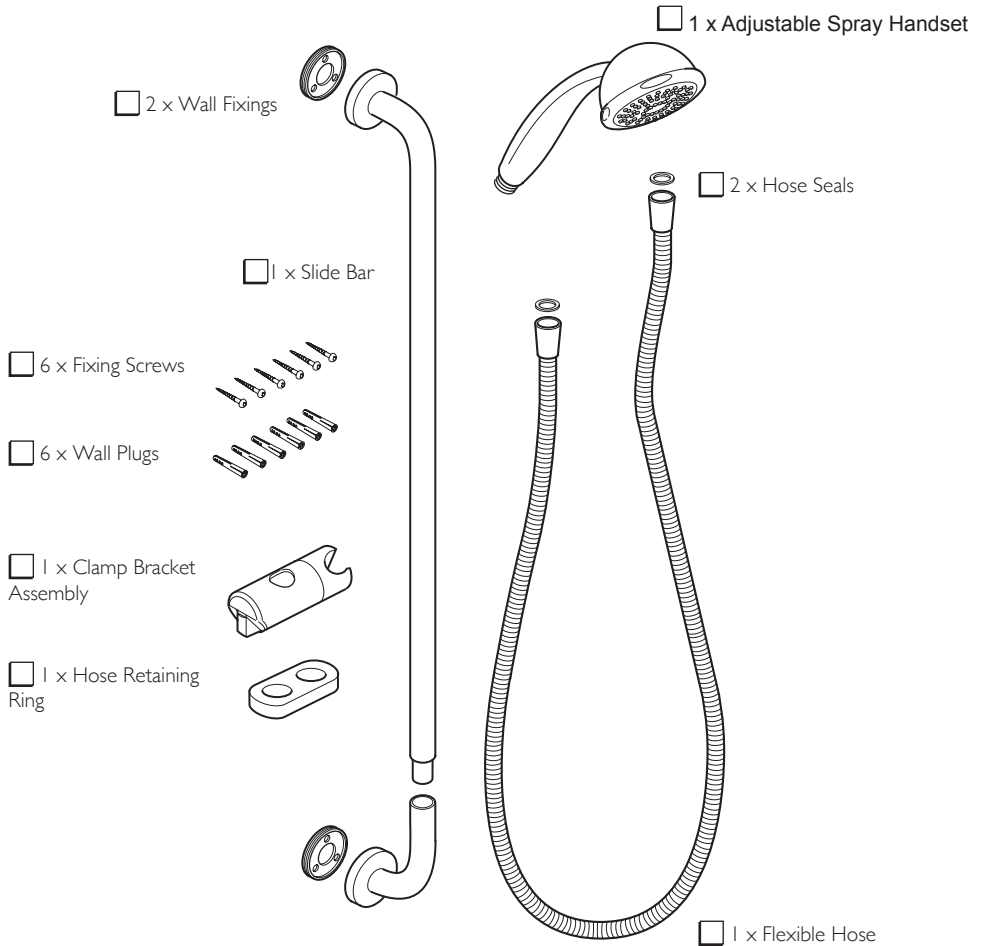
1. Before connecting the shower fitting the supply pipework MUST be flushed to clear debris.
2. A hose retaining ring is supplied to prevent the handset from dropping below the spill-over level of the bath or shower, which could lead to contamination from back-siphonage.
3. Installations MUST comply with all the Local and National Water Supply Authority Regulations and Byelaws (Scotland), Building and Plumbing Regulations in force at the time of installation. The installation should be carried out by a plumber or contractor who is registered, or is a member of, an association such as:
  - 3.1 Institute of Plumbing (IOP), throughout the UK.
  - 3.2 National Association of Plumbing, Heating and Mechanical Services
  - 3.3 Contractors (NAPH & MSC), England and Wales.  
Scottish and Northern Ireland Plumbing Employers' Federation (SNIPEF), Scotland and Northern Ireland.
4. When installing the shower fittings in a cubicle, it is best positioned to spray across rather than towards the opening of the cubicle.
5. Avoid layouts where the shower hose will be sharply kinked. This may reduce the life of the hose.
6. Do not use excessive force when making connections.
7. Do not install the shower fitting in a position where it could become frozen.
8. Layout and sizing of pipework should be such that when other services are used, pressures do not fall below the recommended minimum for the shower fitting as this will cause the spray pattern to collapse.

# PACK CONTENTS - EV Shower Fittings

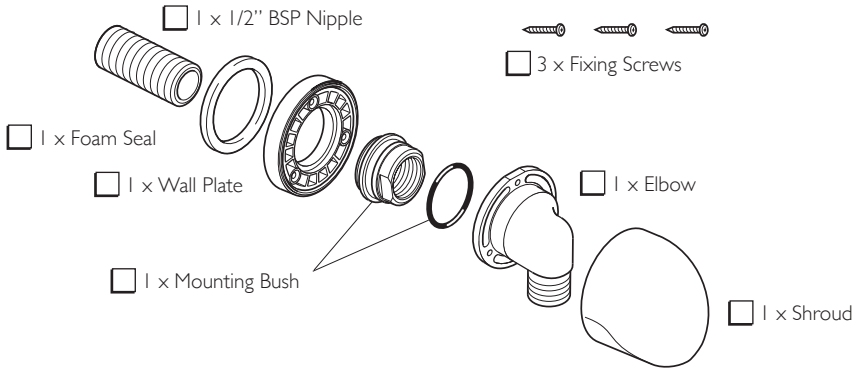
Tick the appropriate boxes to familiarise yourself with the part names and to confirm that the parts are included.



# PACK CONTENTS - Heavy Duty EV Shower Fittings

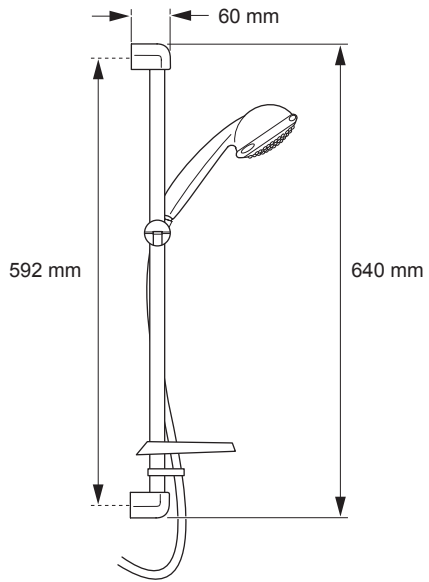


# PACK CONTENTS - Right Angled Connector (RAC)

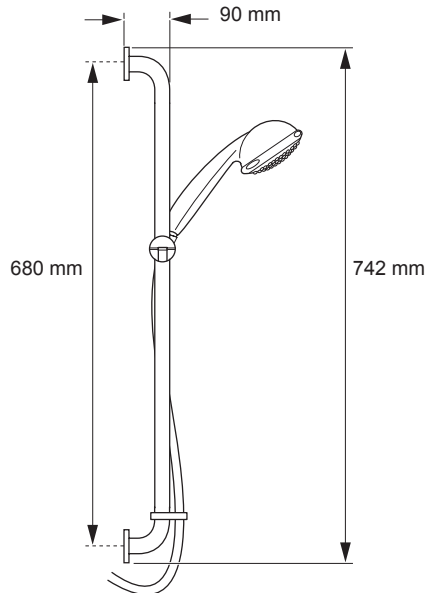


# DIMENSIONS

EV Shower Fittings



Heavy Duty EV Shower Fittings





## INSTALLATION - EV Shower Fittings

Read the section: 'Installation Requirements' first.

The slide bar should be fixed to the wall to one side of the shower control, at a convenient height for all users. It should be positioned so that the handset discharges down the centre line of the bath, or across the opening of a shower cubicle and should be directed away from the shower control.

1. Fit the clamp bracket assembly and hose retaining ring onto the slide bar.  
**Note!** Fit the small diameter hole on the hose retaining ring onto the slide bar.

2. Fit the end supports to each end of the slide bar, making sure that they locate correctly.

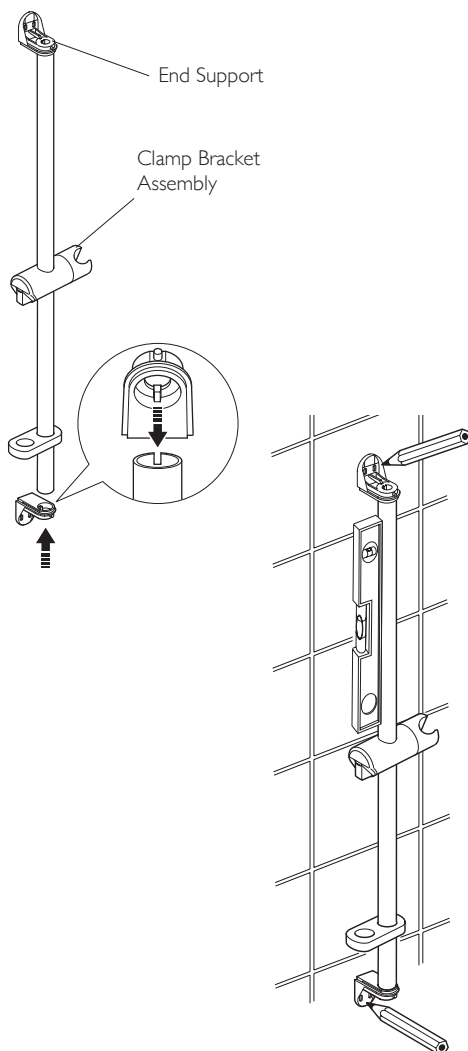
3. Hold the slide bar assembly against the wall in the desired position and make sure that it is level and upright.

4. Using the slide bar assembly as a template, mark the positions of the fixing holes.

**Caution!** Make sure that you avoid buried pipes and cables when you drill the wall.

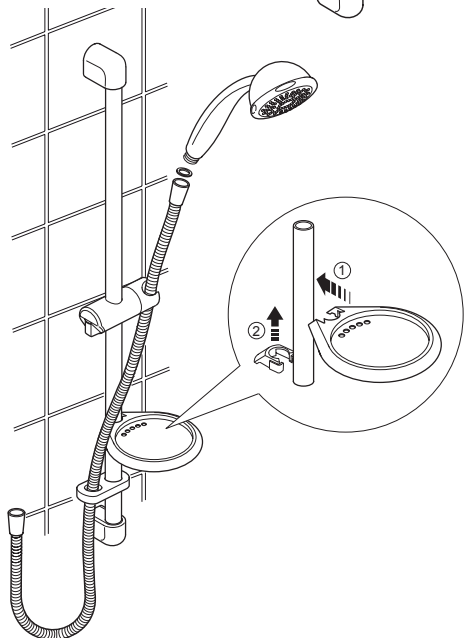
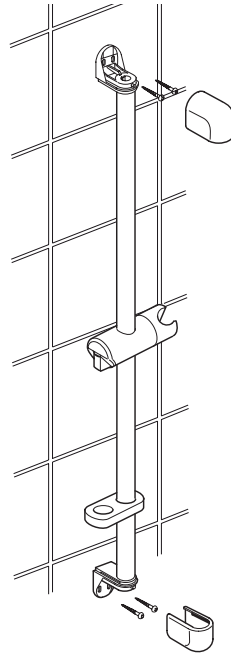
5. Drill the four 8.0 mm fixing holes and fit the wall plugs.

**Note!** Installers may wish to obtain alternative proprietary cavity fixings, when installing on to a dry lined, stud partition, shower cubicle or laminated panel wall structures. However, these methods of fixing are beyond the scope of this guide.



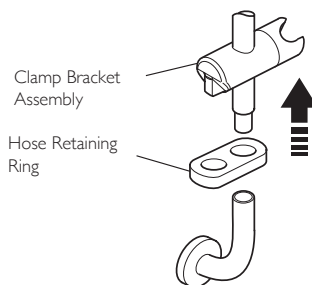
## INSTALLATION - EV Shower Fittings

- Secure the slide bar assembly to the wall with the fixing screws (4 off).
- Fit the covers over the end supports, making sure that they locate correctly.
- Attach the hose to the handset. Make sure that the hose washer is fitted. Do not overtighten.
- Place the handset in the clamp bracket. Pass the free end of the hose through the hose retaining ring.
- If necessary fit the RAC assembly, refer to section: 'Right Angled Connector (RAC)'.
- Attach the hose to the outlet of the shower control or the RAC assembly. Make sure that the hose washer is fitted. Do not overtighten.
- Carefully fit the soap dish clip to the slide bar and attach the soap dish.



## INSTALLATION - Heavy Duty EV Shower Fittings

1. Fit the clamp bracket assembly and hose retaining ring onto the slide bar.  
**Note!** Fit the small diameter hole on the hose retaining ring onto the slide bar; this should be a tight fit.



2. Assemble the two sections of the slide bar together, making sure that they locate correctly.

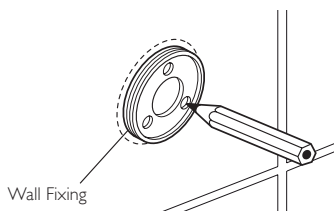
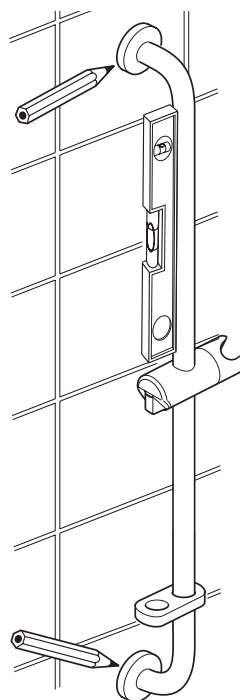
3. Hold the slide bar assembly against the wall in the desired position and make sure that it is level and upright.

4. Using the slide bar assembly as a template, mark the positions of the wall fixings.

5. Using the wall fixings as a template, mark the positions of the fixing holes.  
**Caution!** Make sure that you avoid buried pipes and cables when you drill the wall.

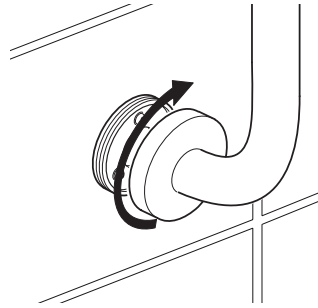
6. Drill the six 8.0 mm fixing holes and fit the wall plugs.  
**Note!** Installers may wish to obtain alternative proprietary cavity fixings, when installing on to a dry lined, stud partition, shower cubicle or laminated panel wall structures. However, these methods of fixing are beyond the scope of this guide.

7. Secure the wall fixings to the wall with the fixing screws (6 off).

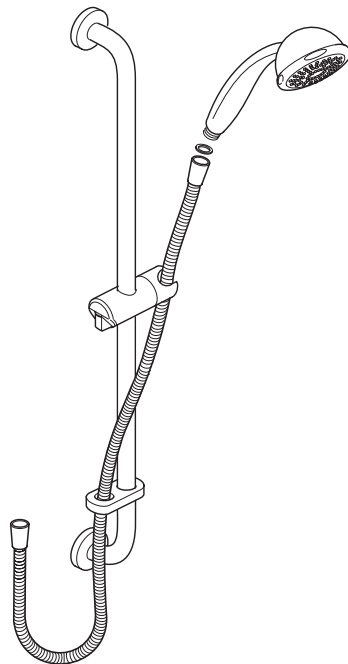


## INSTALLATION - Heavy Duty EV Shower Fittings

- Secure the slide bar assembly to the wall.
- Attach the hose to the handset. Make sure that the hose washer is fitted. Do not overtighten.



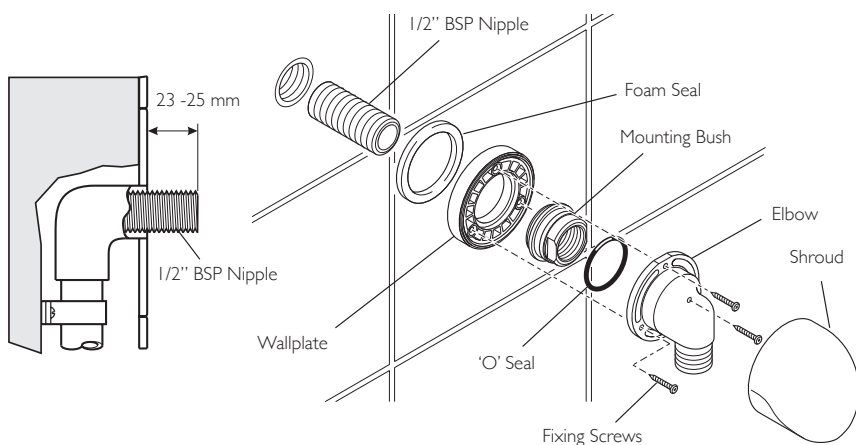
- Place the handset in the clamp bracket. Pass the free end of the hose through the hose retaining ring.
- If necessary fit the RAC assembly, refer to section: '**Right Angled Connector (RAC)**'.
- Attach the hose to the outlet of the shower control or the RAC assembly. Make sure that the hose washer is fitted. **Do not overtighten.**



## INSTALLATION - Right Angled Connector (RAC)

The RAC should be positioned above and offset to one side of the top outlet of the shower control. The RAC is offset to prevent the flexible hose from obstructing the shower temperature and flow control knobs. The pipework between the shower control and the 1/2" BSP female fitting is not supplied with the shower control.

1. The supply pipe from the shower control must terminate at the wall surface with a 1/2" BSP female thread. The end of the fitting must be flush with, or up to 5 mm below the finished surface of the wall.
2. Apply liquid sealant or PTFE tape to the 1/2" BSP brass nipple. Do not use paste.
3. Screw the brass nipple into the female fitting, until it projects between 23 and 25 mm from the finished surface of the wall. If the brass nipple projects greater than 25 mm it will prevent the elbow from engaging with the wallplate. If necessary, cut the brass nipple to the correct length and remove any burrs.
4. Place the wallplate over the brass nipple. Make sure that the foam seal abuts the finished wall surface.
5. Apply liquid sealant or PTFE tape to the exposed section of the brass nipple. Do not use paste.
6. Screw the mounting bush on to the brass nipple until it clamps the wallplate loosely against the wall.
7. Rotate the wallplate to align one of the fixing holes at the top centre.
8. Tighten the mounting bush to hold the wallplate in position. Flats on the mounting bush for a 24 mm A/F spanner.
9. Push the elbow fully on to the mounting bush and secure with the three fixing screws.
10. Locate the shroud over the elbow. Carefully push the shroud until it engages with the clip feature of the elbow.



# MAINTENANCE

## General

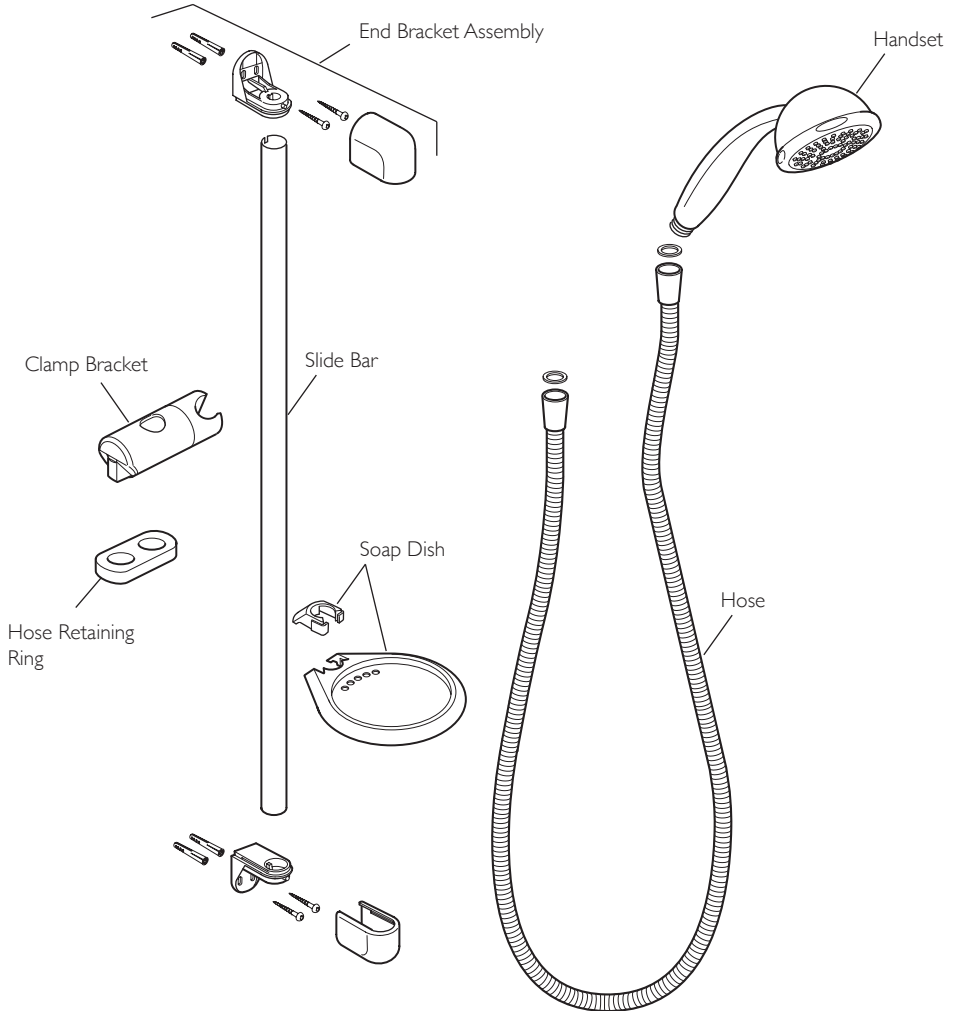
Dolphin products are precision-engineered and should give continued superior and safe performance, provided:

1. They are installed, commissioned, operated and maintained in accordance with these recommendations.
  2. Periodic attention is given as necessary to maintain the product in good functional order.
- 

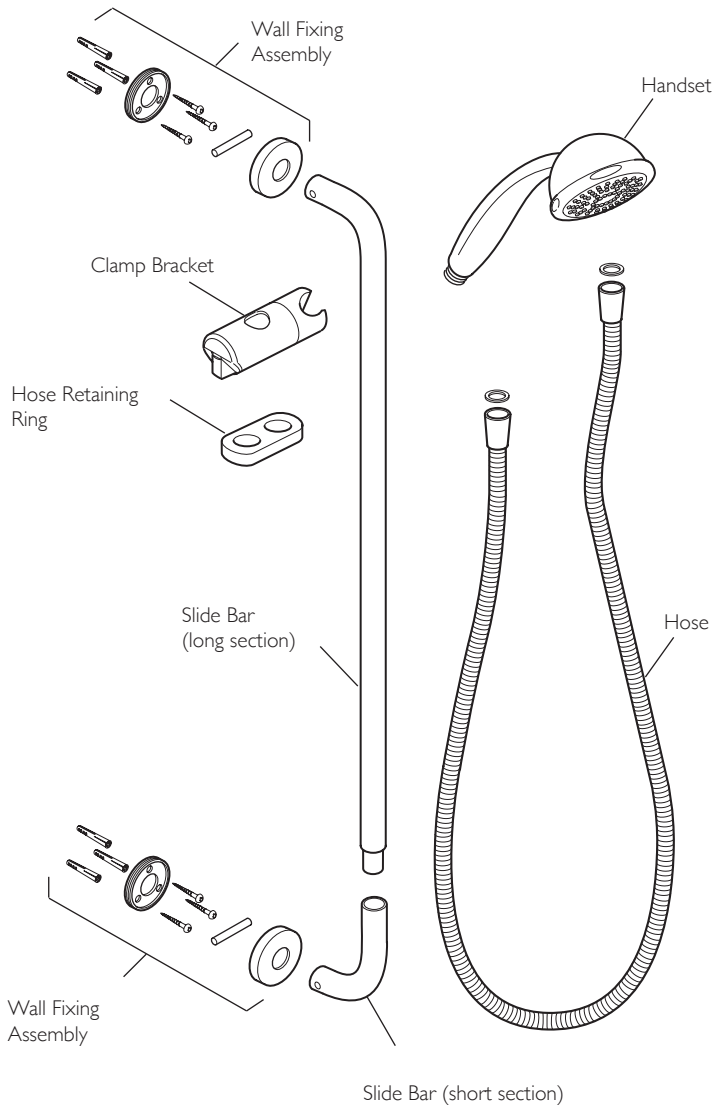
## Cleaning

Many household cleaners contain abrasive and chemical substances, and should not be used for cleaning plated or plastic fittings. These finishes should be cleaned with a mild washing up detergent or soap solution, and then wiped dry using a soft cloth.

# SPARE PARTS - EV Shower Fittings



# SPARE PARTS - Heavy Duty EV Shower Fittings







**Dolphin Solutions Ltd**

Southpoint, Compass Park, Bodiam,  
Robertsbridge, TN32 5BS

Tel: +44 (0)1424 20 22 24

Fax: +44 (0)1424 205 200

[info@dolphinsolutions.co.uk](mailto:info@dolphinsolutions.co.uk)

[www.dolphinsolutions.co.uk](http://www.dolphinsolutions.co.uk)