

DB5511.E

# DOLPHIN BLUE 126MM ELECTRONIC CISTERN AND FRAME

---

## ASSEMBLY INSTRUCTIONS



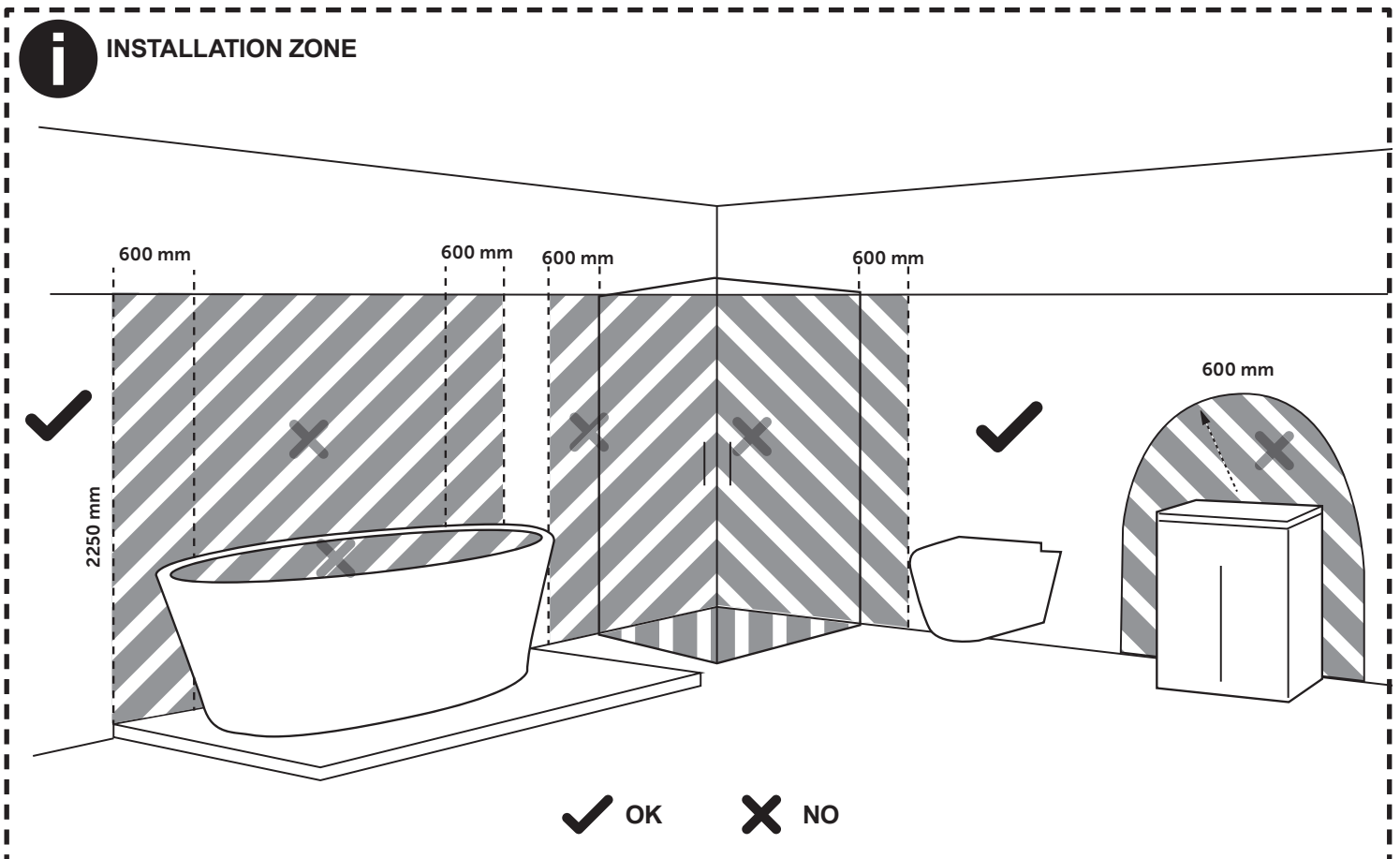
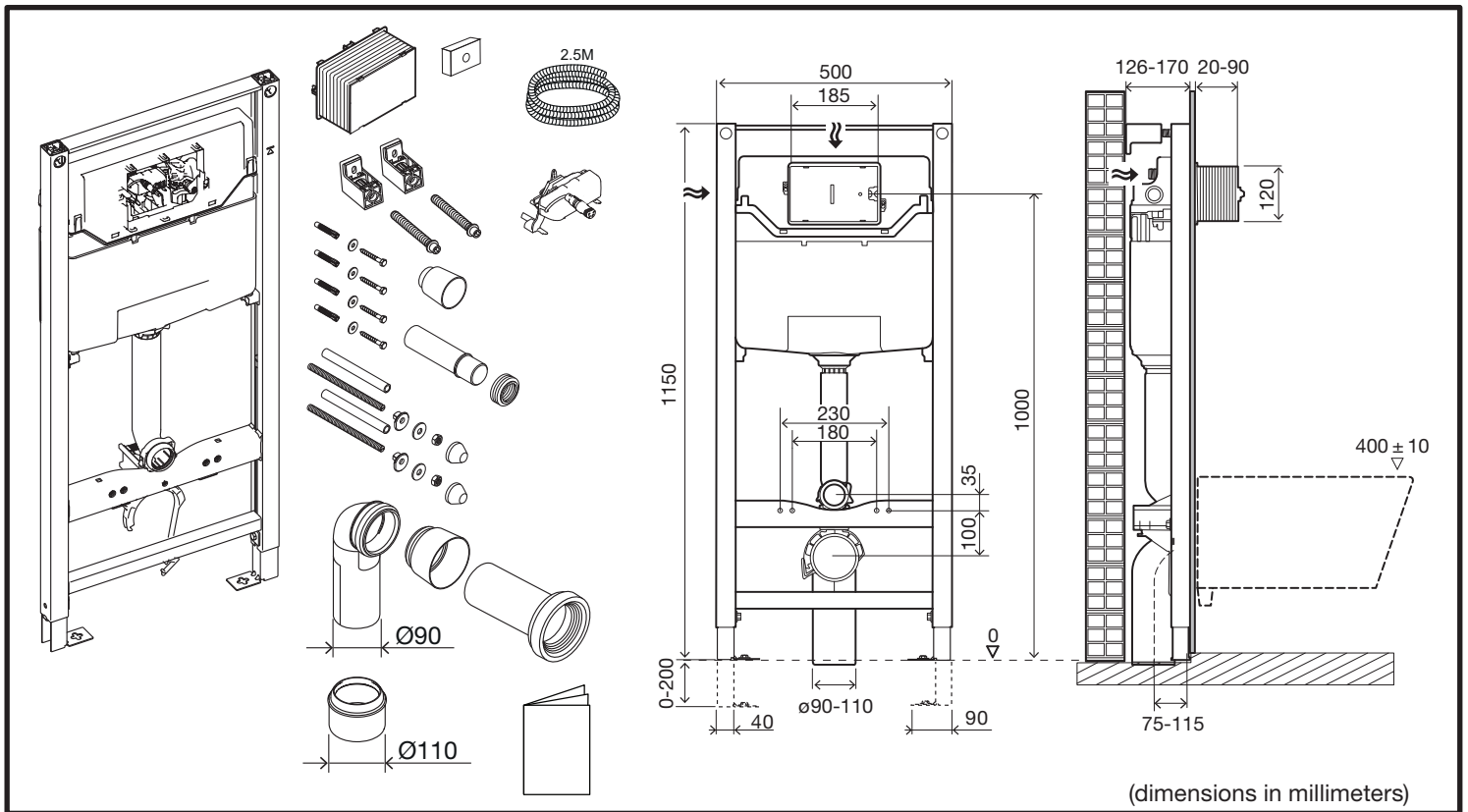
September 2022

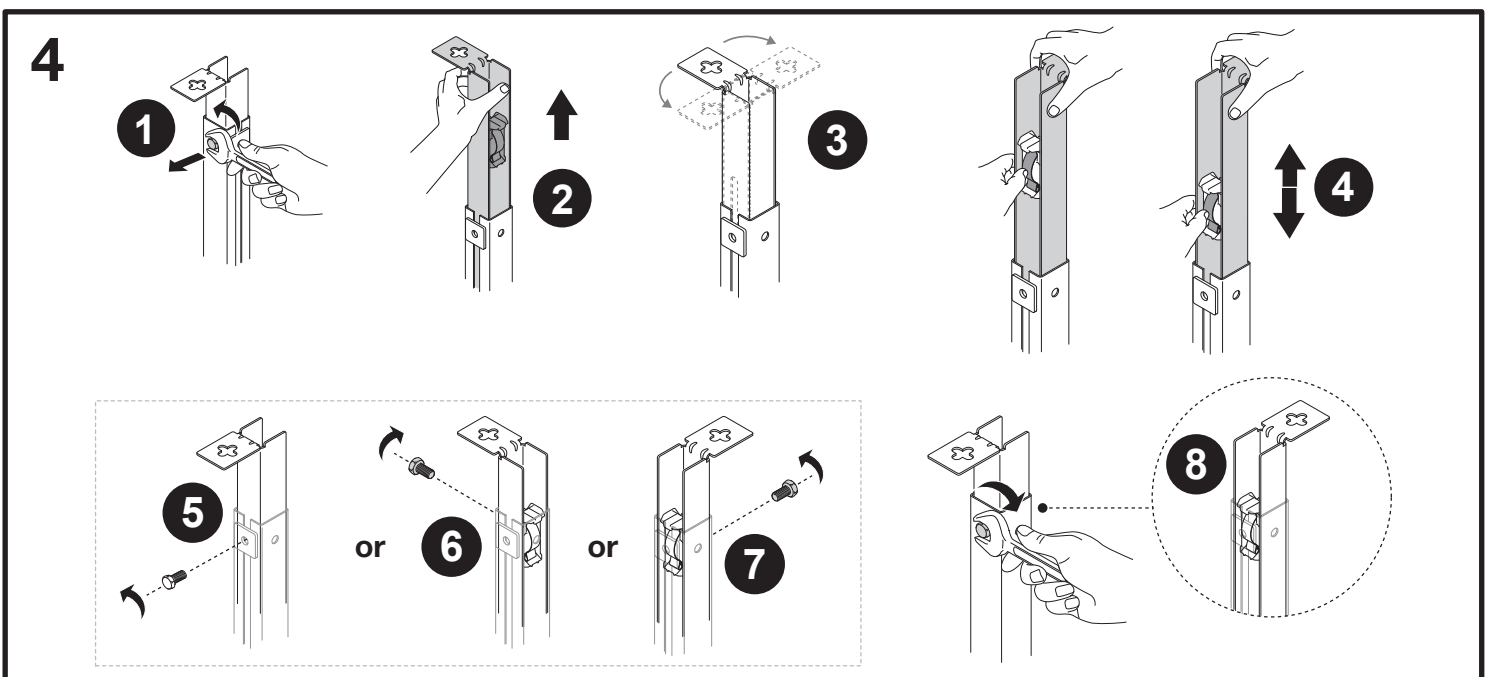
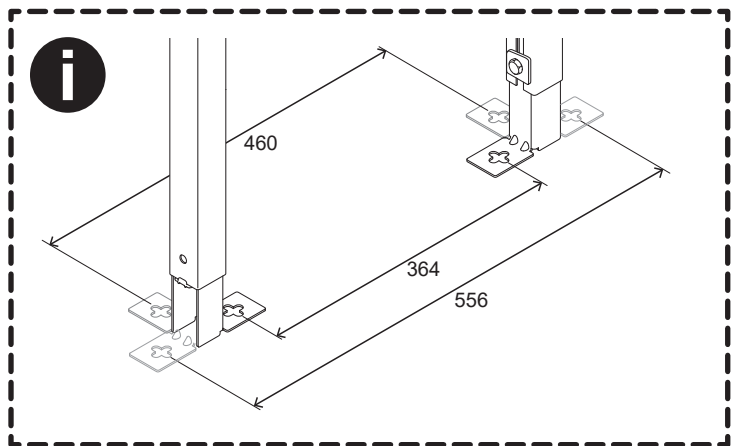
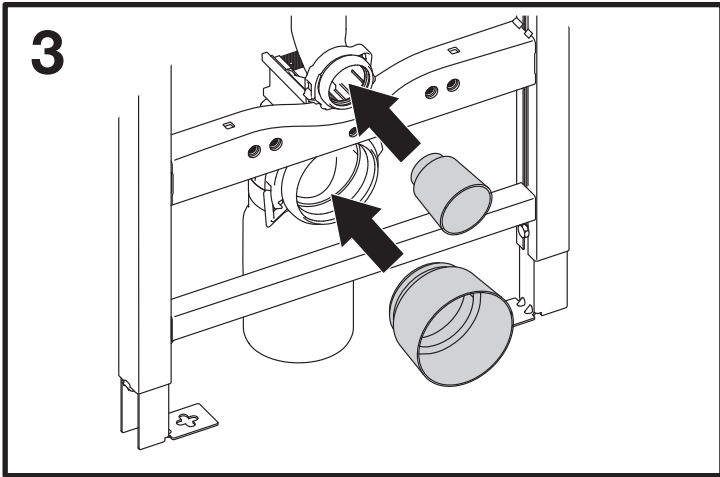
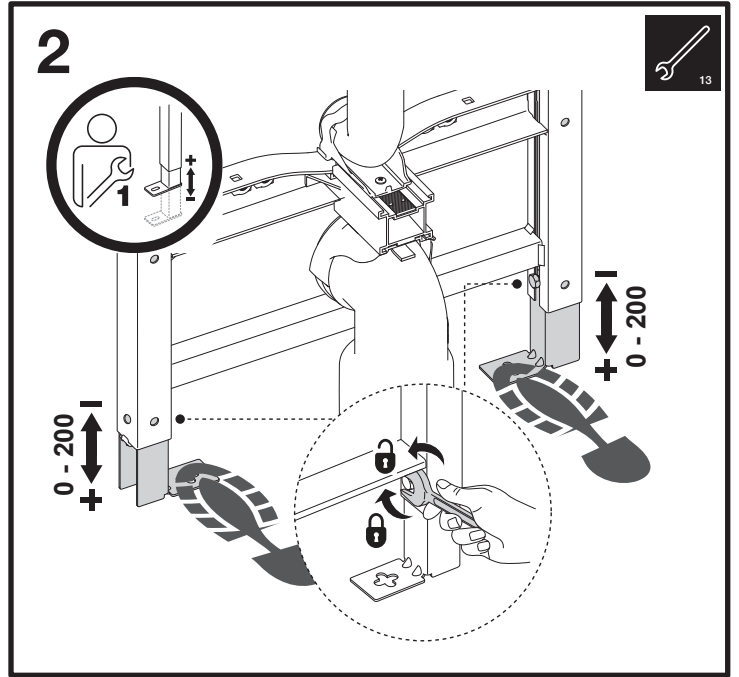
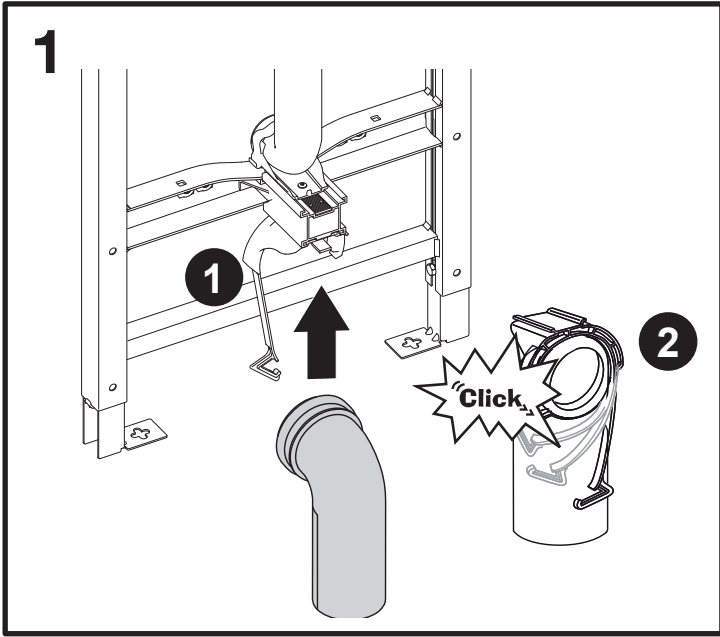
  
DOLPHIN  
BLUE

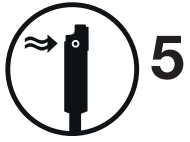
**PT** INSTRUÇÕES DE MONTAGEM  
**DE** MONTAGEANLEITUNG  
**GR** ΟΔΗΓΙΕΣ ΣΥΝΑΡΜΟΛΟΓΗΣΗΣ  
**ES** INSTRUCCIONES DE MONTAJE

**IT** ISTRUZIONE DI MONTAGGIO  
**FR** NOTICE DE MONTAGE  
**CZ** MONTÁŽNÍ NÁVOD  
**RU** ИНСТРУКЦИИ ПО МОНТАЖУ

**GB** ASSEMBLY INSTRUCTIONS  
**NL** MONTAGE INSTRUCTIES  
**DK** MONTAGE ANVISNING  
**NO** MONTERINGSANVISNING

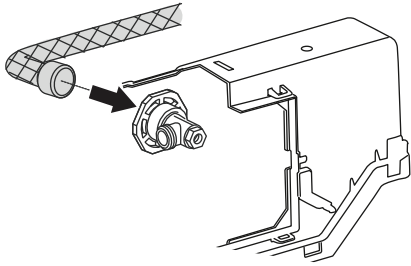




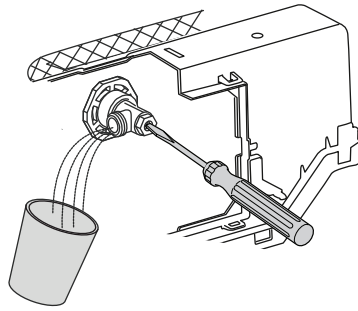


5

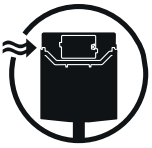
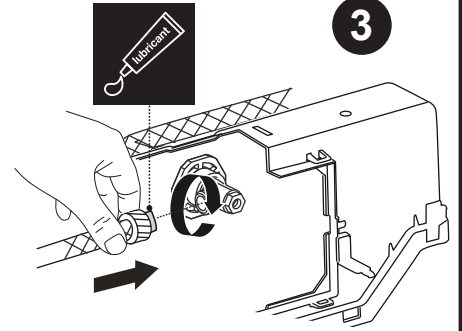
1



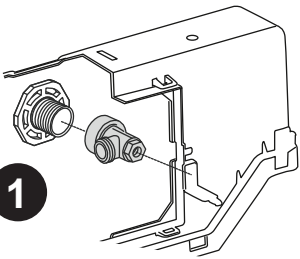
2



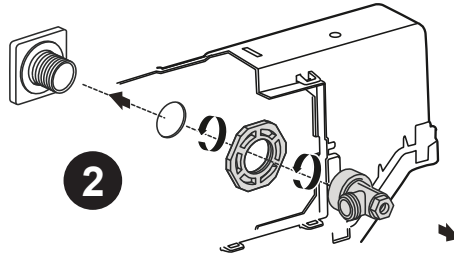
3



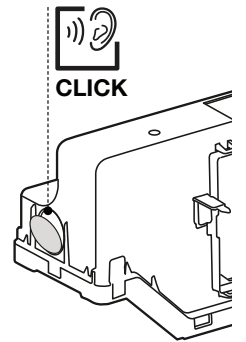
1



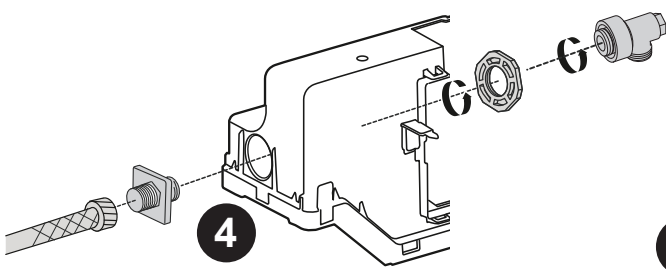
2



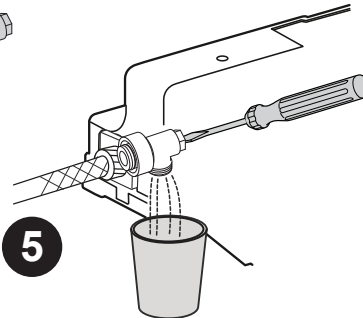
3



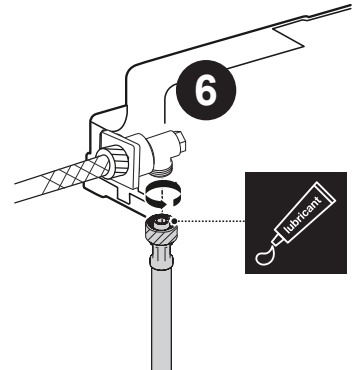
4

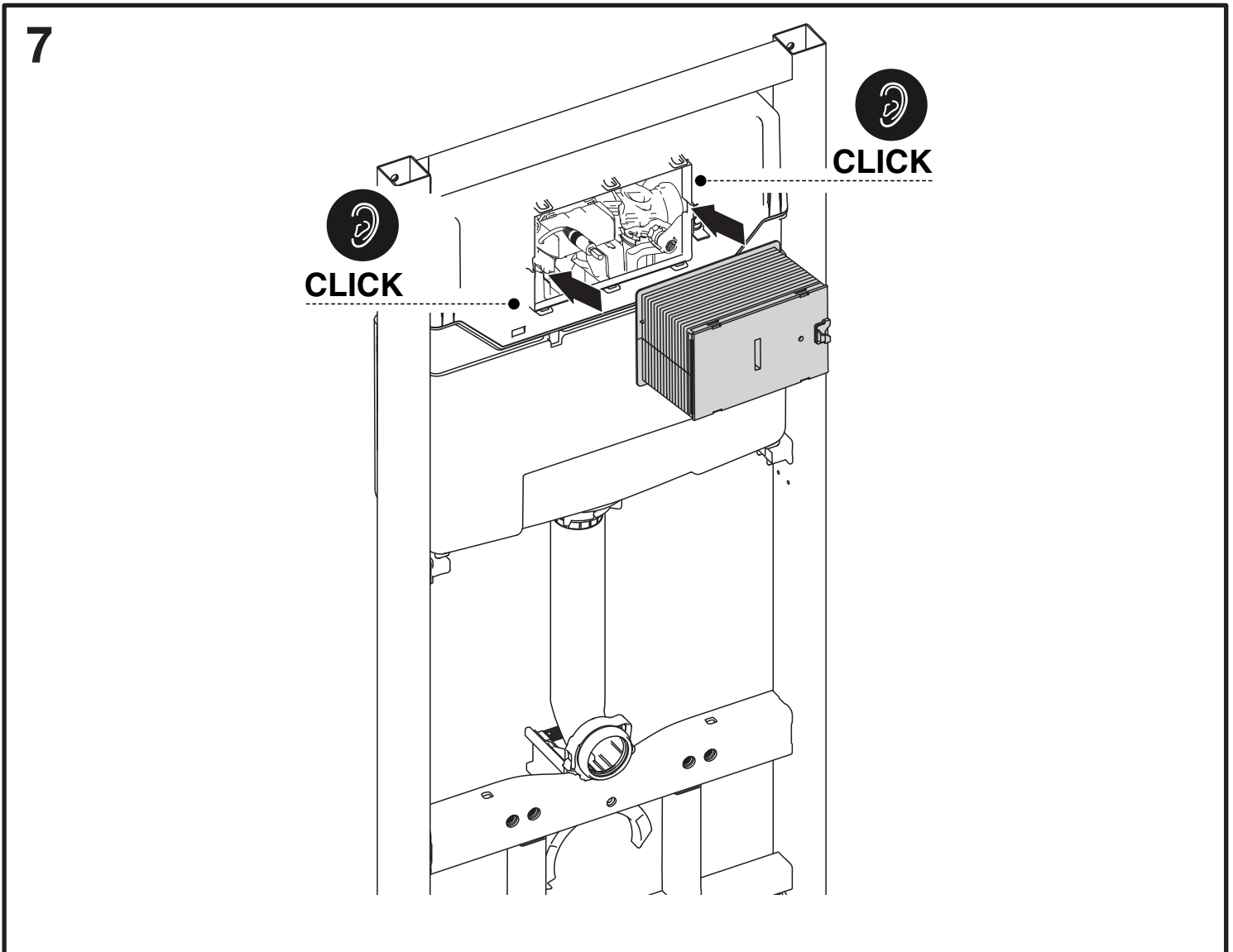
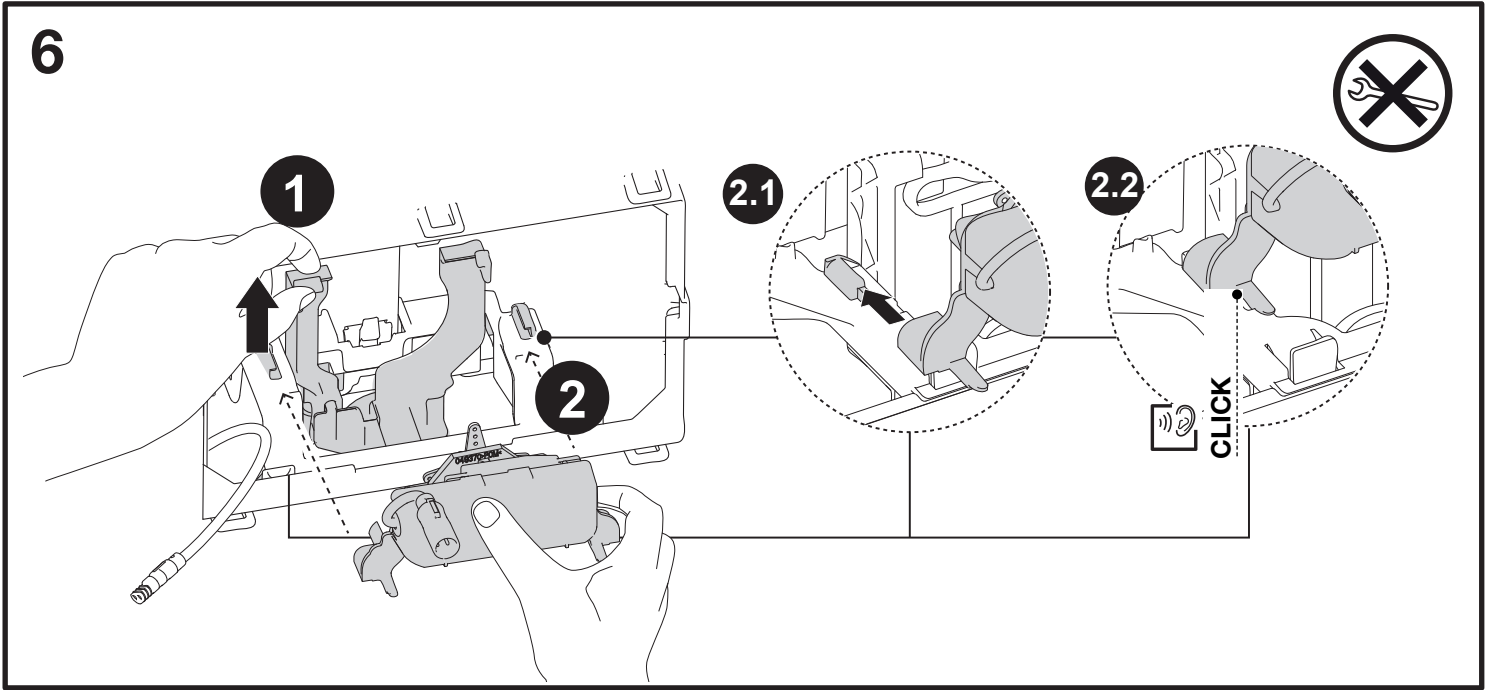


5

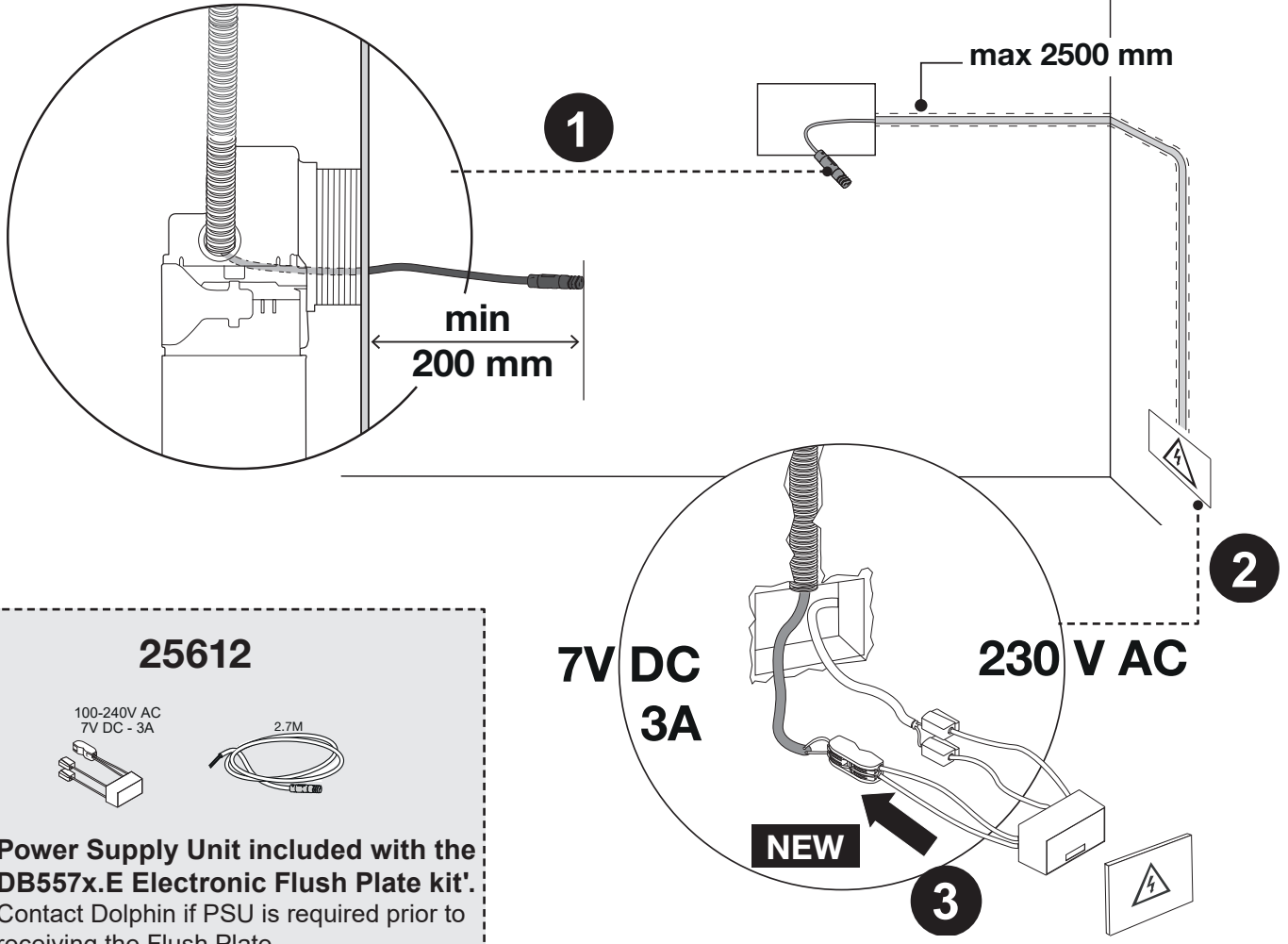


6





8

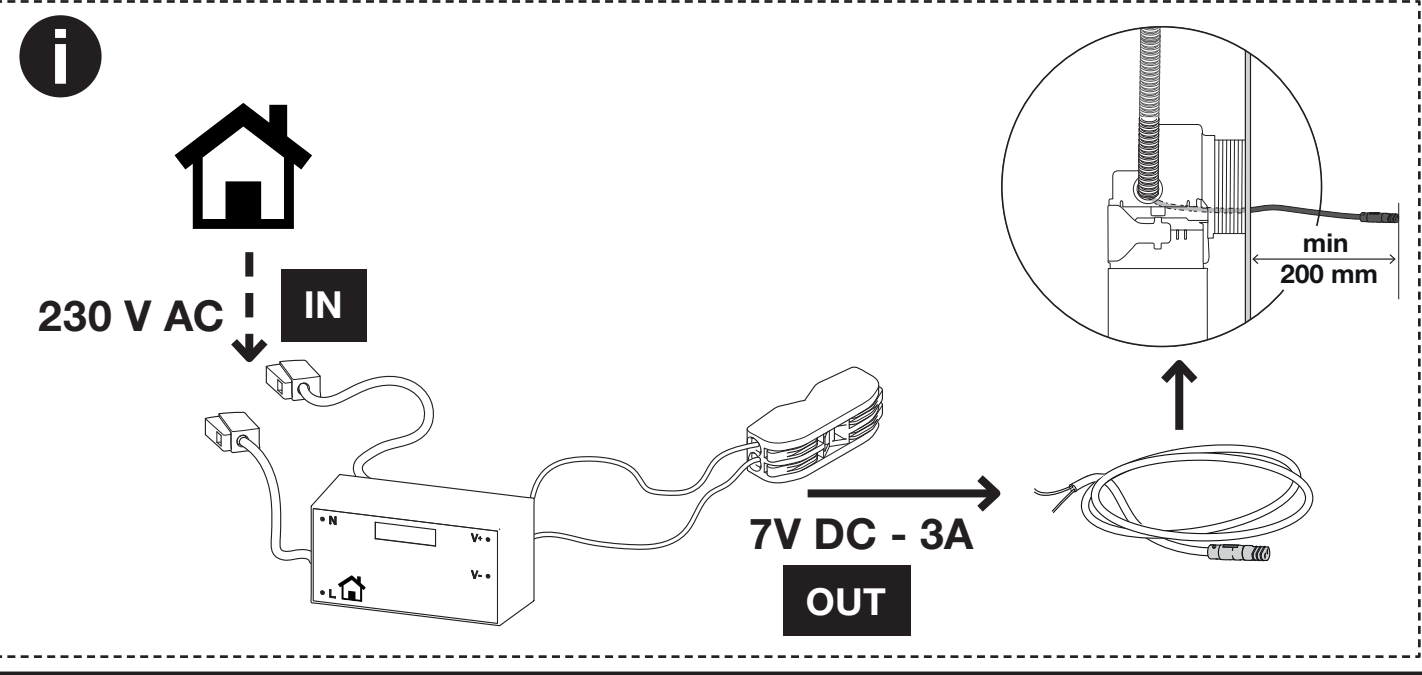


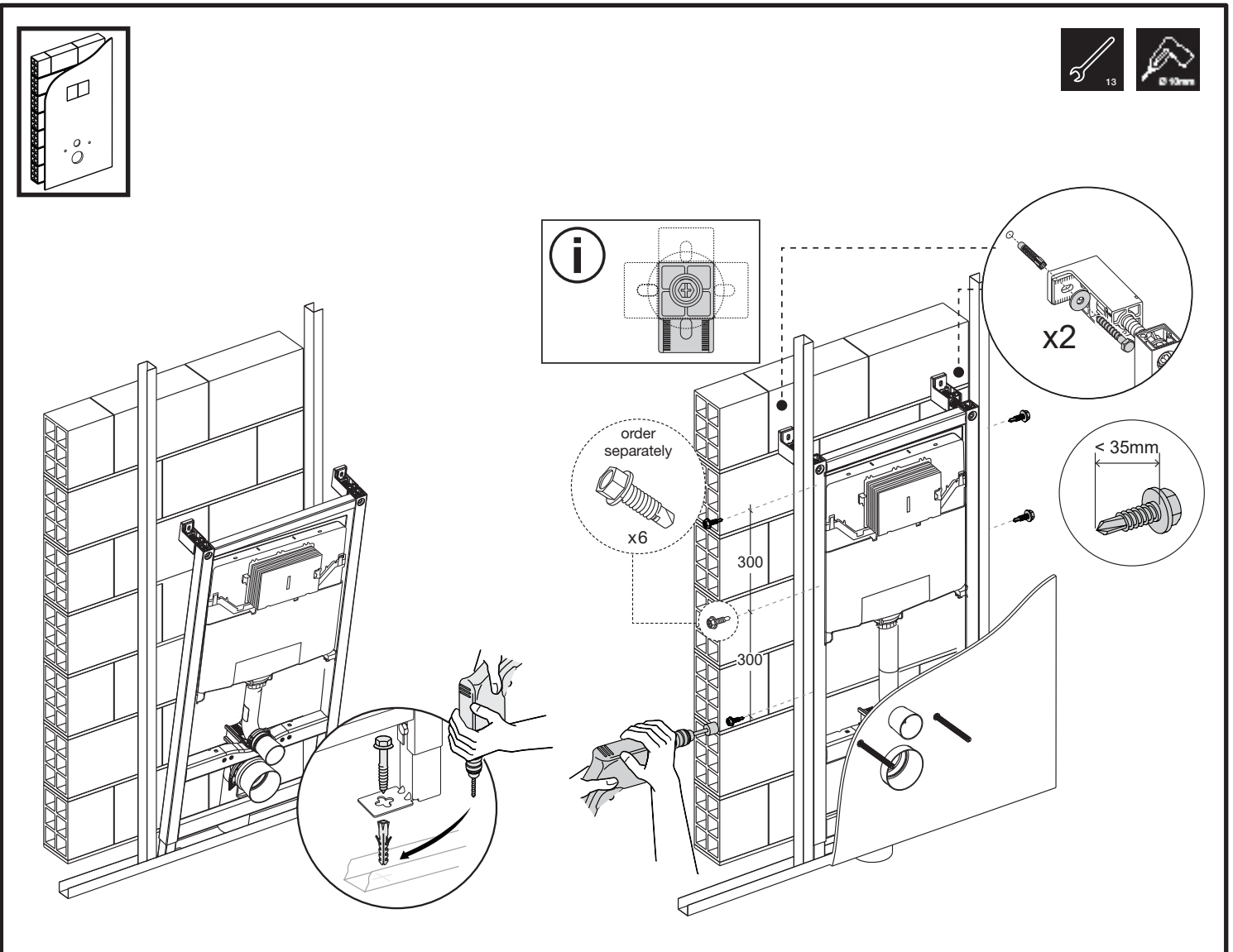
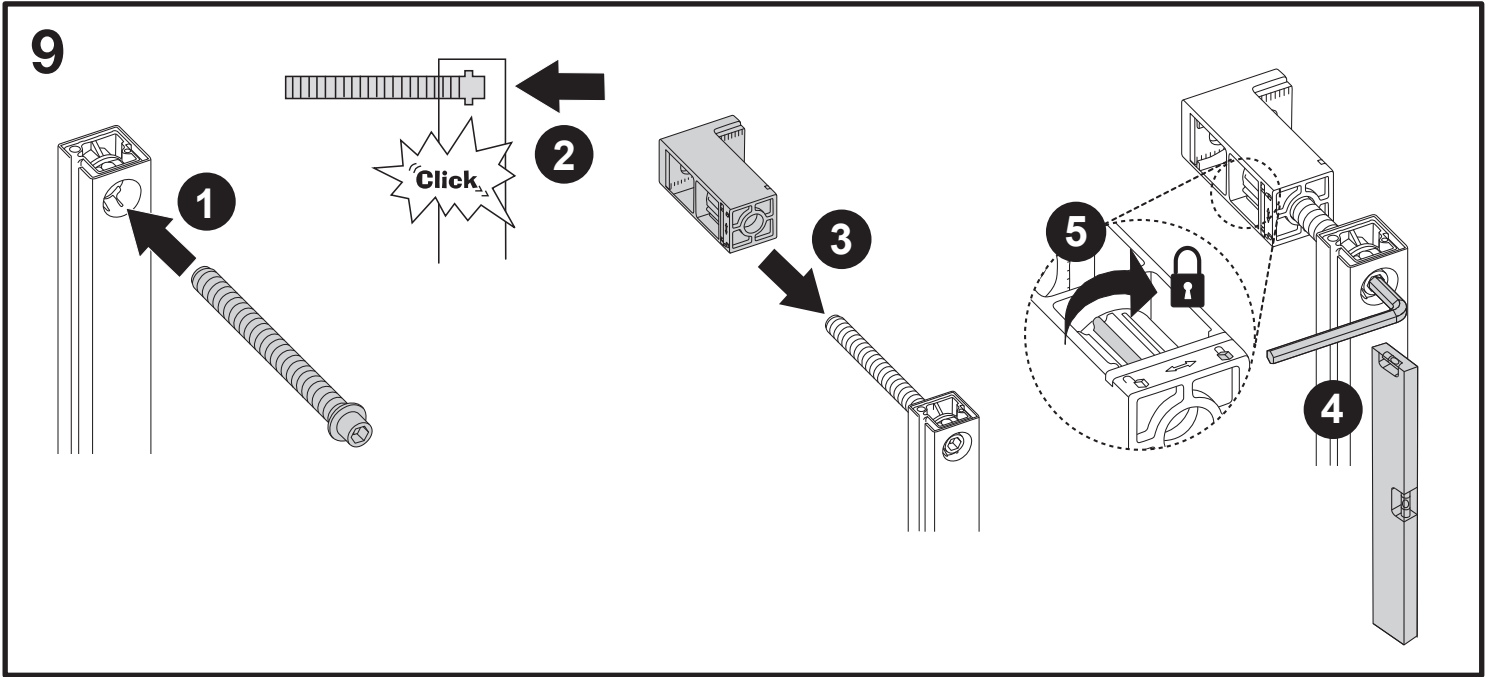
**25612**

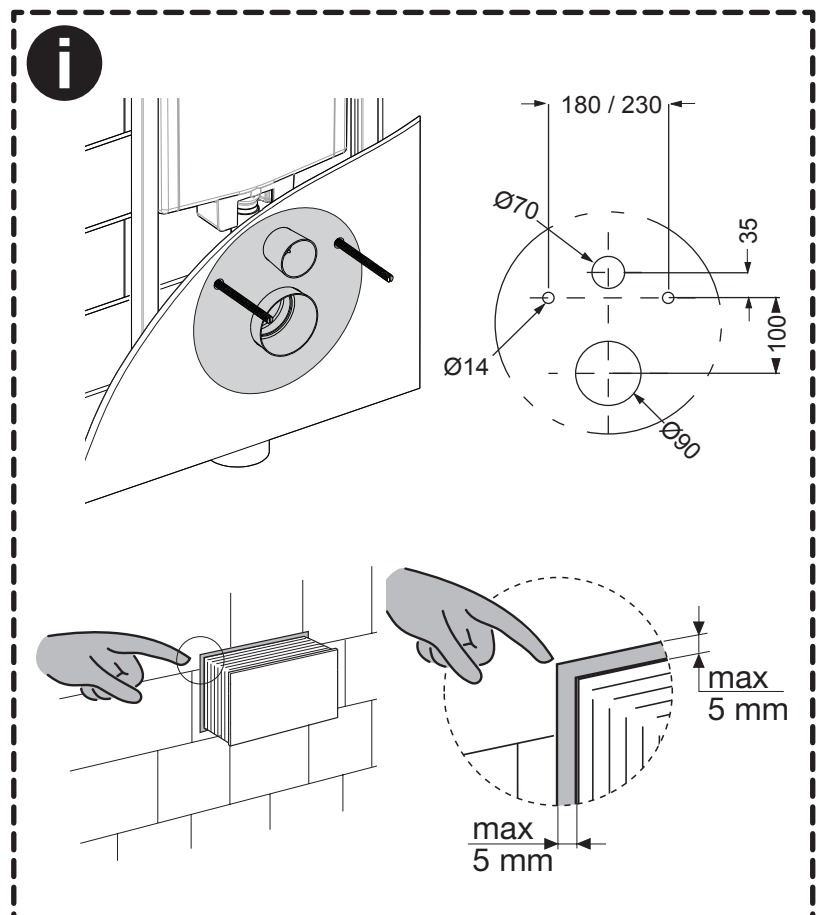
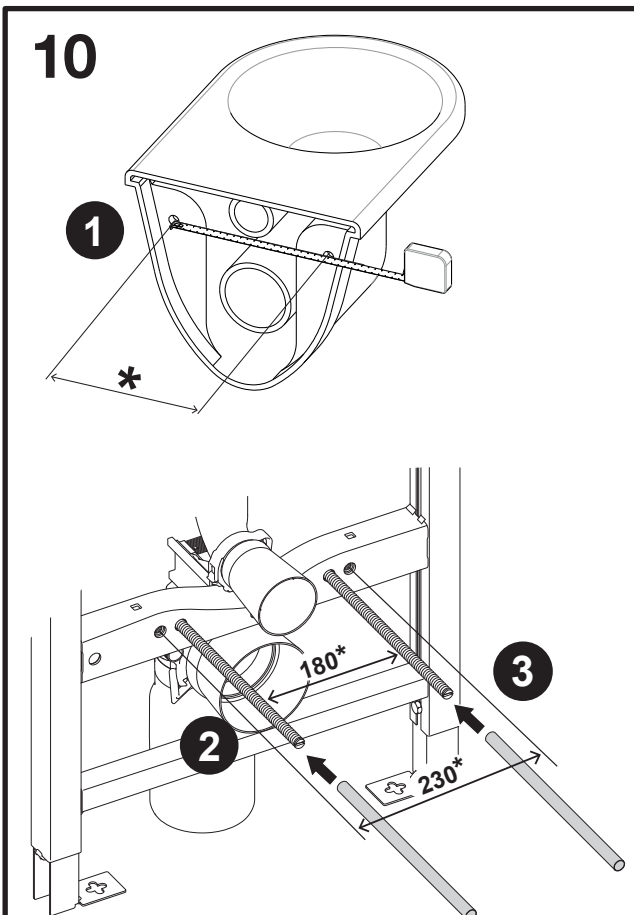
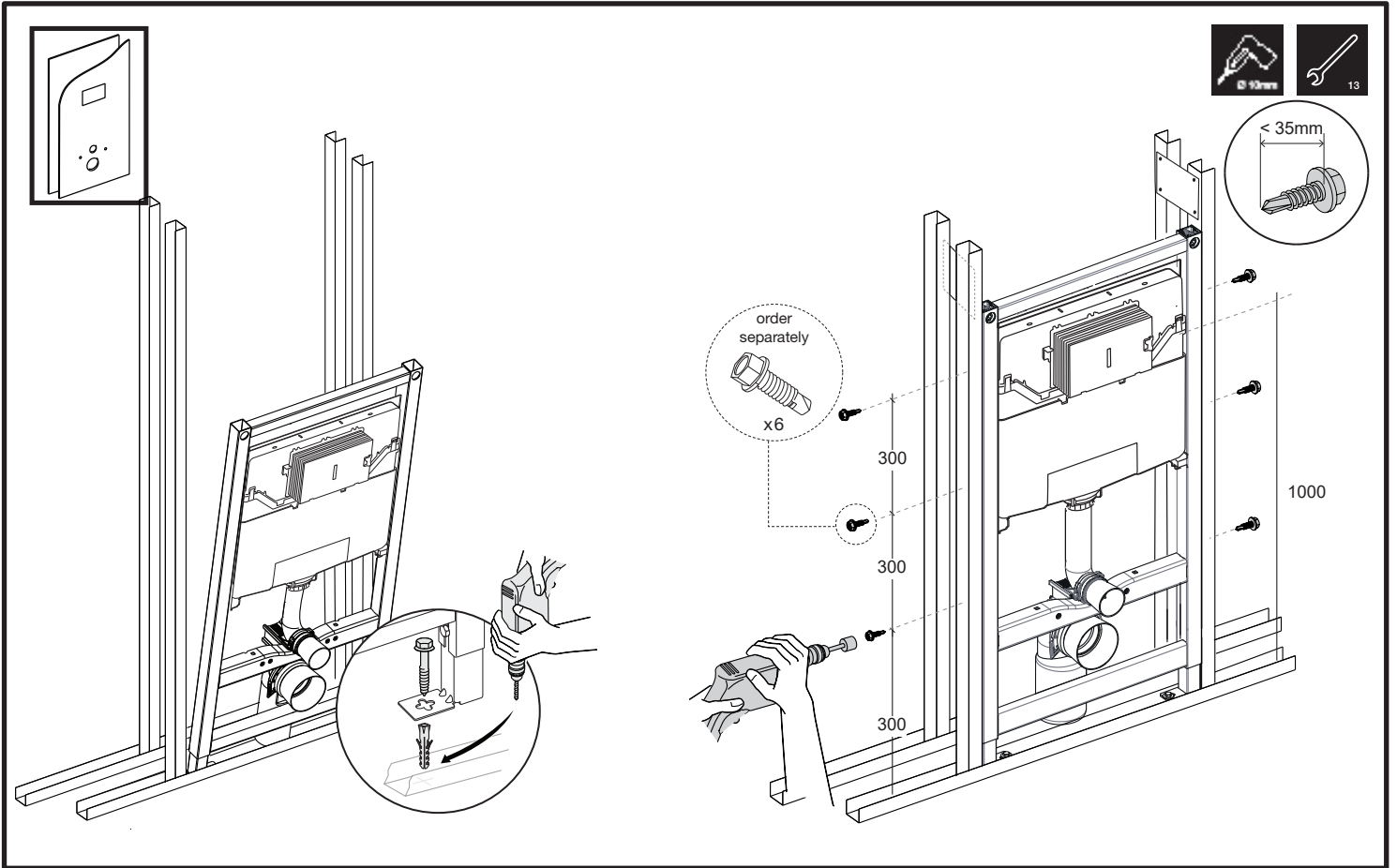
100-240V AC  
7V DC - 3A

2.7M

**Power Supply Unit included with the DB557x.E Electronic Flush Plate kit'. Contact Dolphin if PSU is required prior to receiving the Flush Plate**

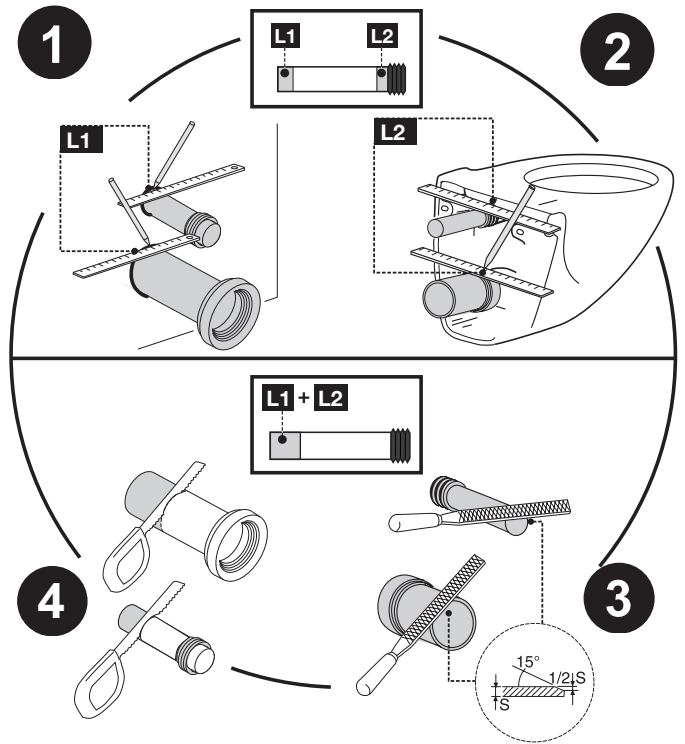
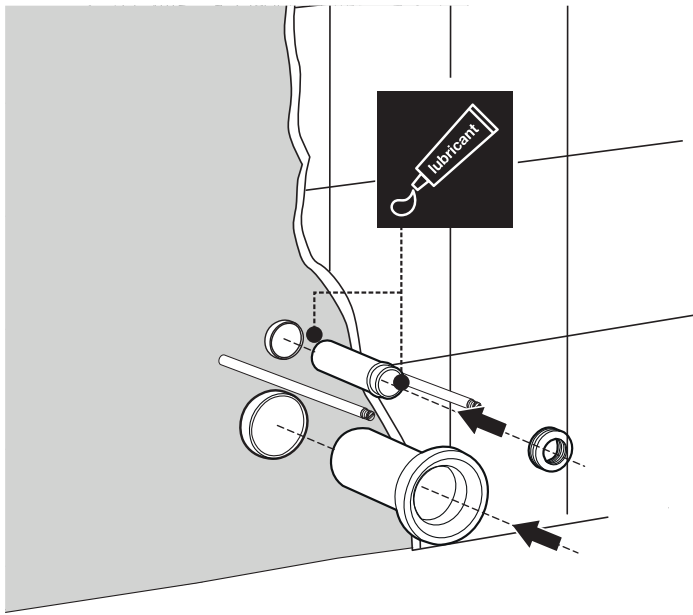




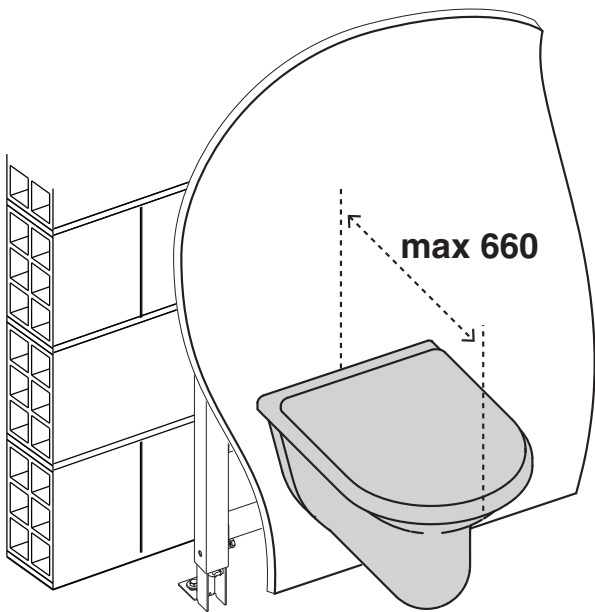




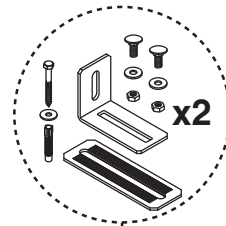
11



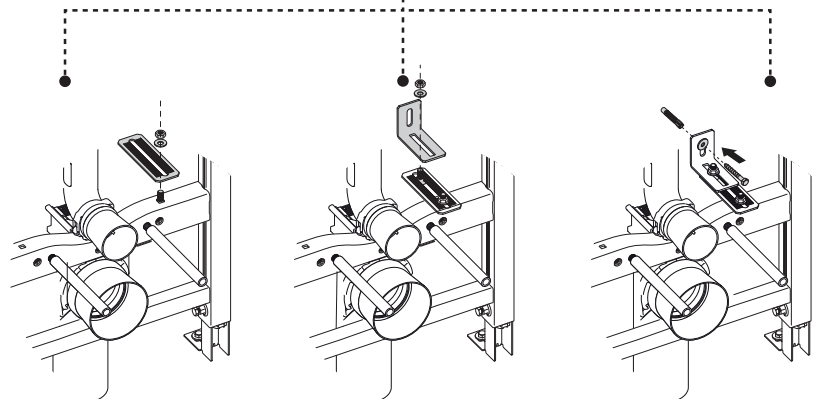
i



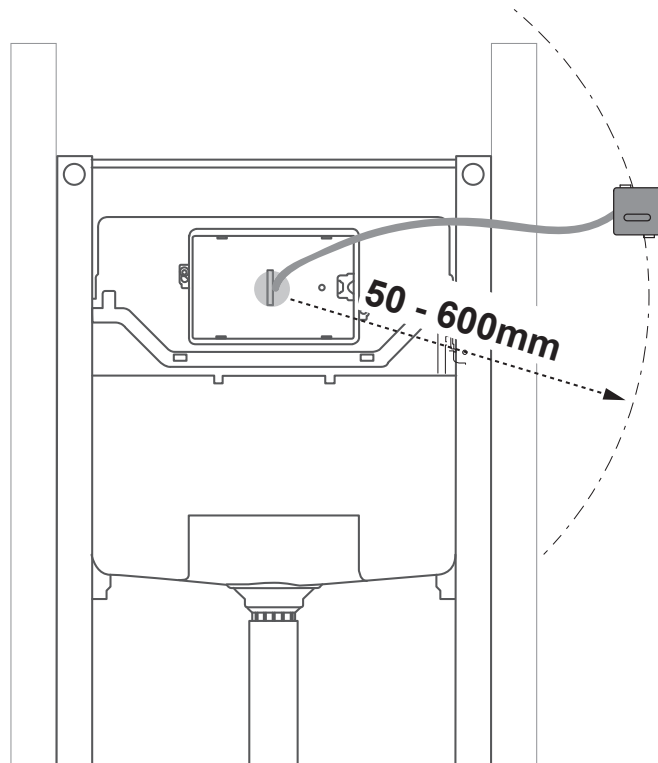
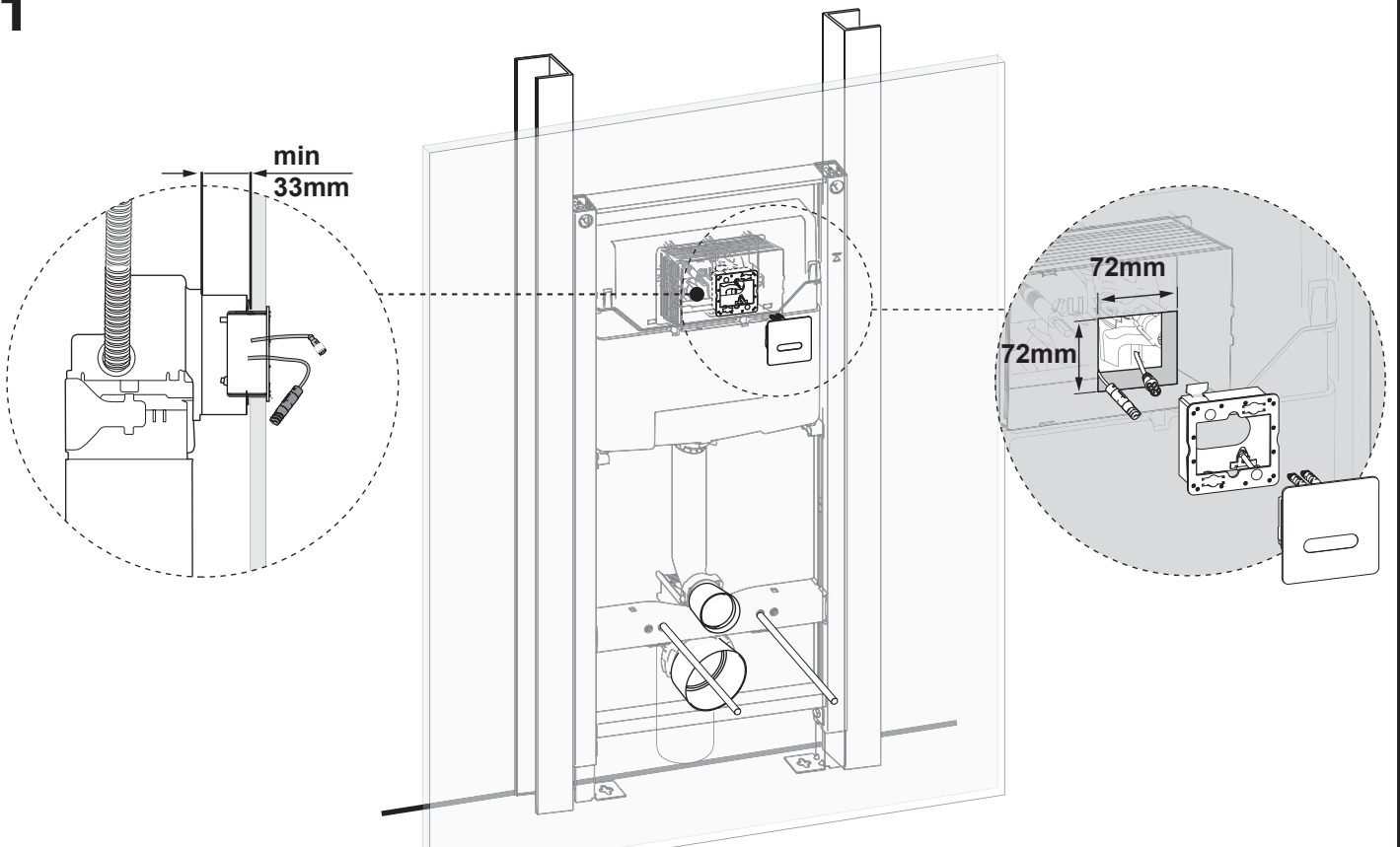
> 660

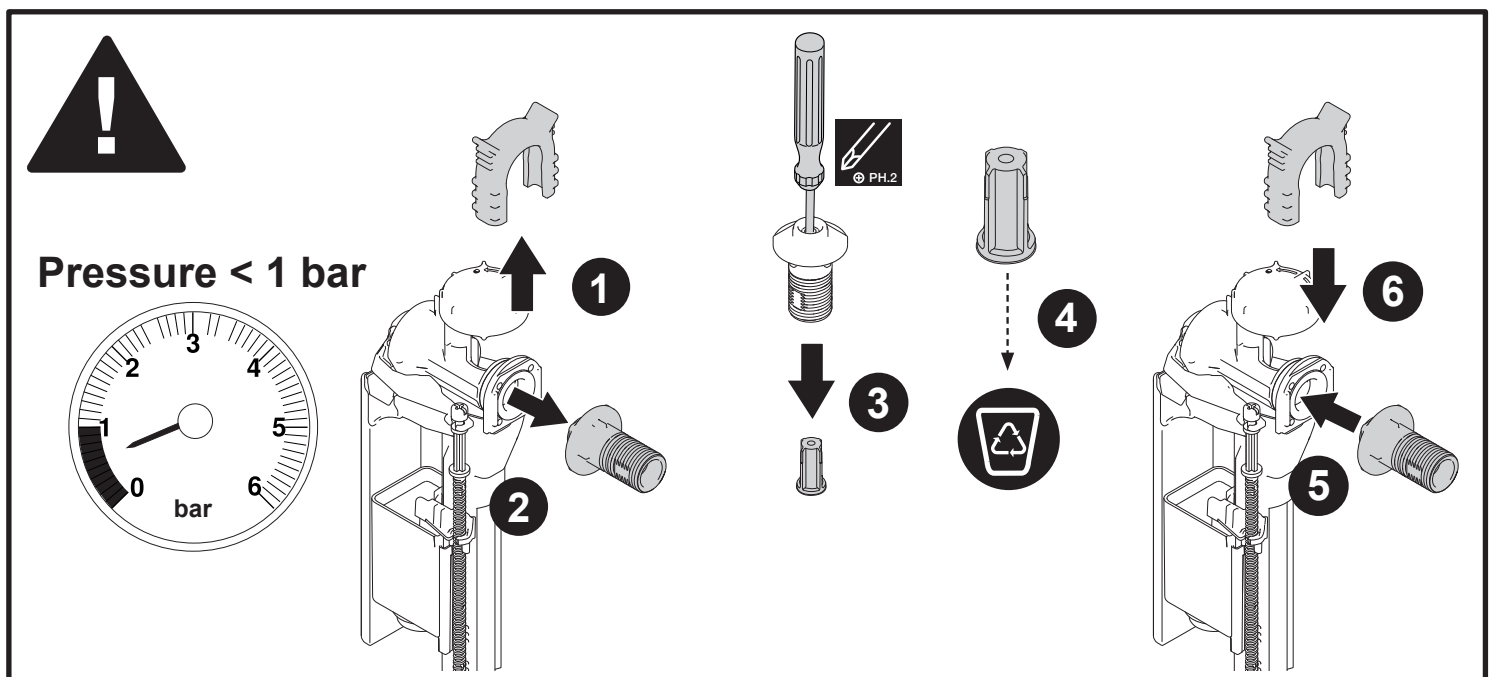
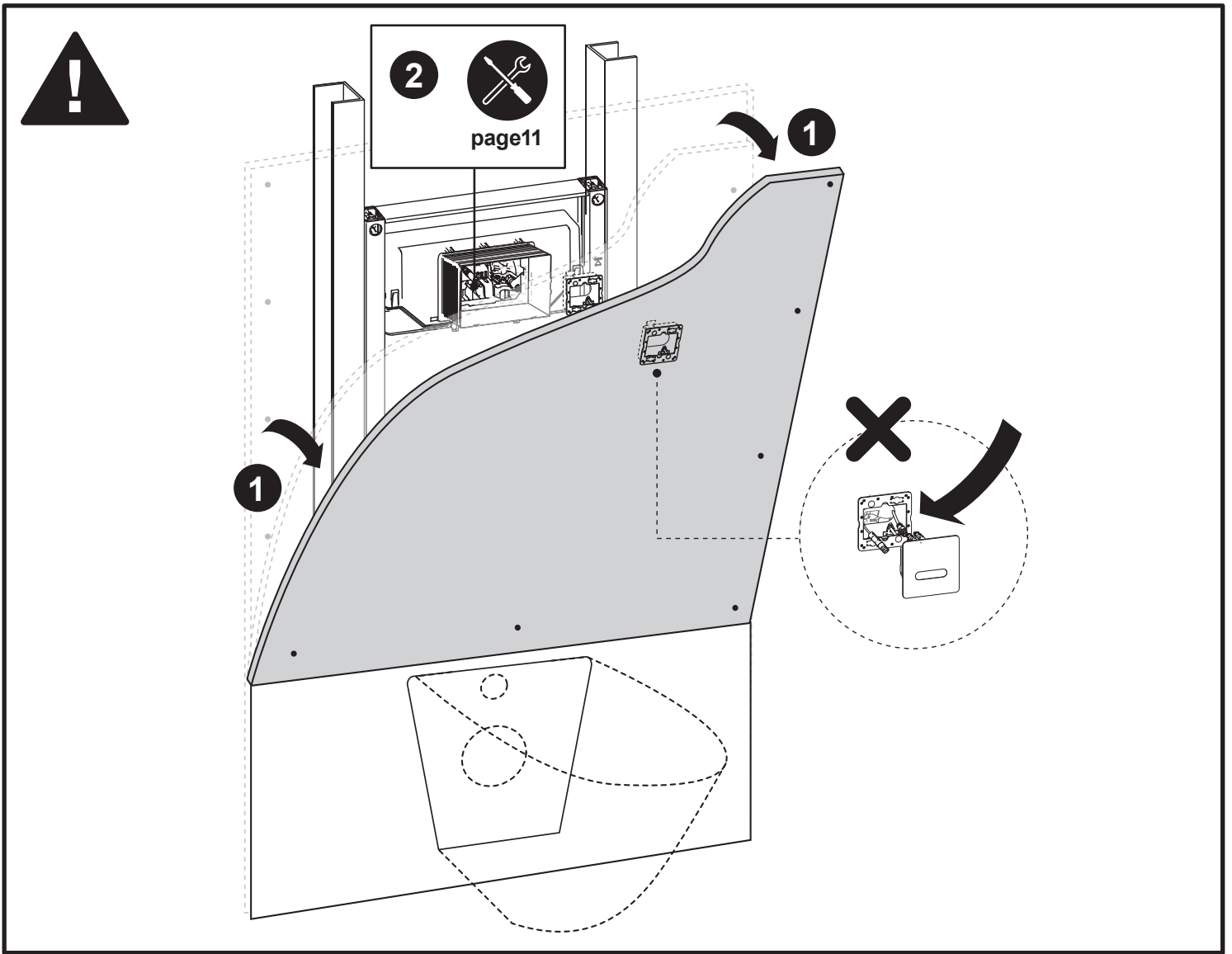


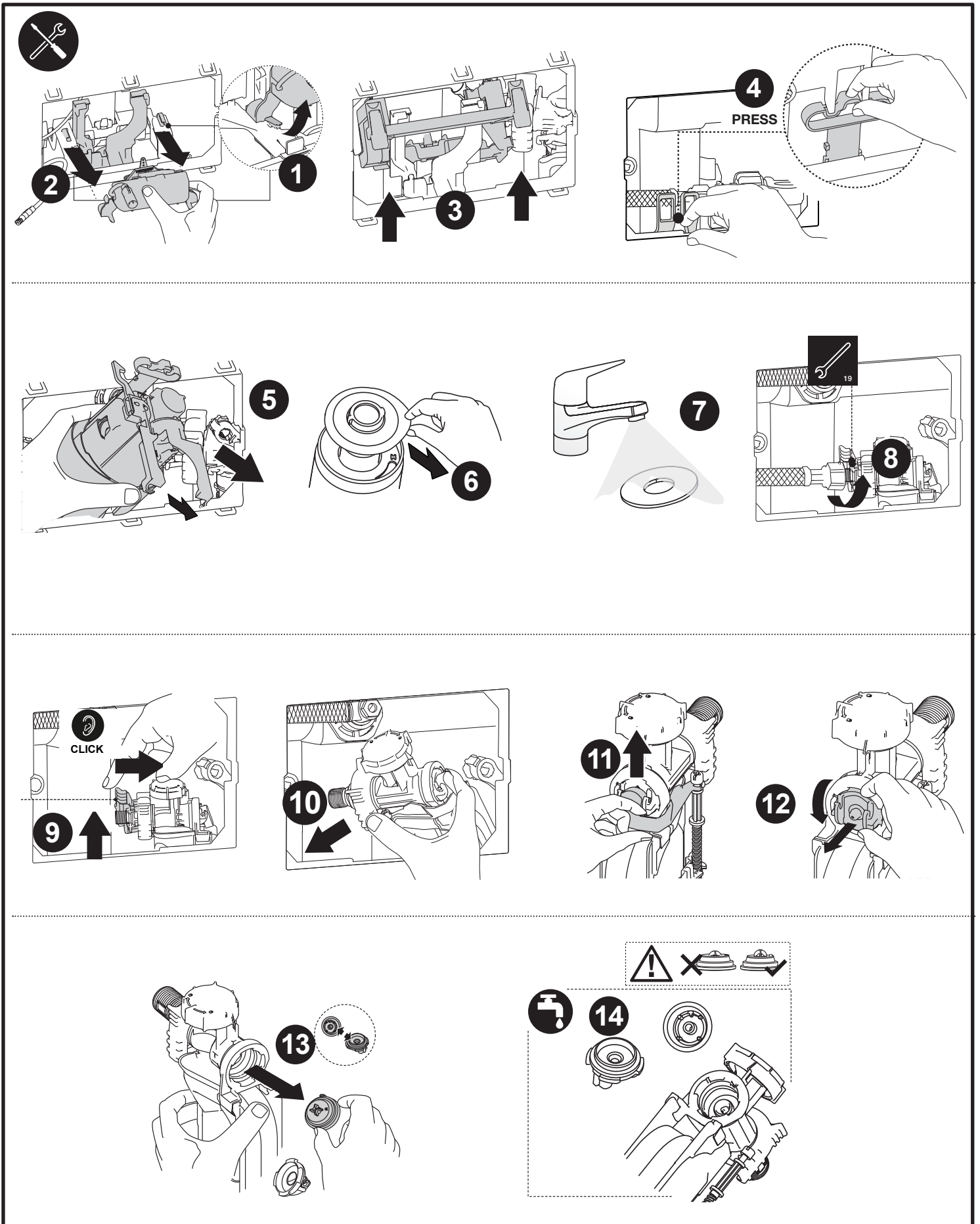
25741



11

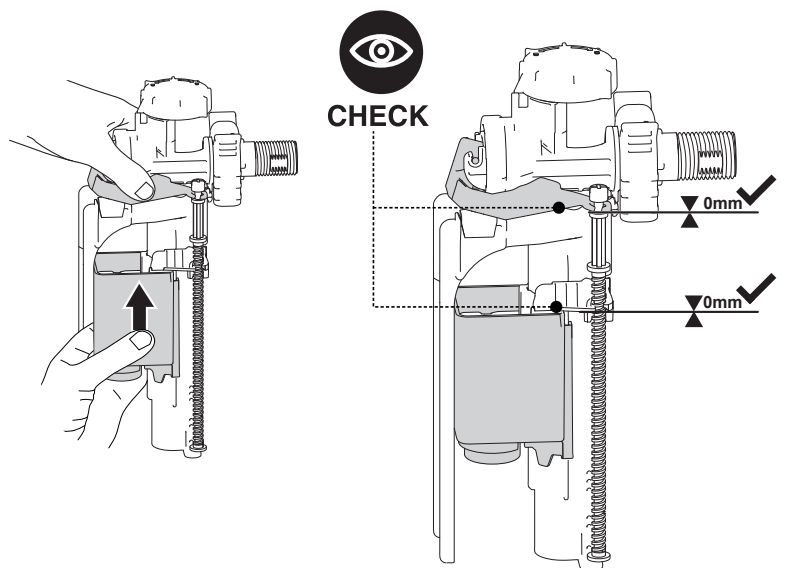
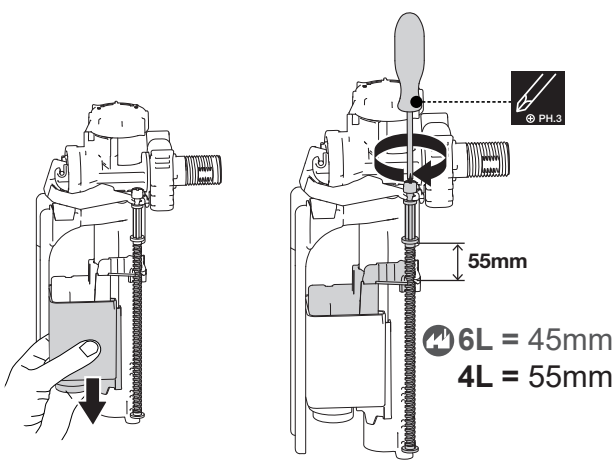
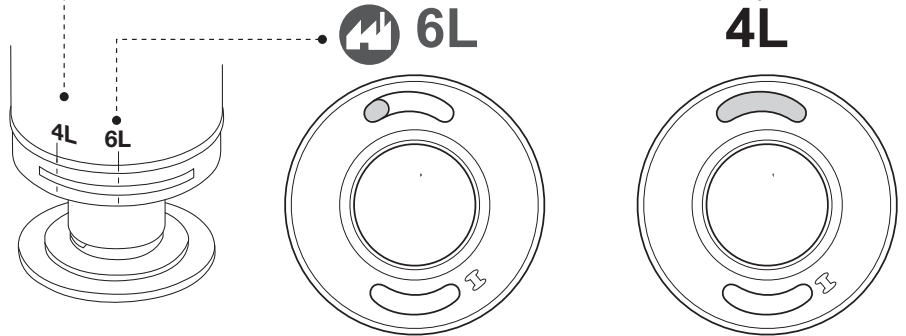
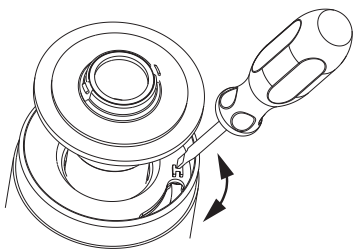
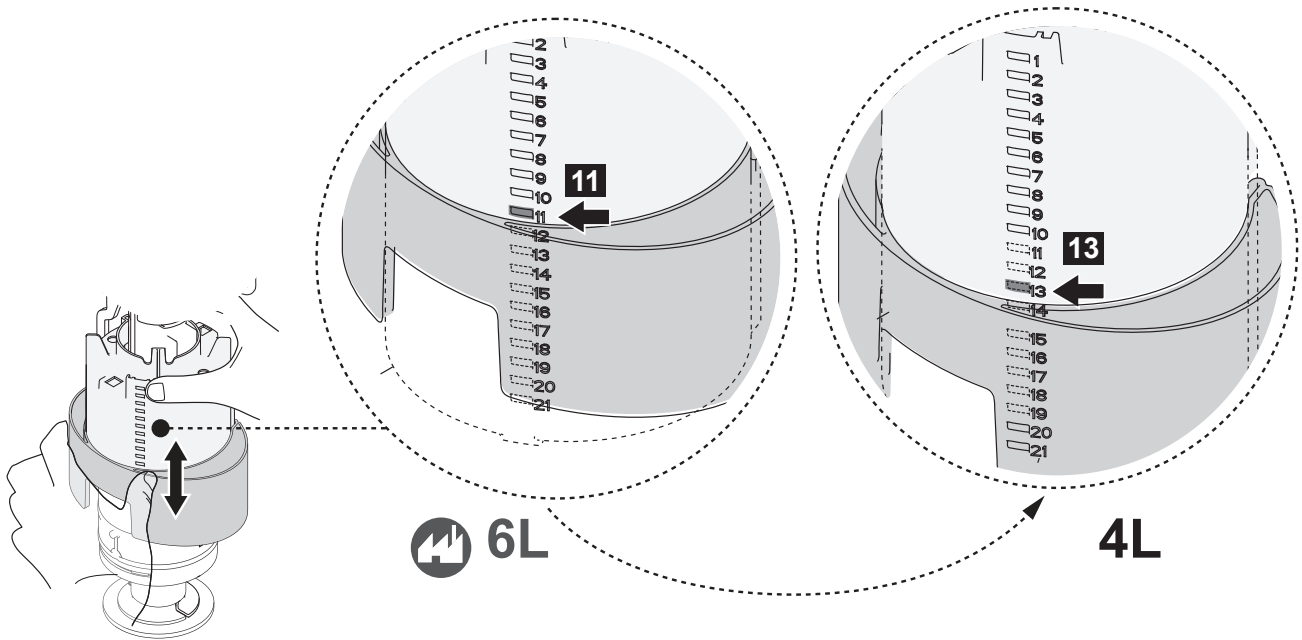








 **6L** → **4L**





**Dolphin Solutions Ltd**

Southpoint, Compass Park, Bodiam,  
Robertsbridge, TN32 5BS

Tel: +44 (0)1424 20 22 24

Fax: +44 (0)1424 205 200

[info@dolphinsolutions.co.uk](mailto:info@dolphinsolutions.co.uk)

[www.dolphinsolutions.co.uk](http://www.dolphinsolutions.co.uk)