



INSTALLATION AND MAINTENANCE GUIDE

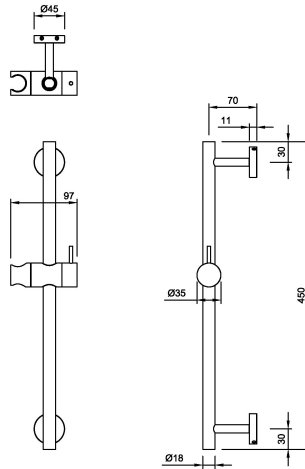
DB3090.450.X.XX

Dolphin Blue Shower Slider Rail and Holder



DIMENSIONS

Fig. 1



INTRODUCTION

Please read these fitting instructions carefully before beginning your installation. The shower installation must be carried out by a suitably competent person and in sequence of this instruction book.

Care taken during the installation will give a long and trouble free life from your Shower Slider Rail and Holder.

PRODUCT CODE EXPLAINED

DB3090.450.X.XX: "XXX" denotes the length of Rail e.g. DB3090.450.X.XX = 450mm

DB3090.450.X.XX: "X" denotes the finish, see below for coding e.g. DB3090.450.I.XX = Brushed Satin . I
Brushed Satin

.2 Polished Satin

DB3090.450.X.XX: "XX" denotes the finish applied to the surface. Suffix dependent on process finish and colour.

INSTALLERS PLEASE NOTE THESE INSTRUCTIONS ARE TO BE LEFT WITH THE USER

To check the product suitability for commercial and multiple installations, please contact Dolphin Solutions' specification advisory service before installation.

SITE REQUIREMENTS

The installation must be in accordance with water supply (water fittings) regulation 1999 and/or local Bylaws.

ASSEMBLY

> Fit the shower head holder (1) onto the slider rail (2) as follows: Twist lever counter-clockwise to release the locking mechanism, then slide the holder onto the slider rail. Twist lever clockwise to secure holder in place

> Screw (8) passes through the rosette (9) and secures into the top arm (10)

> Place locking insert (6) inside slider rail ensuring hole of locking insert and slider rail are aligned.

> Fit end of top arm (10) through slider rail hole and into locking insert. Fit locating pin (5) into the locking insert, fixing the top arm in position. Cap tube with plug (3) fitted with O-ring (4).

INSTALLATION

> Using the assembled slider rail as a guide, decide on the position for the rail within the shower area.

> Offer one of the brackets (7) to the wall. Place the bracket in the lower position and mark the fixing hole positions. Remove the bracket then drill and plug the wall using suitable wall plugs.

> Tighten the bracket onto the wall using the screws provided, but do not tighten fully.

> Offer the upper bracket to the wall and measure vertically from the centre of the bottom mount and mark. Tape the upper bracket in position and offer slider rail to the mounts ensuring that the centre distances match. Remove the the tape and bracket then drill and plug the wall.

> Tighten the both brackets onto the wall using the screws provided, but do not over tighten.

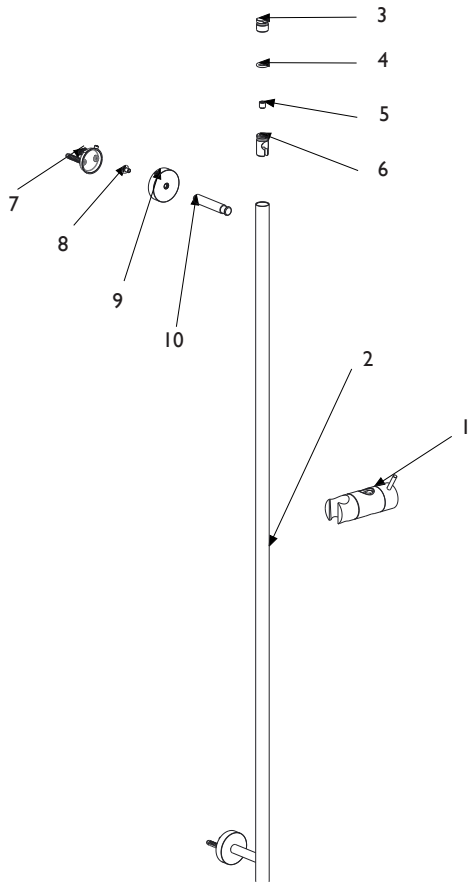
> Fit slider rail over the wall mounts and secure rosettes to the mounts by tightening the grub screws located in the rosettes.

FITTING THE SHOWER HEAD

> Feed the shower head and flexible hose through the opening in the shower head holder (1).

N.B. The shower head holder slot is slightly tapered and the shower head will only fit from one direction.

ASSEMBLY DIAGRAM



Dolphin Solutions Limited warrants that its products will be free of defects in material and workmanship during normal use for two years from the date the product is purchased.

If a defect is found in normal use, Dolphin Solutions will, at its discretion, repair, provide a replacement part or product, or make appropriate adjustments. Damage caused by accident, misuse, or abuse is not covered by this warranty. Improper care and cleaning will void the warranty. Proof of purchase (original sales receipt) must be provided to Dolphin Solutions with all warranty claims. Dolphin Solutions is not responsible for labor charges, installation, or other incidental or consequential costs other than those noted above. In no event shall the liability of Dolphin Solutions exceed the purchase price of the product.

If you believe that you have a warranty claim, contact Dolphin Solutions, Dealer or Plumbing Contractor.

Please be sure to provide all pertinent information regarding your claim, including a complete description of the problem, the product, model number, the date the product was purchased, from whom the product was purchased and the installation date. Also include your original invoice.

DOLPHIN SOLUTIONS AND/OR SELLER DISCLAIM ANY LIABILITY FOR SPECIAL, INCIDENTAL OR CONSEQUENTIAL DAMAGES.

This warranty excludes product damage due to installation error, incorrect maintenance, wear and tear, water composition, product abuse, or product misuse, whether performed by a contractor, service company, or the consumer. This warranty does not cover product damage caused by the following:

- Incorrect installation, inversions of supply pipes.
- Pressures or temperatures exceeding recommended limits.
- Improper manipulation, tampering, bad or lapsed maintenance.
- Foreign bodies, dirt or scale introduced by the water supply.

Dolphin Solutions

Southpoint, Compass Park, Bodiam, Robertsbridge TN32 5BS

Tel: 01424 202224

Fax: 01424 205200

www.dolphinsolutions.co.uk

info@dolphinsolutions.co.uk