

25608

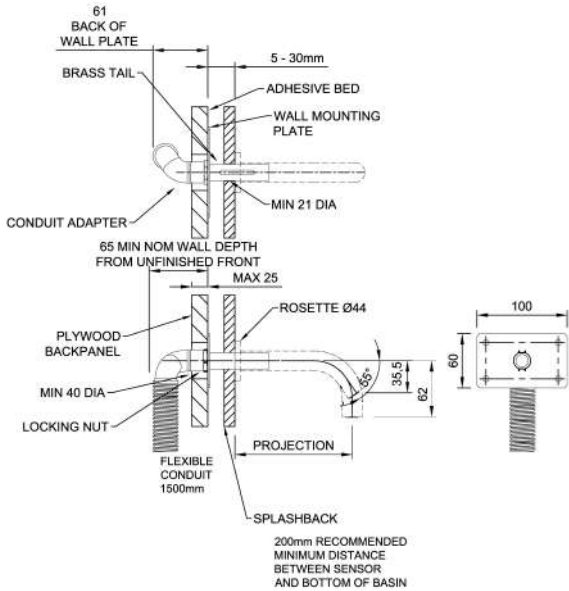
DOLPHIN WALL PLATE MOUNTING KIT FOR INFORM (SMART) TAP

INSTALLATION GUIDE

COMPATIBLE TAP PRODUCT CODES

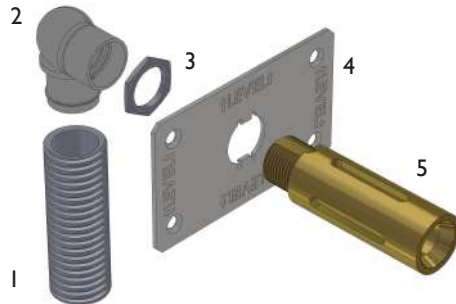
DS112.XXX

DS114.XXX



PACK CONTENTS

- 1 25276 Conduit
- 2 25600 Conduit Adapter
- 3 25591 Nut
- 4 25525 Back Plate
- 5 25522 Tail
- 4x Screws (May differ to that required for wall construction).

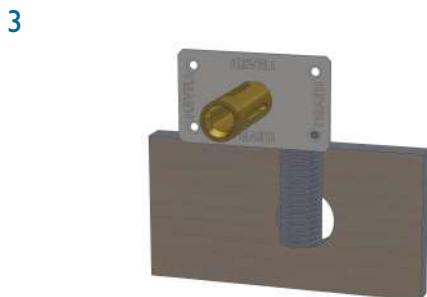


INSTALLATION

1 IMPORTANT: Fit Wall Mounting Kit before finishing the Wall. Wall Mounting Kit supplied assembled. DO NOT disassemble.



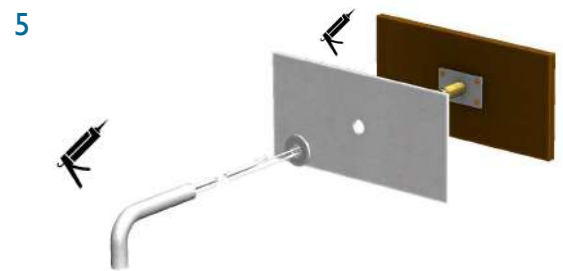
Prepare Ø40mm hole in Back Panel



Pass conduit and conduit adapter through the Ø40mm hole



4 Fix the Wall Mounting Kit assembly with 4 screws supplied. IMPORTANT: Slot to be on underside of tail. Ensure wall plate is level as this dictates tap angle and rotation. Protect Brass Tail with low tack tape / other suitable method



5 Fit Splashback with adhesive (or other fixing method as required) leaving mounting assembly protruding (thru Ø21mm hole) ready for Inform Tap Installation (See separate installation guide).