

25607

DOLPHIN WALL PLATE MOUNTING KIT FOR INFORM (SMART) TAP

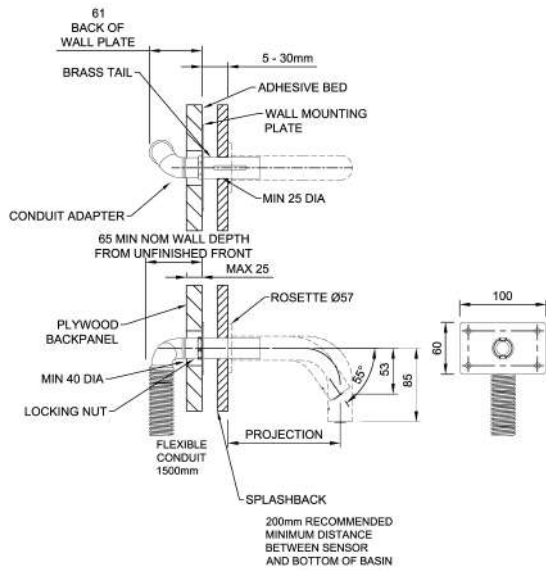
INSTALLATION GUIDE

COMPATIBLE TAP PRODUCT CODES

DSI02.XXX

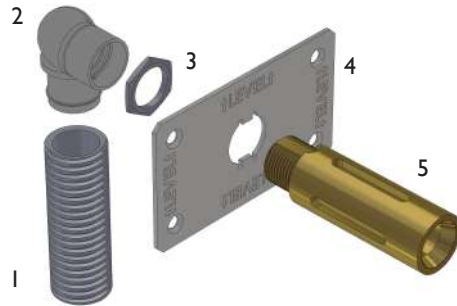
DSI04.XXX

DSI22.XXX



PACK CONTENTS

- 1 25276 Conduit
- 2 25602 Conduit Adapter
- 3 25663 Nut
- 4 25274 Back Plate
- 5 25664 Tail
- 4x Screws (May differ to that required for wall construction).

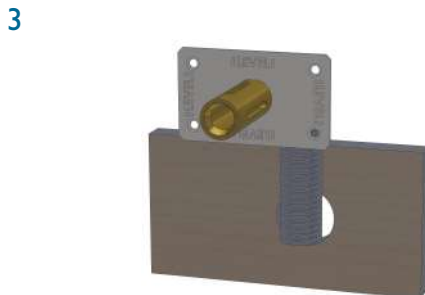


INSTALLATION

- 1 **IMPORTANT:** Fit Wall Mounting Kit before finishing the Wall. Wall Mounting Kit supplied assembled. **DO NOT** disassemble.



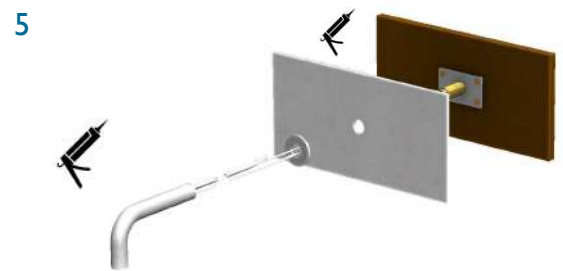
Prepare Ø40mm hole in Back Panel



Pass conduit and conduit adapter through the Ø40mm hole



Fix the Wall Mounting Kit assembly with 4 screws supplied. **IMPORTANT:** Slot to be on underside of tail. Ensure wall plate is level as this dictates tap angle and rotation. Protect Brass Tail with low tack tape / other suitable method



Fit Splashback with adhesive (or other fixing method as required) leaving mounting assembly protruding (thru Ø25mm hole) ready for Inform Tap Installation (See separate installation guide).