

25592

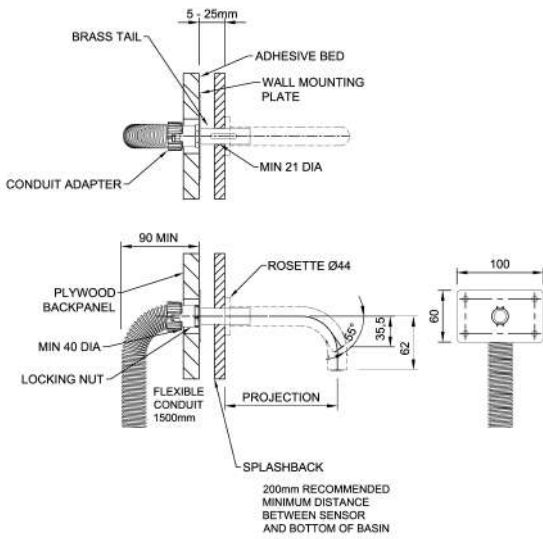
DOLPHIN WALL PLATE MOUNTING KIT FOR INFORM (SMART) TAP

INSTALLATION GUIDE

COMPATIBLE TAP PRODUCT CODES

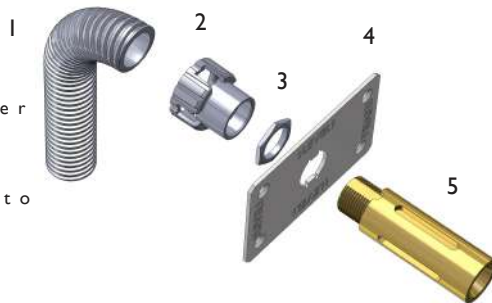
DS112.100

DS114.125



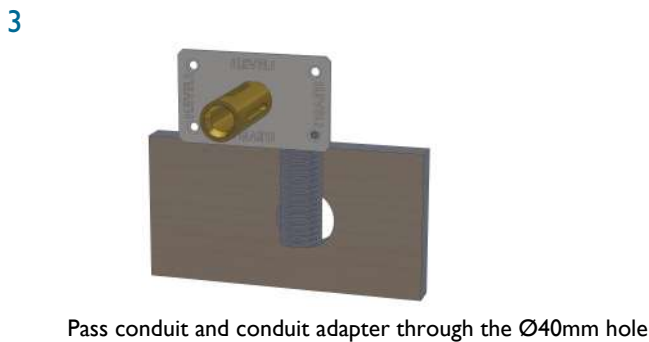
PACK CONTENTS

- 1 25276 Conduit
- 2 25572 Conduit Adapter
- 3 25591 Nut
- 4 25525 Back Plate
- 5 25588 Tail
- 4x Screws (May differ to that required for wall construction).

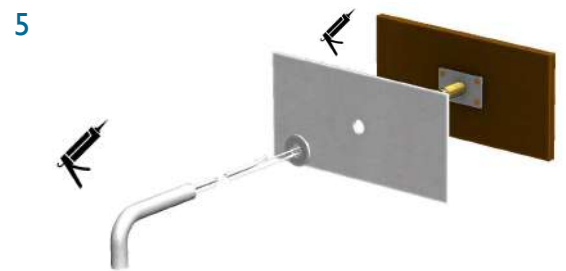


INSTALLATION

1 **IMPORTANT:** Fit Wall Mounting Kit before finishing the Wall. Wall Mounting Kit supplied assembled. **DO NOT** disassemble.



Fix the Wall Mounting Kit assembly with 4 screws supplied. **IMPORTANT:** Slot to be on underside of tail. Ensure wall plate is level as this dictates tap angle and rotation. Protect Brass Tail with low tack tape / other suitable method



Fit Splashback with adhesive (or other fixing method as required) leaving mounting assembly protruding (thru Ø21mm hole) ready for Inform Tap Installation (See separate installation guide).