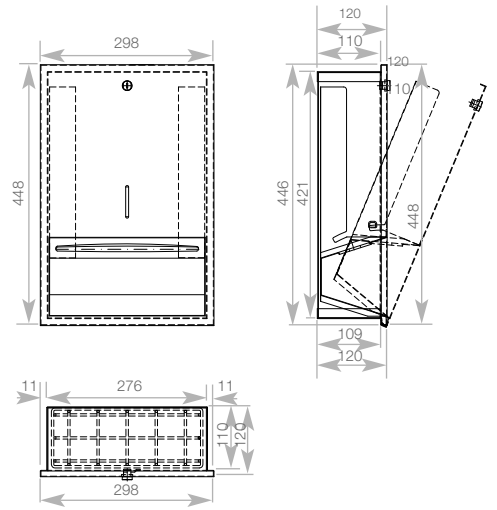


DECLARATION OF PERFORMANCE



DP3301

DOLPHIN PAPER TOWEL DISPENSER

- > Superior quality and timeless design for prestigious washrooms
- > Easy-care 18/10 chrome nickel stainless steel
- > Satin finish, welded corners - no sharp edges
- > Lockable
- > Can hold up to 300 C-fold towels
- > Stylish paper towel viewing indicator
- > Also available in polished stainless steel or plastic powder coated to a colour of your choice

HEIGHT	448 MM
WIDTH	298 MM
PROJECTION	10 MM

This is to confirm that the DP3301 is suitable for purpose as a Paper Towel Dispenser and conforms with regulations

Chris Beattie
Dolphin Solutions Ltd