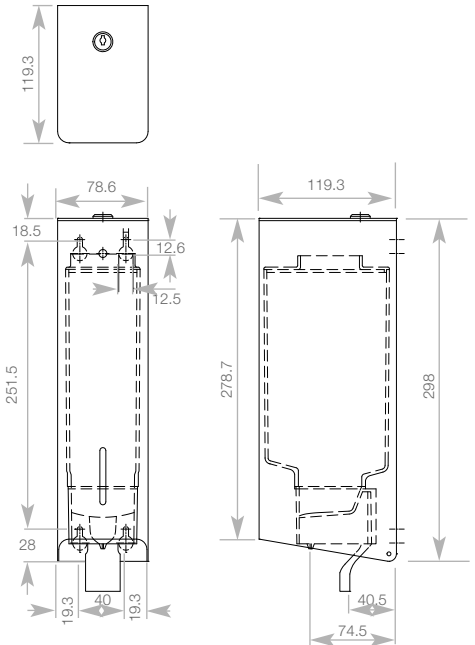


DECLARATION OF PERFORMANCE



DPI 102

DOLPHIN SOAP DISPENSER

- > Superior quality and timeless design for prestigious washrooms
- > Manufactured from high spec 'marine' grade 316 stainless steel – making them suitable to tough corrosive environments such as swimming pools and seaside locations etc
- > Satin finish, welded corners - no sharp edges
- > Refillable soap tank
- > Lockable
- > 1100ml tank gives - 1,300 shots of soap
- > 1.5ml per pump

HEIGHT	298 MM
WIDTH	80 MM
PROJECTION	120 MM

This is to confirm that the DPI 102 is suitable for purpose as a Soap Dispenser and conforms with regulations

Chris Beattie
Dolphin Solutions Ltd