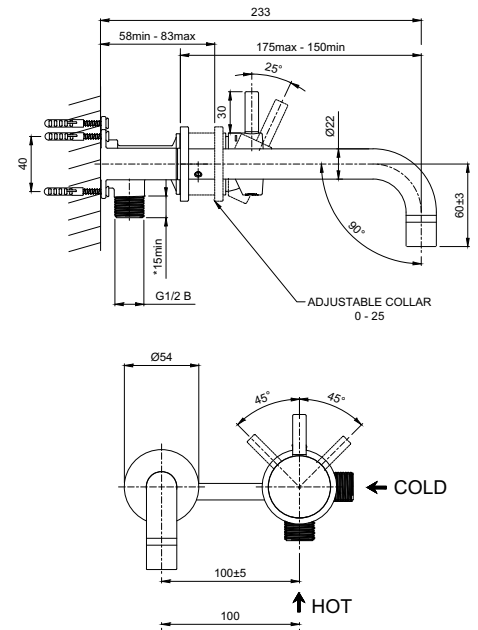


DECLARATION OF PERFORMANCE



DBI675

DOLPHIN PANEL MOUNTED MIXER TAP

- > Manufactured from cast 304 grade stainless steel for smooth inner and external surfaces
- > Requires a separate hot and cold supply; a balanced pressure is ideal for optimum performance
- > Flow rate - nominal 3.5 litres/minute with the standard fitted flow regulator (contained within the Neoperl JR aerator) at any pressure between 0 and 5 bar
- > Neoperl JR aerators with other flow rates are available to special order and can be changed easily before, during or after installation - please enquire
- > Maximum working pressure (if applicable) 5 bar
- > Maximum operating temperature (if applicable) 60°C
- > WTL listed
- > WRAS approved product

This is to confirm that the DBI675 is suitable for purpose as a panel mounted mixer tap and conforms with regulations



Chris Beattie
Dolphin Solutions Ltd