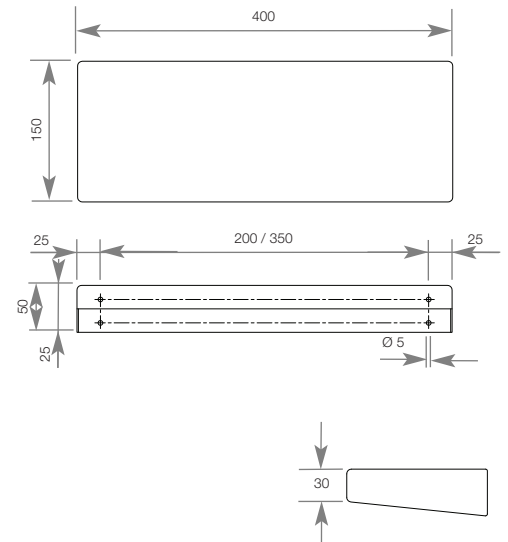


## DECLARATION OF PERFORMANCE



BC750

### DOLPHIN STAINLESS STEEL SHELF

- > Prestige quality
- > Almost vandal proof
- > Ideal for public or prestigious washrooms
- > Suitable for disabled washrooms

HEIGHT	45 MM
WIDTH	400 MM
PROJECTION	150 MM

**PRODUCT CODES**

- > For 250mm long version see

BC751

This is to confirm that the BC750 is suitable for purpose as a Stainless Steel Shelf and conforms with regulations

Chris Beattie  
Dolphin Solutions Ltd