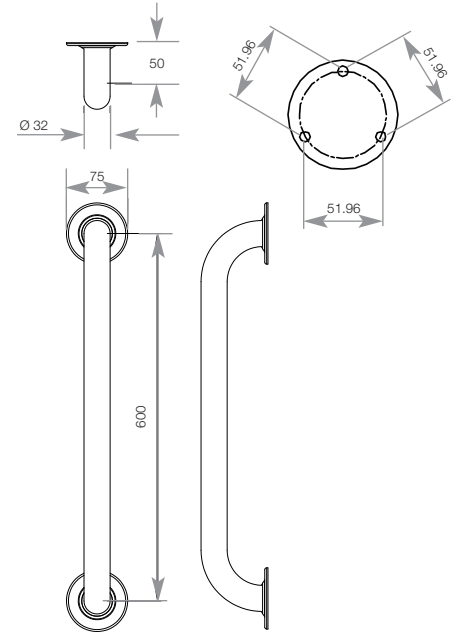


## DECLARATION OF PERFORMANCE



BC5083-02

### DOLPHIN STAINLESS STEEL GRAB RAIL

- > High quality satin stainless steel
- > 32mm diameter
- > Concealed fixings
- > Tested for a load bearing capacity in excess of 200kg in accordance with BS EN 12182:2012 section 16.2 and it suitable for performance as a grab rail

**HEIGHT** 600 MM  
**DIAMETER** 32 MM

**PRODUCT CODES**

- > Dolphin 450mm grab rail BC5083-01
- > Dolphin 600mm grab rail BC5083-02
- > Dolphin 900mm grab rail BC5083-04

This is to confirm that the BC5083-02 is suitable for purpose as a grab rail and conforms with regulations



Chris Beattie  
Dolphin Solutions Ltd