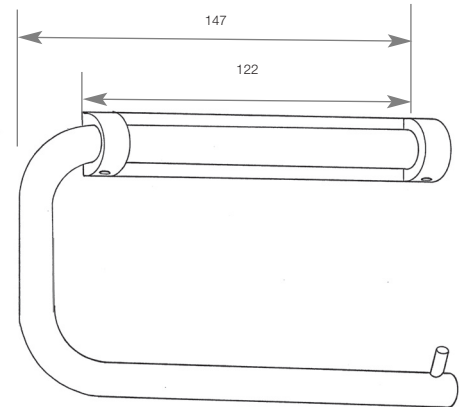


DECLARATION OF PERFORMANCE



BC271-I

DOLPHIN STAINLESS STEEL TOILET ROLL HOLDER

- > High quality satin stainless steel
- > Ideal for prestigious office, hotel and residential projects
- > Solid stainless steel bracket for firm, anti-vandal fixing to the toilet wall or cubicle
- > 10mm Ø bar
- > Designed to hold one standard toilet roll

HEIGHT	93 MM
WIDTH	147 MM
PROJECTION	23 MM

PRODUCT CODES

- > Same product polished stainless steel **BC271-1B**
- > Double toilet roll holder **BC271-2**

This is to confirm that the BC271-I is suitable for purpose as a toilet roll holder and conforms with regulations

Chris Beattie
Dolphin Solutions Ltd