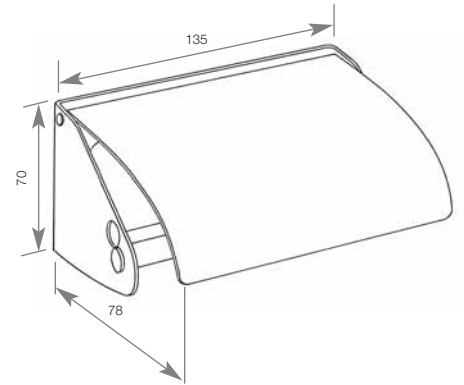


DECLARATION OF PERFORMANCE



BC266

DOLPHIN STAINLESS STEEL TOILET ROLL HOLDER

- > Quality stainless steel construction
- > Non lockable stainless steel spindle
- > Weighted flap to reduce paper wastage
- > Capacity one standard toilet roll

HEIGHT	70 MM
WIDTH	135 MM
PROJECTION	98 MM

PRODUCT CODES

- > Same product with polished finish

BC266B

This is to confirm that the BC266 is suitable for purpose as a toilet tissue dispenser and conforms with regulations

Chris Beattie
Dolphin Solutions Ltd

TECHNICAL HELPLINE 01424 202224
DOLPHINSOLUTIONS.CO.UK