



# Mounting Instructions

## Important Information

This Product falls within the scope of the Waste Electrical & Electronic Equipment Directive 2002/96 EC. (WEEE)



### NOTE:

This Product should not be disposed of with household waste. Please recycle where facilities exist. Check with your local authority for recycling advice.



**BC2200 SERIES**

**250mm**



This product intended for installation by a qualified service person using 1.2 mm<sup>2</sup> solid conductor for wiring.

'Unit should be mounted to give no less than 300mm clearance from the bottom of the unit to the nearest surface below'

**1.**

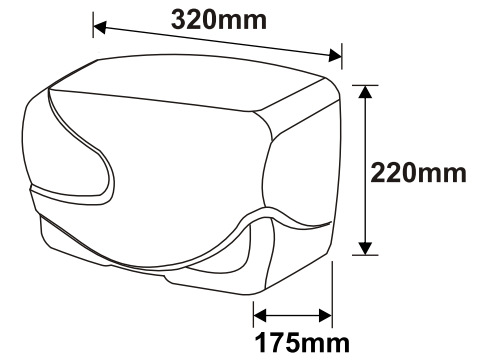
1. Fix the mounting instruction sheet on the wall. Suitable height for hole "C" is 1300mm from ground.

**2.**

2. Drill 4 holes [A. B. C. D. 8 mm diameter; 35 mm depth.]

**3.**

3. Take off the mounting instruction sheet. Hammer dowels into 4 holes.



**6.**

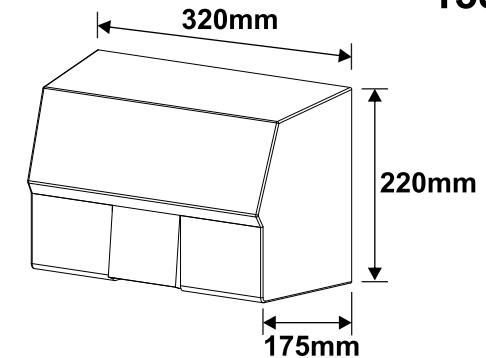
6. Attach housing back to base plate at an angle of 10 degrees then secure properly.

**5.**

5. Connections:  
A. Connect the live wire (colored black, brown or dark) to the terminal block marked "L".  
B. Connect the neutral wire (colored white, blue or light) to the terminal block marked "N".  
C. Connect the ground wire (colored green or green and yellow) to the terminal block marked "⊕".

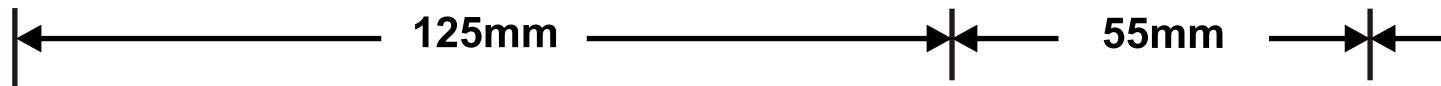
**4.**

4. Remove the housing from the base plate; put the power cord at least 26.35mm through the hole of the base plate then secure the base plate onto the wall.



**158mm**

**THIS UNIT MUST BE FITTED AND SERVICED BY SUITABLY QUALIFIED PERSONNEL**



130 cm FROM THE GROUND IS SUITABLE



Φ22mm FOR SUPPLY CABLE PREFERRED LOCATION

