

DOLPHIN HARDWIRE TRANSFORMER

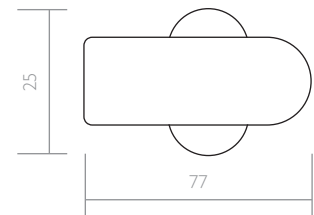
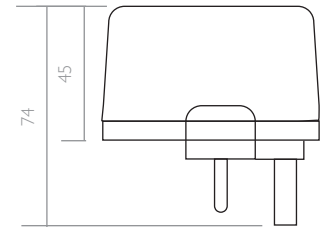
AC side

- › Input voltage range AC 100 – 240 V
- › Rated frequency 50 – 60 Hz
- › Rated current 22 mA
- › Cable length Approx. 100 cm

DC side

- › Output voltage DC 6,6 V -5% +10%
- › Rated output current 200 mA
- › Cable length Approx. 150 cm
- › Material of housing PC V0 (DYFENCER_PC_V0)
- › Colour of housing black
- › Storage temperature -25°C up to +85°C
- › Protection class 2
- › IP rating of the housing IPx0
- › Directives 2014/35/EU, 2014/30/EU, 2009/125/EG, 1907/2006/EG (REACH), 278/2009/EG, 2011/65/EU (RoHs 2)
- › Standards DIN EN 61000-6-2, DIN EN 61000-6-3, DIN EN 60335-1, DIN EN 60529, DIN EN 61558-1, DIN EN 61558-2-16

HEIGHT	20 MM
WIDTH	48 MM
PROJECTION	48 MM



DOLPHIN 3 PIN TRANSFORMER

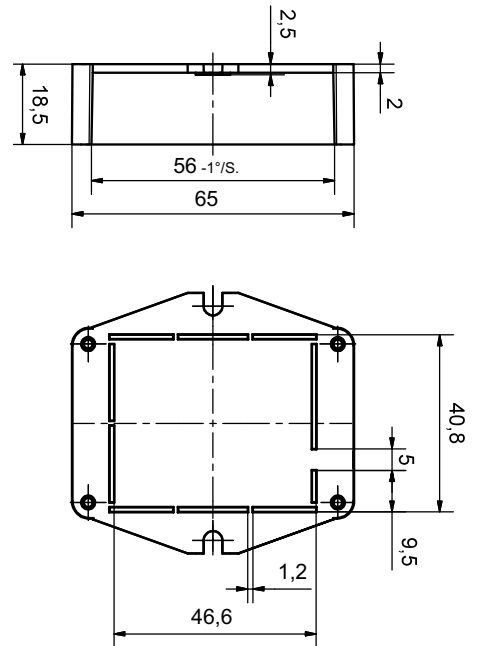
AC side

- > Input voltage range AC 100 – 240V
- > Rated frequency 50 – 60 Hz
- > Rated current 22 mA
- > Cable length Approx. 100 cm

DC side

- > Output voltage DC 6,6V -5% +10%
- > Rated output current 200 mA
- > Cable length Approx. 150 cm
- > Material of housing PCV0 (DYFENCER_PC_V0)
- > Colour of housing black
- > Storage temperature -25°C up to +85°C
- > Protection class 2
- > IP rating of the housing IPx0
- > Directives 2014/35/EU, 2014/30/EU, 2009/125/EG, 1907/2006/EG (REACH), 278/2009/EG, 2011/65/EU (RoHs 2)
- > Standards DIN EN 61000-6-2, DIN EN 61000-6-3, DIN EN 60335-1, DIN EN 60529, DIN EN 61558-1, DIN EN 61558-2-16

HEIGHT	74 MM
WIDTH	77 MM
PROJECTION	25 MM



BATTERY BOX TRANSFORMER

- > Output: 6V DC
- > Battery type: CR-P2
- > IP rate: IP 64

HEIGHT	65 MM
WIDTH	60 MM
PROJECTION	18.5 MM