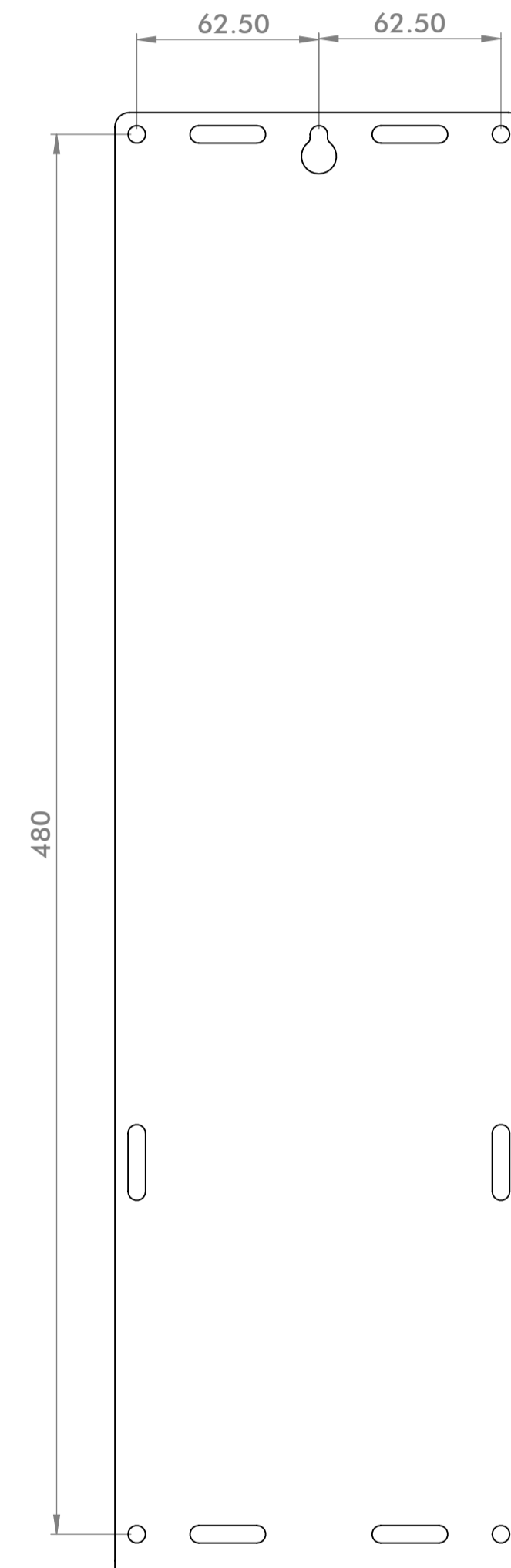


DS810

DOLPHIN SOLUTIONS LIMITED DOLPHIN FOAM CARTRIDGE BEHIND MIRROR DISPENSER

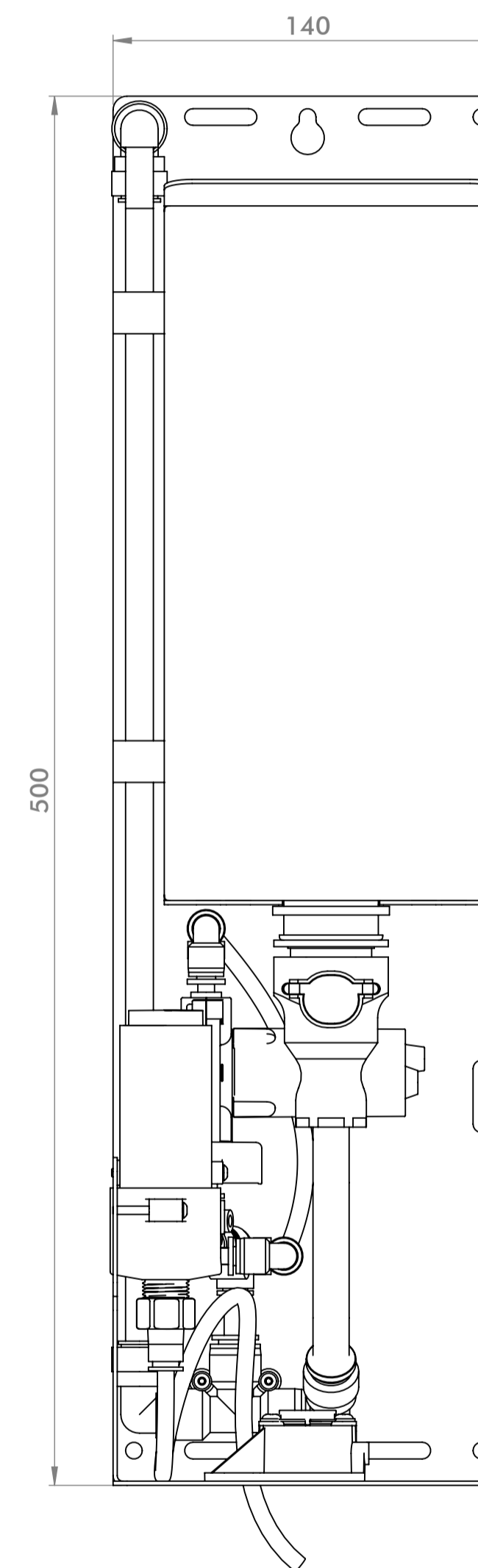
FIXING HOLES

USE KEYHOLE TO INITIALLY MOUNT WITH ONE FIXING
DO NOT PRINT - NOT FOR USE AS TEMPLATE
ALL HOLES Ø6 MM

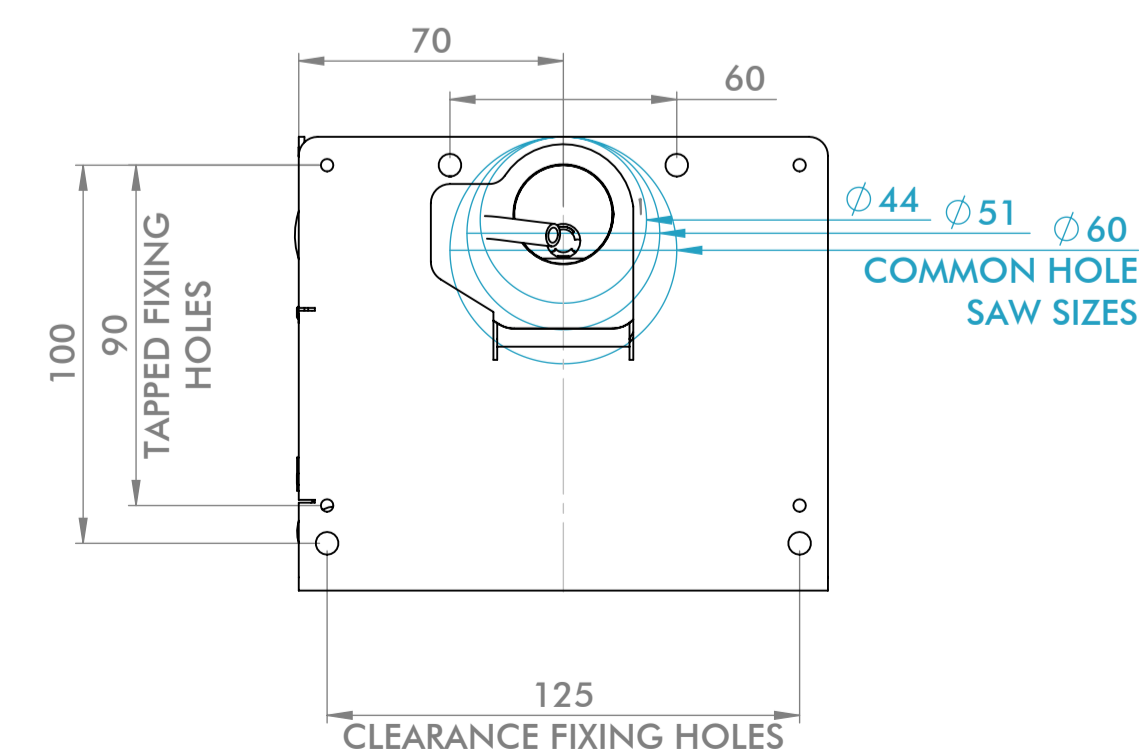
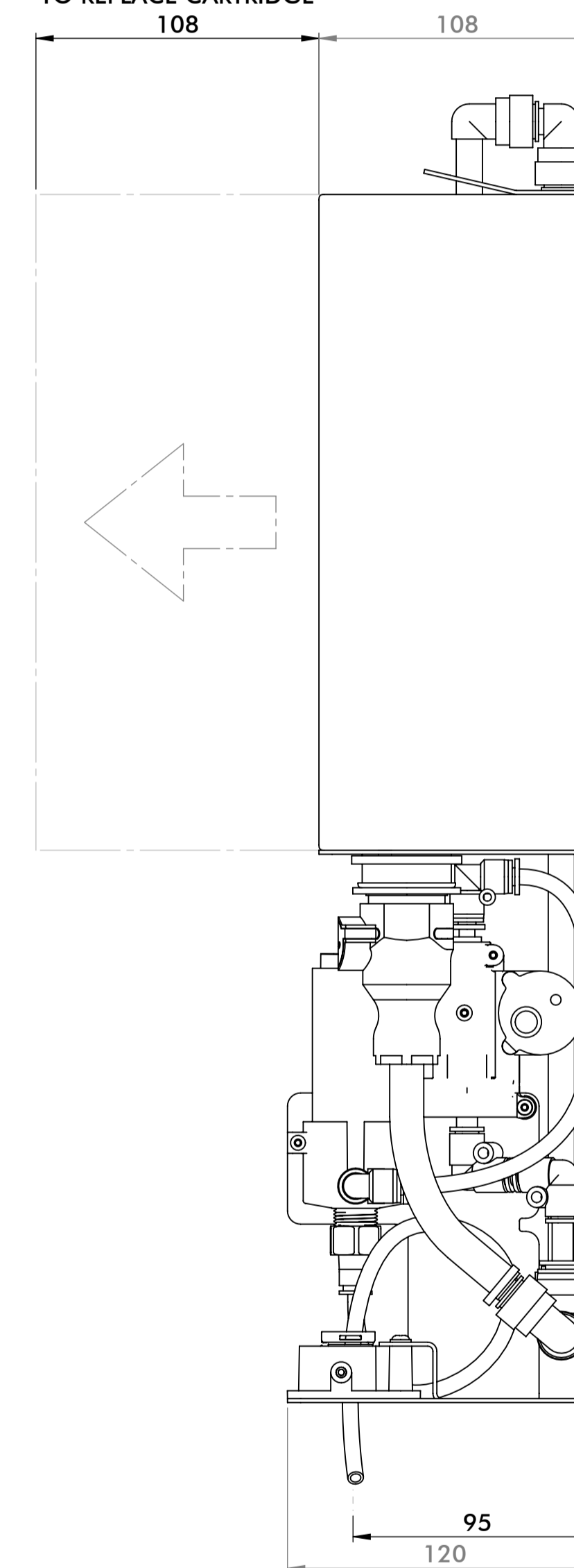


BEHIND MIRROR DISPENSER

WELL COMPLIANT - V2 2018 IWB1 - SECTION W08 HANDWASHING PART 2A

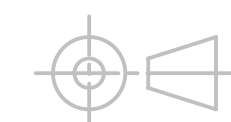


REQUIRED CLEARANCE
TO REPLACE CARTRIDGE



Tel: +44 (0) 1424 202 224
info@dolphinsolutions.co.uk
www.dolphinsolutions.co.uk

DO NOT
SCALE
DRAWING
DIMENSIONS
ARE IN
MILLIMETRES



IF IN DOUBT ASK
© DOLPHIN SOLUTIONS LTD
THIS DRAWING MAY NOT BE COPIED
OR DISCLOSED WITHOUT PERMISSION