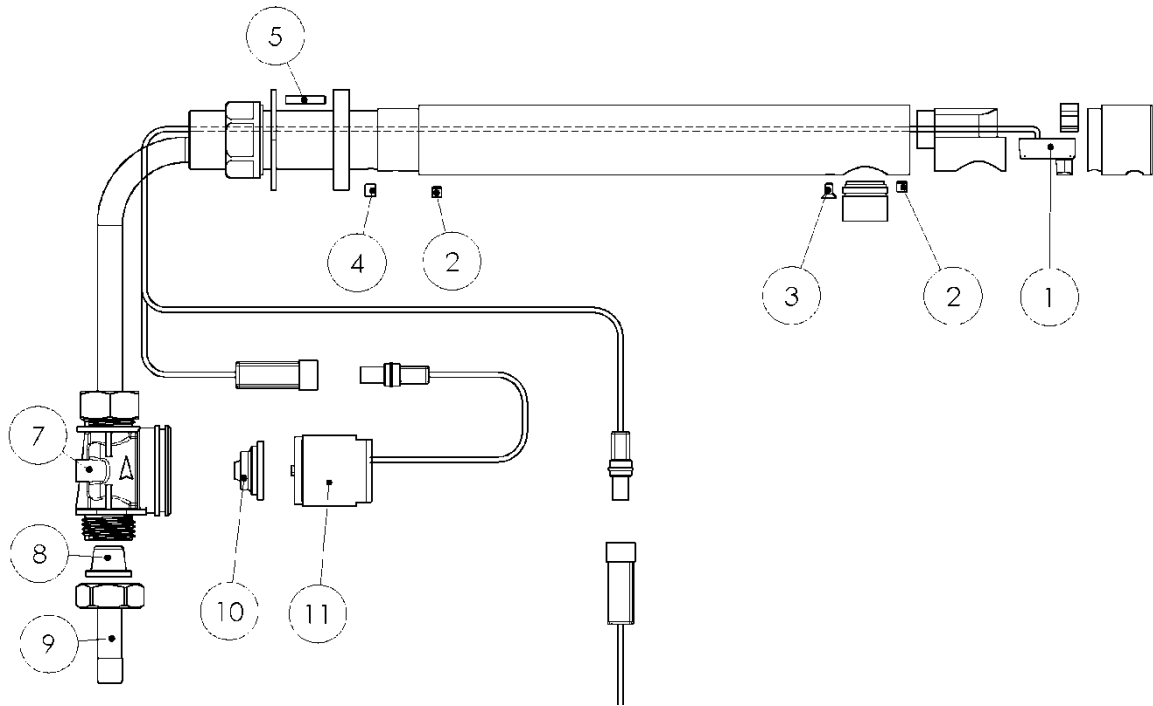
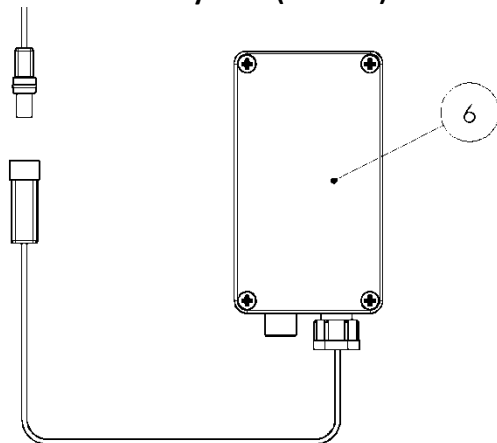


DB1400/DB1425 Tap Range - Parts Diagram

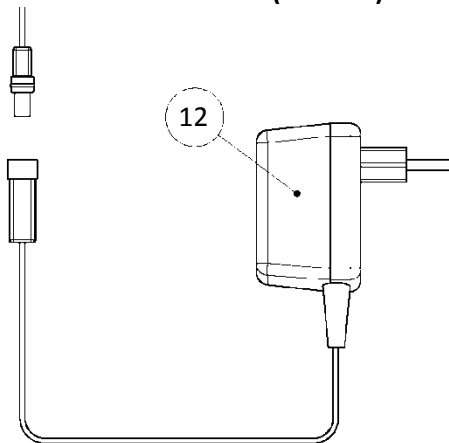


Power Source Options

Battery Pack (DB1400)



Transformer (DB1425)



Item	Description	Part No.	Item	Description	Part No.
-	Screws Kit	DB07210101	-	Solenoid Valve Kit	DB07230017
2	Screw		11	Solenoid valve	
3	Screw		10	Diaphragm	
4	Screw				
5	Screw		10	Diaphragm	DB04500001
1	Nano Sensor	DB08004001	6	Battery box (IP 67version)	DB83M
			6	Battery box	DB82M
-	Solenoid BS-Housing Kit	DB07231008			
7	Solenoid valve's body		12	9V Transformer (100mA)	DB70M
8	Filter		12	9V Transformer (300mA)	DB85M
9	Nipple				