

11.1857 / 11.1859

DOLPHIN TOILET ROLL HOLDER

SPECIFICATION

Wall/Partition mounted double toilet roll holder. Model number 11.1857 mirror polished/11.1859 in brushed satin* finish stainless steel with black Delrin bushes. Manufactured by Dolphin Solutions Ltd. *Delete one reference

MATERIAL

- > Housing: 11.1857 1.5mm mirror polished finish stainless steel grade 1.4301 (304)/11.1859 1.5mm satin finish stainless steel grade 1.4301 (304) with black Delrin bushes
- > Arm: 11.1857 Ø14mm mirror polished finish stainless steel grade 1.4301 (304)/11.1859 Ø14mm satin finish stainless steel grade 1.4301 (304)
- > Wall Bracket: 1.5mm dull buff stainless steel grade 1.4301 (304)
- > Approximate unit weight: 0.8kg

WIDTH	290 MM
HEIGHT	100 MM
PROJECTION	27 MM

PRODUCT CODES

- > Mirror polished finish **11.1857**
- > Brushed satin finish (shown) **11.1859**

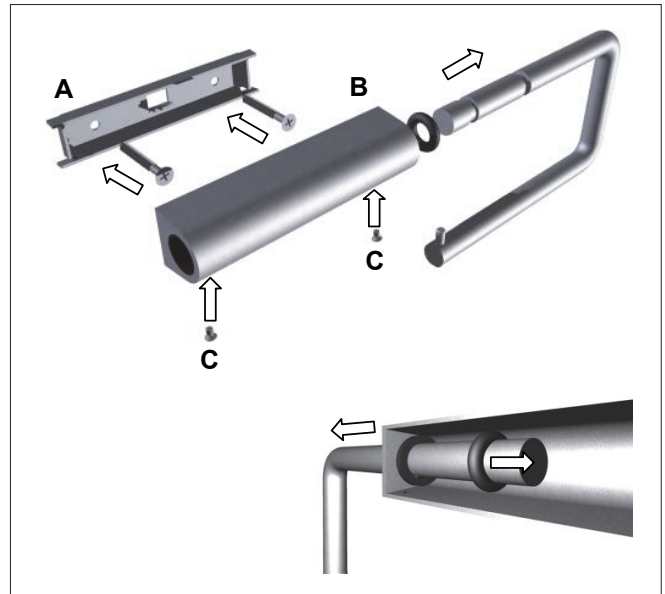
CAPACITY

2 x toilet roll of maximum width 110mm

INSTALLATION

See diagram opposite

- › Recommended mounting height from centre of housing to FFL 900mm
- › If required: to install in opposite handing remove 'o' ring by passing arm out of housing until centre groove of arm is inline with hole.
- › Tilt arm to gain access to 'o' ring and remove it from arm
- › Slide arm out of housing (B) and pass through opposite housing hole
- › Re-fit 'o' ring
- › Mark location of fixing holes on wall
- › Fix wall bracket (A) to wall using suitable countersunk screws (Please check the screws supplied are suitable for the installation)
- › Fix housing & arm to wall bracket using supplied M3 countersunk screws (C).



CARE AND MAINTENANCE

- › Clean with soap and warm water; dry with a clean soft cloth.
- › To maintain finish use any industrial steel cleaner; polishing along the material grain with a clean soft cloth.
- › Dolphin Solutions Ltd recommends "Steel Clean" cleaning agent, obtainable from: Vitopan (Tel: 01204 863000)
- › Abrasive cleaners, chloride cleaning agents and carbon steel brushes/steel wool will scratch the stainless steel and should not be used.

WARRANTY

This product is covered by a 12-month warranty from the date of purchase to be free from defects if installed and maintained in accordance with these instructions. Dolphin Solutions will replace or repair (as appropriate) free of charge any product with a proven manufacturing defect if reported within the warranty period.

Dolphin Solutions Ltd reserves the right to amend the design or dimensions without formal notice.