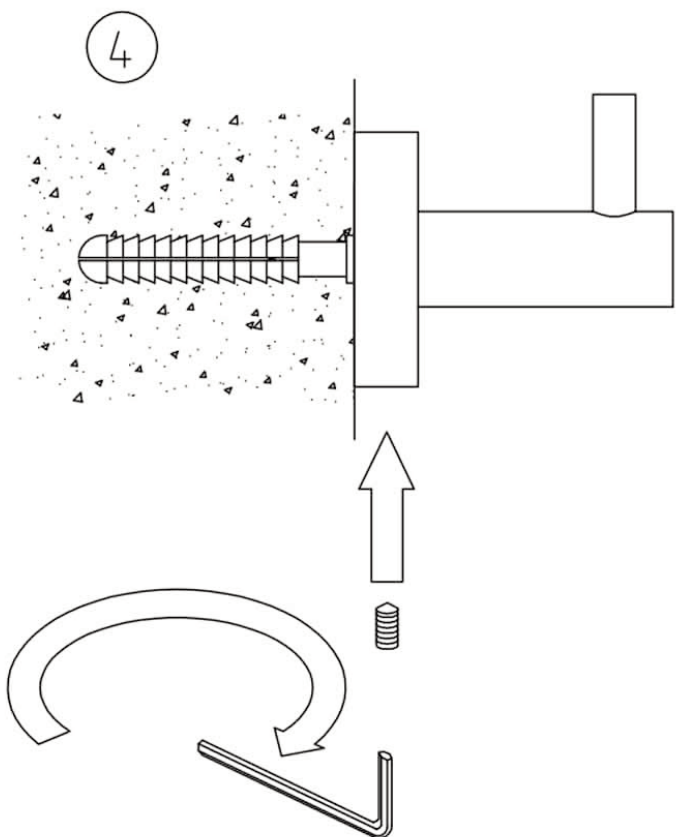
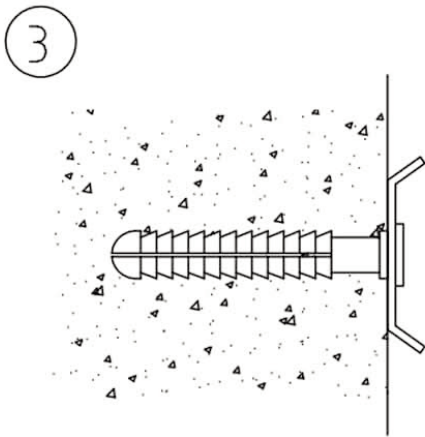
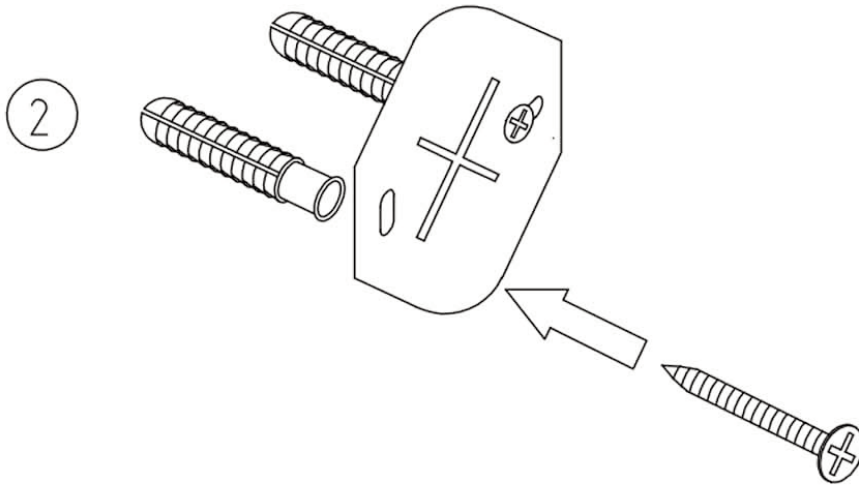
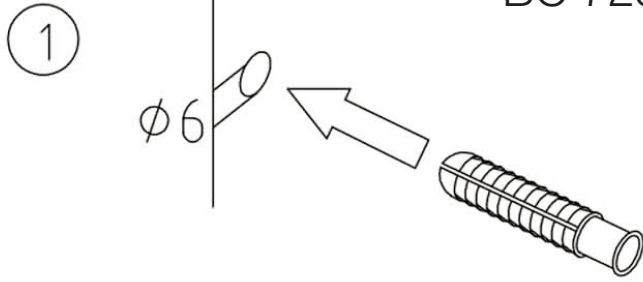


BC 725 installation instructions



Bell-Chem Products Company

Haywood Way, Hastings, TN35 4PL

Tel: 01424 202224 • info@dolphindispensers.co.uk • www/dolphindispensers.co.uk

