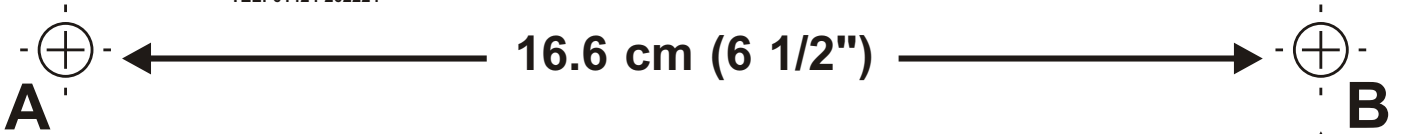




BELL-CHEM PRODUCTS COMPANY
 SOUTHPOINT, COMPASS PARK, BODIAM,
 ROBERTSBRIDGE, TN32 5BS, U.K.
 TEL: 01424 202224

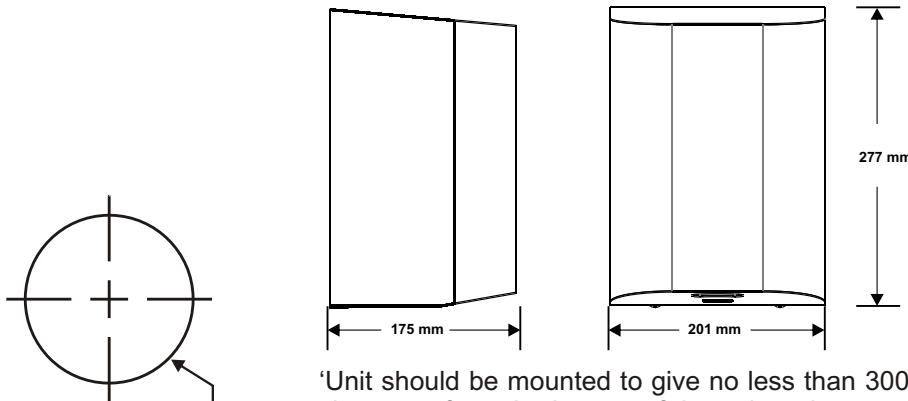


DRYER MOUNTING TEMPLATE

Fix this card on the wall.

Drill 4 holes

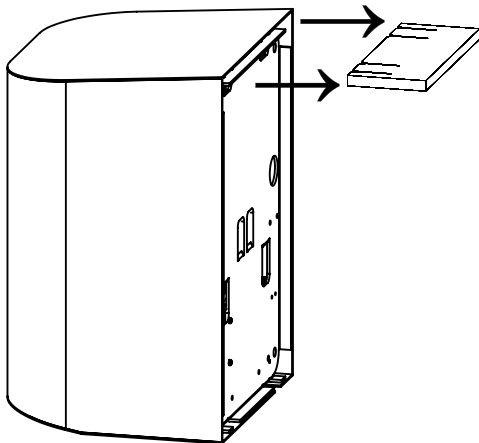
(A. B. C. D. 8 mm (3") diameter:35 mm (1 3/8") depth.)



'Unit should be mounted to give no less than 300mm clearance from the bottom of the unit to the nearest surface below'

CONNECT DESCRIPTION

1. Secure the base plate on the wall provided.
2. The conduit in place by suitable 1/2 inch trade conduit fitting.
3. Connections:
 - A. Connect the live wire colored red (or brown) to The terminal block where marked "L".
 - B. Connect the neutral wire colored black (or blue) To the terminal block where marked "N".
 - C. Connect the earth wire colored green and yellow (or green, note bare earth wires should be sleeved With green and yellow or green sleeving) to the Ground washer where marked with the earth symbol. ⊕



Remove cardboard insert before installation

Important Information

This Product falls within the scope of the Waste Electrical & Electronic Equipment Directive 2002/96 EC. (WEEE)



NOTE:

This Product should not be disposed of with household waste
 Please recycle where facilities exist.
 Check with your local authority for recycling advice.

