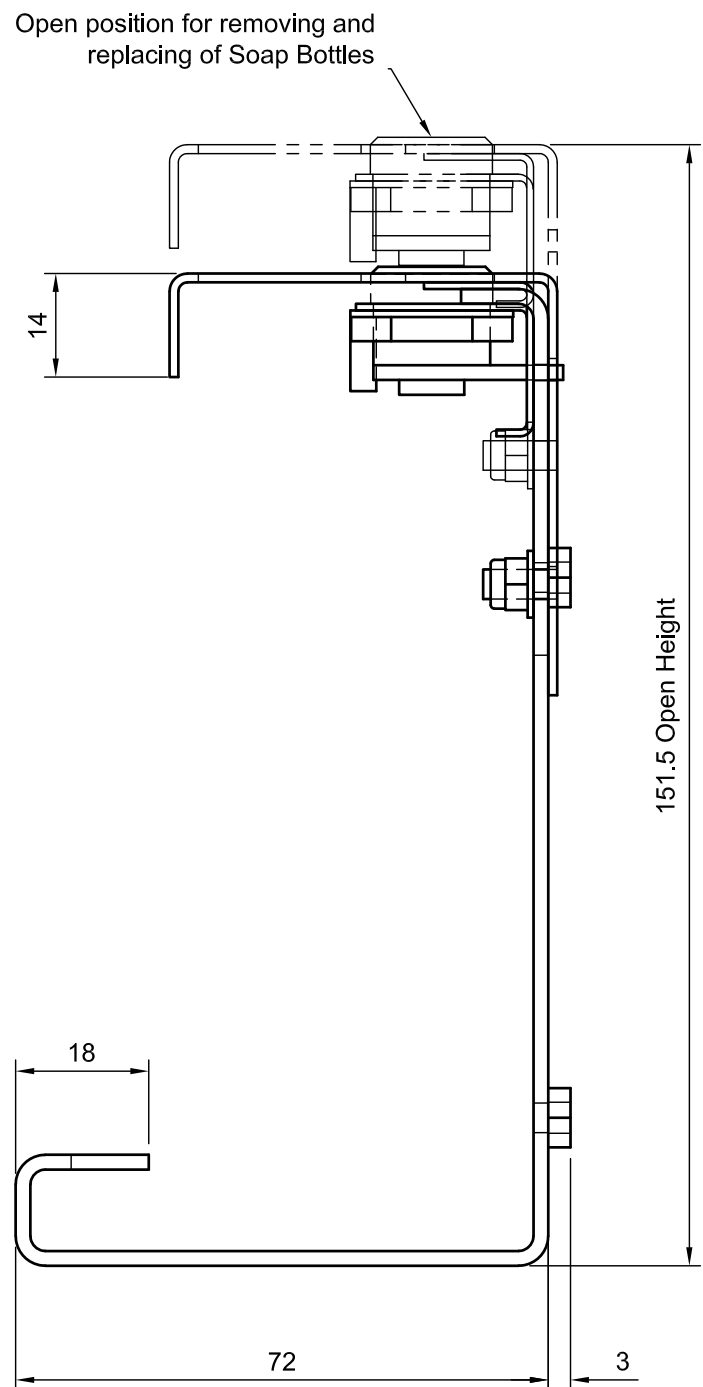
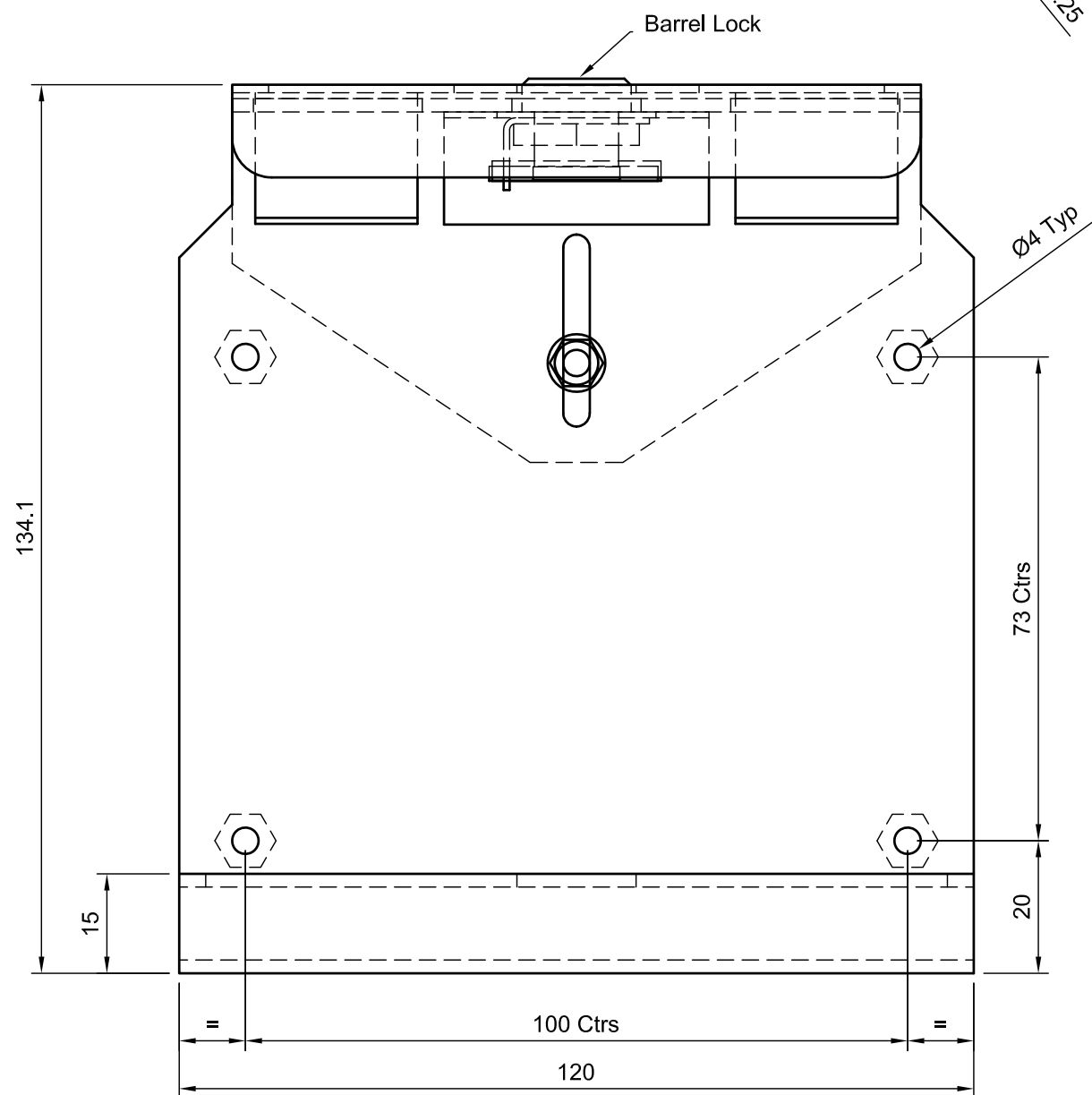


Notes :

Supplied with 4 off 1 1/2" X No. 6 Flange Head Black Finish Screws and Wall Plugs.

Barrel Lock Key cannot be removed in open position.

Product Code BC 363-2



All dimensions in mm - Do not scale - If in doubt ask!



SOUTHPOINT, COMPASS PARK,
JUNCTION ROAD, BODIAM,
TN32 5BS UNITED KINGDOM

+44 (0) 1424 202 224 TEL
+44 (0) 1424 205 200 FAX
info@dolphinsolutions.co.uk
dolphinsolutions.co.uk

This drawing and content are the exclusive property of Dolphin Solutions Ltd

Rev	Date	Modification
-	-	-

DRAWING APPROVED

SIGNED.....
DATE.....
ON BEHALF OF.....
PRINT NAME.....

IMPORTANT:
This drawing has been produced for client's approval of layout, finish and size. Manufacture will not commence until it has been returned satisfactorily approved. The dimensions shown are nominal & unless otherwise requested are subject to normal engineering tolerances.
For details & descriptions of items on this dwg please refer to F.C.Frost Ltd. Catalogue available on request.

Project											
Title Outline of Twin Soap Bottle Holder For 300ml Molton Brown Soap Bottles											
Material Stainless Steel 1.4301 (304) Bottle Holder : 2.0mm Top : 1.2mm	<table border="1"> <tr> <td>Drawn</td> <td>PL</td> </tr> <tr> <td>Approved</td> <td>PMW</td> </tr> <tr> <td>Checked</td> <td>PMW</td> </tr> <tr> <td>Date</td> <td>16/02/2018</td> </tr> <tr> <td>Scale</td> <td>NTS</td> </tr> </table>	Drawn	PL	Approved	PMW	Checked	PMW	Date	16/02/2018	Scale	NTS
Drawn	PL										
Approved	PMW										
Checked	PMW										
Date	16/02/2018										
Scale	NTS										
Finish Powder coat RAL9005 Matt 30%	<table border="1"> <tr> <td colspan="2">Tolerances General Engineering Tolerances Apply</td> </tr> </table>	Tolerances General Engineering Tolerances Apply									
Tolerances General Engineering Tolerances Apply											
Drawing No. AX-06-13555	<table border="1"> <tr> <td>Rev</td> <td></td> </tr> <tr> <td>Sh</td> <td>2 Of 2</td> </tr> </table>	Rev		Sh	2 Of 2						
Rev											
Sh	2 Of 2										