



# Dolphin Blue

## Infrared Systems Important Design Tips



# Dolphin Blue Infrared Systems

## Designing a washroom including Dolphin Blue Infrared Systems

Dolphin Blue Infrared Taps, Shower Controls and Urinal Flush Valves offer significant water and energy savings. However, there are some simple DO's and DON'Ts and TIPs which will help avoid 99% of the situations often associated with infrared systems for washrooms.

It should be noted that these details are not exhaustive but will help eliminate 99% of situations. It is recommended that for larger projects especially where design restraints will result in taps being set on minimum or maximum settings, we would advise a very simple mock-up be set with materials to be used to ensure infrared device operates as desired.



## DO's

### Battery Back up

DO include a battery back-up device when installing a transformer powered infrared tap in an accessible washroom.

### Security Time

DO ensure security time is set at approximately 20 seconds on infrared taps especially in locations susceptible to vandalism. Also important: to be set at 20 seconds to comply with ECA/WTL scheme.

### Flow Rate

DO specify what flow rate is required when placing your order.

Taps - 6 litre / minute is standard. 4 litre / minute is readily available.

Shower head - 9 litres/ minute is standard, 8 litres / minute is available.

Please speak to the Dolphin Technical Helpline for other flow rates if required.

### Pressure

DO ensure the static and dynamic pressure at the Dolphin Blue device is within the tolerances stated on the product literature / data sheet (please ask if you cannot find it). Most devices are tested to operate between 0.5 and 8 bar. If pressures are outside the stated tolerances please contact the Technical Helpline on 01424 20 22 24.

### Filters

Do ensure filters supplied with the Dolphin Blue device are installed. It may not be sufficient to rely on the filters often included with thermostatic mixing valves as the gauge of the filter mesh may not be fine enough. It is also important to ensure pipes are flushed prior to connection and filters are inspected on a regular basis. Time between inspections will depend on hardness and quality of water.

### Distance from Transformer

It is recommended you ensure the maximum distance between a Dolphin Blue Infrared Tap and its power source is 5 metres.

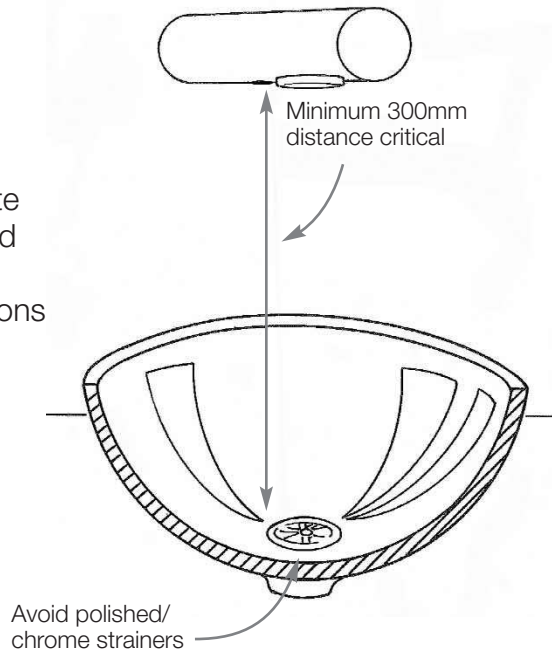
# DON'Ts

## Mirrors

It is not advisable to locate a Dolphin Blue Infrared device directly opposite a mirror where the infrared eye faces the mirror in such a way that it could reflect itself as this can cause false activations even if the mirror is 2-4 metres away from the infrared eye.

## Two Infrared Taps

It is not advisable to locate infrared taps directly opposite each other where the infrared eyes face each other as this can also cause false activations even when there is a fair distance between them.



## Panel Mounted Infrared Taps

It is very important to ensure the distance between the sensor and the bottom of basin when installing a panel mounted Dolphin Blue Tap with an integral sensor is a minimum of 300mm above the bottom of the basin.

## Polished Traps and Sink Surfaces

When installing a Dolphin Blue Panel Mounted Tap with an integral sensor it is recommended that you avoid a highly polished chrome trap or sink surface – it will act like a mirror to the tap sensor, potentially causing false activations and wasted water

# TIPs

## High Visibility Clothing

It is a feature of most infrared devices in the washroom market that the reflective strips on high visibility clothing may cause the device to operate, even if someone just walks past, with no intention of using it.

The DB51 Dolphin Blue Remote Control can be used to reduce the range of a device to reduce these false activations but may not eliminate the phenomena completely.

## 'Tall' Version Taps and Spout Lengths

Consider the position of the water outlet / aerator in relation to the basin.

Please feel free to discuss spout lengths with the Dolphin Technical Helpline on 01424 2022 24.





washrooms worth experiencing

**0800 0723 404**

Bell-Chem Products Company  
Haywood Way, Hastings, TN35 4PL

[info@dolphindispensers.co.uk](mailto:info@dolphindispensers.co.uk)  
[www.dolphindispensers.co.uk](http://www.dolphindispensers.co.uk)

