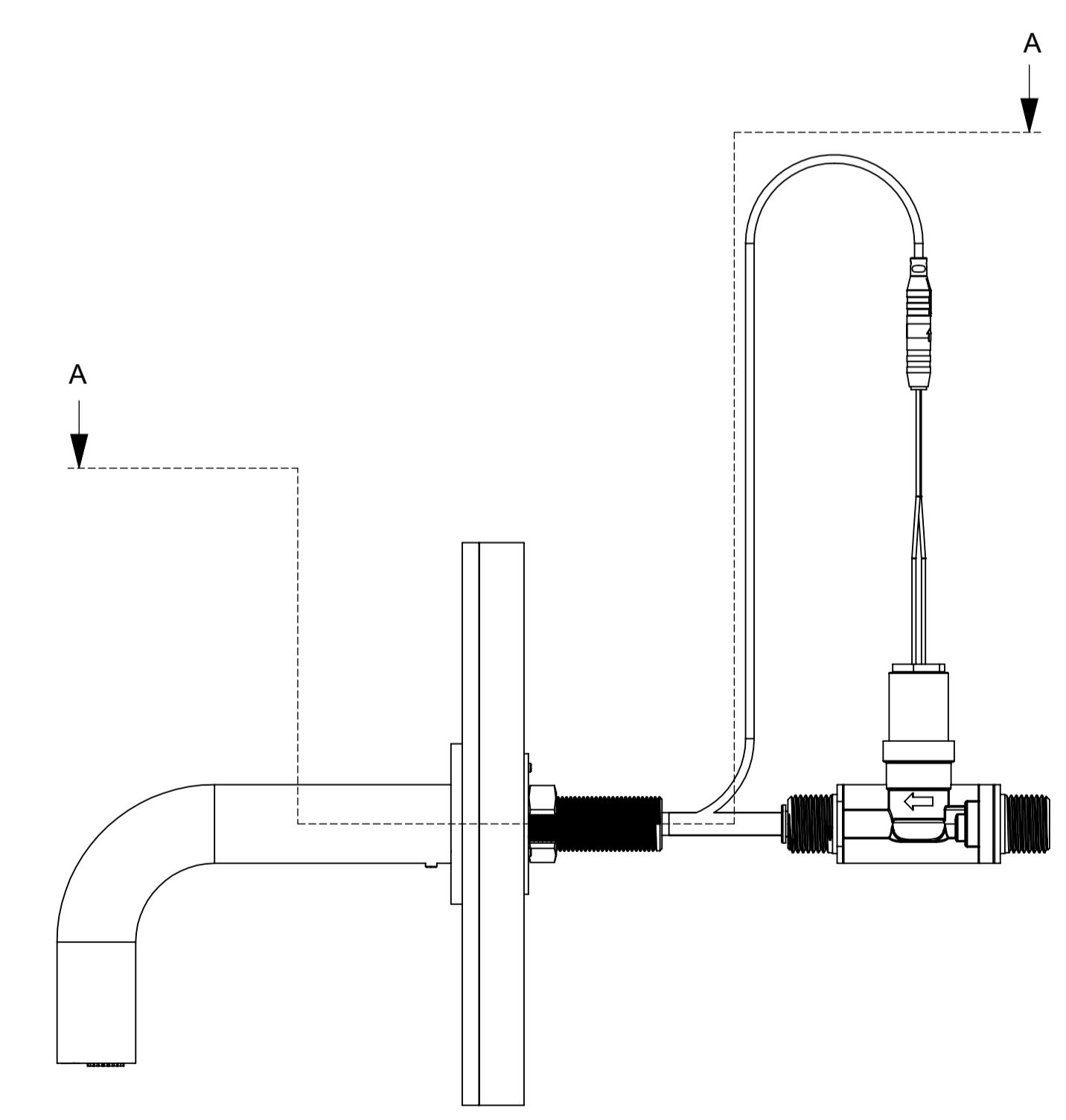
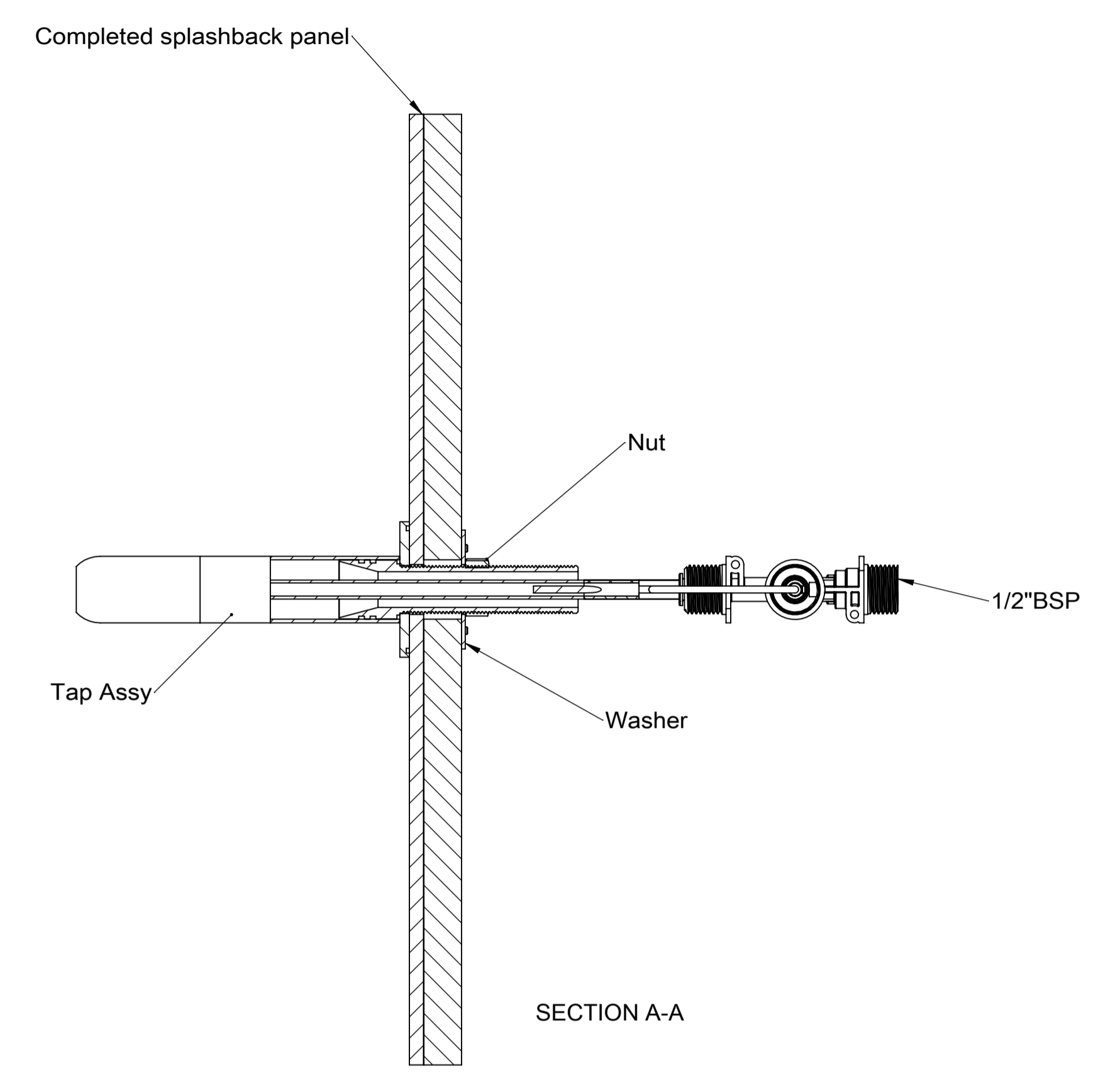
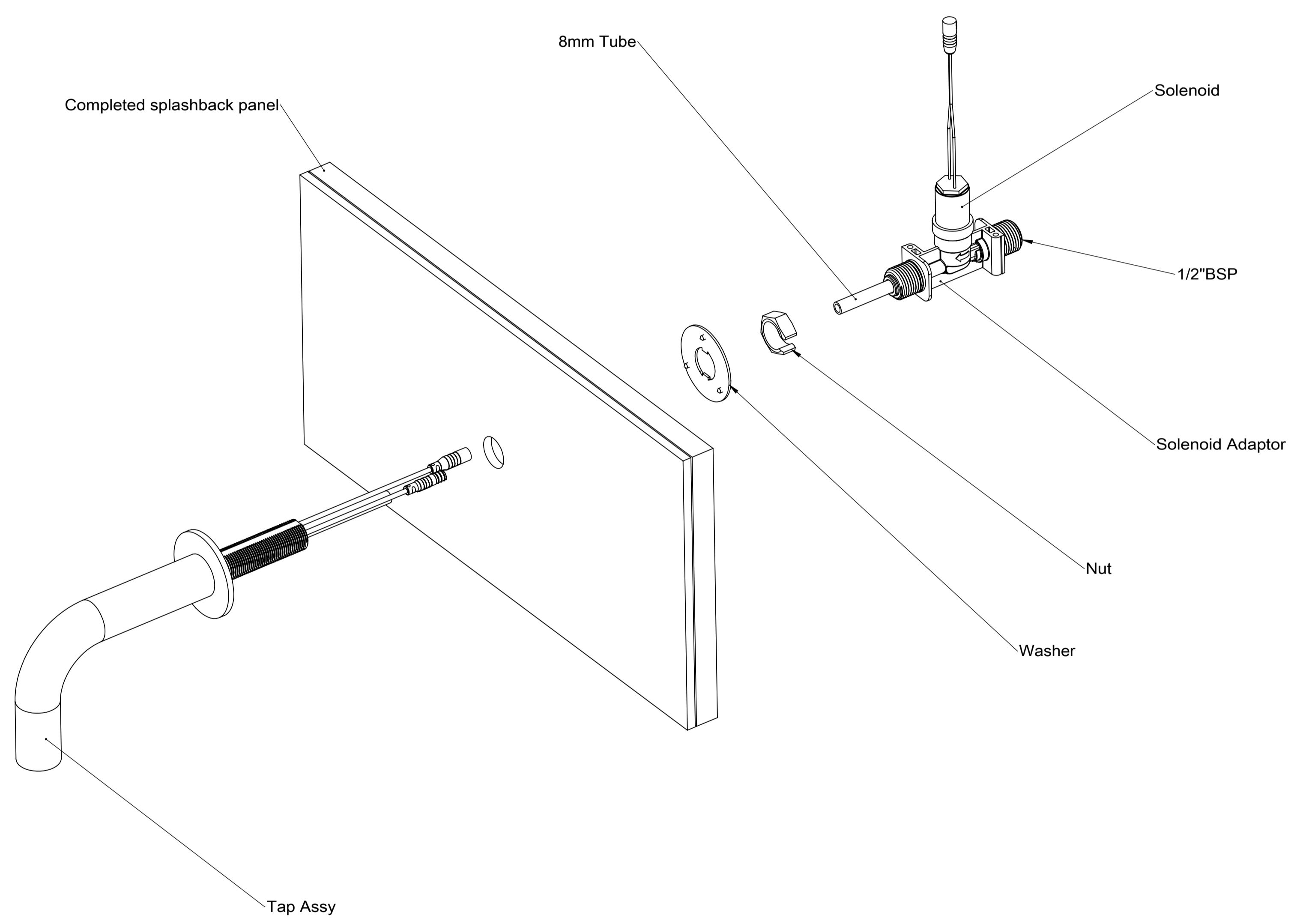


REVISIONS			
REV.	DESCRIPTION	DATE	APPROVED



1. Complete splashback assembly with tap mounting hole.
2. Insert plugs, cables and then pipe from the tap into mounting hole and feed through.
3. Fit tap assembly into mounting hole and hold in place.
4. From rear of tap assembly thread mounting washer over plugs, cables and pipe and onto threaded mounting tail ensuring the pointed tips of the grub screws in the mounting washer face the back of the splashback build up for anti-rotation security.
5. Thread mounting nut onto mounting tail and tighten ensuring tap assembly if mounted square and vertical.
6. Continue with power and water connections as per installation instructions.

If in doubt ask!  
 © Bell-Chem Products Co Ltd - This drawing may not be copied or disclosed without permission.

	DWG No: DS101-Installation Guide Assembly		Rev: A
	Title: Southpoint Compass Park Bodiam TN32 5SS Tel: +44 (0) 1424 202224 E-mail: info@dolphindispensers.co.uk Website: www.dolphindispensers.co.uk		
Part Number: DS101-Installation Guide Assembly130mm		Material:	
Drawn: 24/05/2018	Checked:		Finish:
Weight:	Sheet Size: A1	Scale: 1:2	Sheet: 1 of 1
UNLESS OTHERWISE SPECIFIED: DIMENSIONS ARE IN MILLIMETRES			
DO NOT SCALE DRAWING			