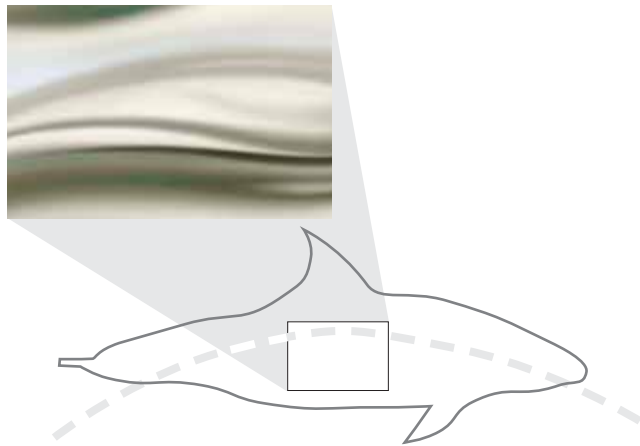




ACCESSIBLE WASHROOM RANGE

THE EASE PATTERN



FRASER'S DOLPHIN

The Fraser's dolphin live in groups from 100 to 1,000 and tend to live in water that is more than 3,300 feet deep. They always swim very closely together. These are fast swimmers and then tend to engage in that behaviour throughout the day. They are great hunters and do so in groups relying on their prey's vibrations to find them.



Dolphin Ease is our range of accessible washroom fittings. They are designed to our usual exacting standards, to make it simple for you to meet the requirements of Part M and BS8300, while creating a washroom that's easy on the eye, and a pleasure to use.

The range encompasses Part M shower and washroom packs, and grab rails in a variety of styles and finishes – stainless steel or powder-coated to match other washroom fittings.

LRV ratings (Light Reflective Values) are available for almost all items in the Dolphin Ease range.

CASE STUDY	2
PRESTIGE PART M COLLECTION	4
<hr/>	
PRODUCT CATEGORIES	
PART M SHOWER PACKS	6
PART M TOILET PACKS	8
PRESTIGE ACCESSORIES	11



FOR FULL TECHNICAL DETAILS SEE DOLPHINSOLUTIONS.CO.UK

CASE STUDY

36 QUEEN ANNE STREET LONDON

Set in an historic location in the City of London, washrooms for this prestigious building needed to be stylish, contemporary and practical - facilitating easy access for all of its visitors and delivering 'something more than the usual'.

Our Part M packs provided an 'off the shelf' solution for helping meet Part M building regulations and proved a good match for the other stainless steel fittings being used in the washrooms. Complemented by the Dolphin Prestige Shower Seats and a Dolphin Combination Unit a contemporary a stylish black and stainless steel look was created. The stylish, accessible washrooms really stand out from the crowd and live up to the high standards of exceptional design and functionality set for the building.



FEATURED PRODUCTS



BC360



BC706



BC5083-DOCM



DP600200



BC721

PRESTIGE PART M COLLECTION



COLLECTION CURATED BY
CHRIS BEATTIE

The challenge in this area is to make these washrooms as beautiful as the rest of the building - too often they are left to last and just not given the design detail that they deserve. I have included a stainless steel baby change table to make the use of the limited space.

FEATURED PRODUCTS



DP670300



BC5083-07



BC5083-DOC M



DP640



DP680100



DP600200



DP600300



DP630



BCI00SS-SM



DP611

PART M SHOWER PACKS



BC5083-SHE DOLPHIN STAINLESS STEEL PART M SHOWER PACK – EXPOSED VALVE

- > High quality brushed stainless steel Part M compliant shower pack
- > TMV3 and WRAS approved polished chrome valve and fittings
- > All grab rails, shower valves, curtain rails and curtains are included



BC5083-SHV DOLPHIN STAINLESS STEEL PART M SHOWER PACK VALVE-LESS

- > High quality Brushed and Polished Stainless Steel Part M compliant shower pack – supplied without valve and shower fittings
- > All grab rails, curtain rails and curtains are included



BC5073-SHCB DOLPHIN EPOXY PART M SHOWER PACK – CONCEALED VALVE

- > High quality epoxy coated Part M compliant shower pack
- > TMV3 and WRAS approved polished chrome valve and fittings
- > All grab rails, shower valves, curtain rails and curtains are included
- > Concealed shower valve
- > **BC5083-SHCB** – Blue rails
- > **BC5083-SHCW** – White rails



BC5073-SHEW / BC5073-SHEB DOLPHIN EPOXY PART M SHOWER PACK – EXPOSED VALVE

- > High quality epoxy coated Part M compliant shower pack
- > TMV3 and WRAS approved polished chrome valve and fittings
- > All grab rails, shower valves, curtain rails and curtains are included
- > Exposed shower valve
- > **BC5073-SHEB** – Blue rails
- > **BC5073-SHEW** – White rails



PART M TOILET PACKS

BC5084-FF DOLPHIN DOLPHIN PART M TOILET PACK – FLUSH FITTINGS

- > A convenient and stylish solution for meeting Part M requirements in a stylish washroom with flush fittings.
- > Pack includes drop down rail, roseless grab rails, back rest, cistern frame and flush plate, emergency pull cord, toilet pan and seat, basin, sensor tap and soap dispenser; stainless steel trap, hand dryer; paper towel dispenser; bin, coat hooks, toilet roll dispenser; toilet brush, stainless steel shelf.



BC5084-SMF DOLPHIN PART M TOILET PACK – SURFACE MOUNTED FITTINGS

- > A medium range, convenient and stylish solution for meeting Part M requirements in a stylish washroom with surface mounted stainless steel fittings.
- > Pack includes drop down rail, concealed fixing grab rails, back rest, cistern frame and flush plate, emergency pull cord, toilet pan and seat, basin, sensor tap, soap dispenser, stainless steel trap, hand dryer (100mm deep), paper towel dispenser, bin, coat hooks, toilet roll dispenser, toilet brush, stainless steel shelf.



BC5084-BWF DOLPHIN PART M TOILET PACK – BUDGET FITTINGS

- > A budget range - convenient and stylish solution for meeting Part M requirements in a stylish washroom with surface mounted stainless steel and plastic fittings.
- > Pack includes drop down rail, concealed fixing grab rails, back rest, cistern frame and flush plate, emergency pull cord, toilet pan and seat, basin, sensor tap, soap dispenser, stainless steel trap, hand dryer, paper towel dispenser, bin, coat hooks, toilet roll dispenser, toilet brush, stainless steel shelf.



BC5083-DOLPHIN DOC M PACKS

- > High quality stainless steel Doc M compliant packs
- > Concealed fixings
- > A convenient solution to meeting Doc M requirements in the washroom; there are three options for Doc M Pack:
- > **BC5083-Doc 3** includes 3 x 600mm rails, 1 hinged support rail and 1 padded backrest
- > **BC5083-Doc 4** includes 4 x 600mm rails, 1 x hinged support rail and 1 x padded backrest
- > **BC5083-Doc 5** includes 1 x 450mm rail, 4 x 600mm rails, 1 x hinged support rail and 1 x padded backrest



BC5063-02 DOLPHIN CONTEMPORARY GRAB RAIL

632 MM LENGTH
32 MM DIAMETER
50 MM PROJECTION

- > High Quality Stainless Steel
- > Contemporary look & rose less fixing
- > Fixings not supplied as different surfaces will need different fixing methods
- > Secured to brass boss with a grub screw



BC5023-07 DOLPHIN CONTEMPORARY GRAB RAIL

800 MM LENGTH
32 MM DIAMETER

- > High quality stainless steel construction
- > Minimalist contemporary design
- > Rail folds up
- > Fixings not included
- > Tested to a drop weight of 130kg from a vertical position of 45°



BC5023-02 DOLPHIN CONTEMPORARY GRAB RAIL

480 MM LENGTH
32 MM DIAMETER
90 MM PROJECTION

- > Superb contemporary curved design
- > High quality stainless steel construction
- > Unique two part flange cover for ease of fixing
- > Mirror polished finish
- > Also available with lengths of:

BC5023-01 – 350mm

BC5023-03 – 620mm

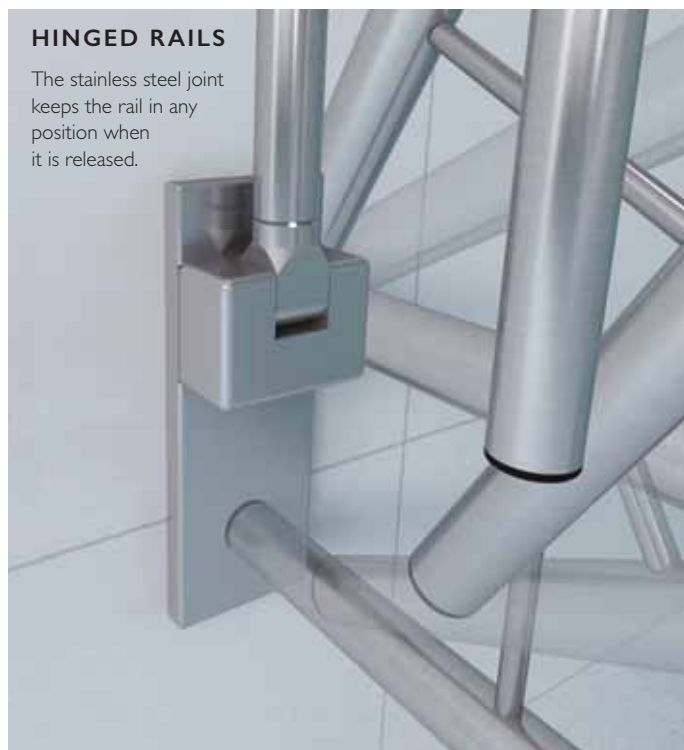
BC5023-05 – 900mm



PRESTIGE ACCESSORIES

HINGED RAILS

The stainless steel joint keeps the rail in any position when it is released.



CONCEALED FIXING

Clean, hygienic and theft resistant.



DP600200 DOLPHIN REMOVEABLE SHOWER SEAT

- > Removable Shower Seat
- > Polished chrome plated stainless steel frame
- > Hangs from a 600mm Grab Rail which must be purchased separately



DP600210 DOLPHIN FIXED FOLDING SEAT / FIXED BACK REST

- > Fixed Folding Seat
- > Fixed Back Rest for Folding Seat
- > Polished chrome plated stainless steel frame
- > Black polyurethane seat surface with water drain aperture



DP650 DOLPHIN SHOWER GRAB RAILS

- > Shower Grab Rail
- > Tubes are manufactured in a robust, easy to clean stainless steel, satin or textured finish
- > All rails TUV certified in accordance with DIN EN 12182, and CE marked in accordance with 93/42 EEC
- > All rails capable of supporting up to 125kg
- > Outer diameter of tubes 32mm for an ergonomic grip
- > Available with lengths of:
 - DP650100** – 900 x 900mm
 - DP650200** – 800 x 800mm
 - DP650300** – 700 x 700mm



DP600300 DOLPHIN GRAB RAIL

300 MM LENGTH
32 MM DIAMETER
90 MM PROJECTION

- > Tubes are manufactured in a robust, easy to clean stainless steel, satin or textured finish
- > All rails TUV certified in accordance with DIN EN 12182, and CE marked in accordance with 93/42 EEC
- > All rails capable of supporting up to 125kg
- > Outer diameter of tubes 32mm for an ergonomic grip
- > Also available with lengths of:
 - DP600400** – 400mm
 - DP600500** – 500mm
 - DP600600** – 600mm
 - DP1000500** – 1000mm



DP601 DOLPHIN SHOWER RAIL WITH SHOWER RISER

32 MM DIAMETER
90 MM PROJECTION

- > Tubes are manufactured in a robust, easy to clean stainless steel, satin or textured finish
- > All rails TUV certified in accordance with DIN EN 12182, and CE marked in accordance with 93/42 EEC
- > All rails capable of supporting up to 125kg
- > Outer diameter of tubes 32mm for an ergonomic grip
- > Available with lengths of:
DP601300 – 300mm **DP601000** – 1000mm
DP601600 – 400mm **DP601100** – 1100mm
DP601800 – 500mm



DP680 DOLPHIN SHOWER CURTAIN RAIL

- > Corner Shower Curtain Rail
- > Tubes are manufactured in a robust, easy to clean stainless steel, satin or textured finish
- > All rails TUV certified in accordance with DIN EN 12182, and CE marked in accordance with 93/42 EEC
- > All rails capable of supporting up to 125kg
- > Outer diameter of tubes 32mm for an ergonomic grip
- > Available with lengths of:
DP680100 – 900 x 900mm
DP680200 – 1000 x 1000mm
DP680300 – 1200 x 1200mm
DP680400 – 1500 x 1500mm
DP680500 – 1000 x 1200mm
DP680600 – 1000 x 1500mm



DP670 DOLPHIN SUPPORT RAIL – HINGED

250 MM HEIGHT
90 MM DIAMETER

- > Hinged support rail supporting up to 125kg
- > Tubes are manufactured in a robust, easy to clean stainless steel, satin or textured finish
- > All rails TUV certified in accordance with DIN EN 12182, and CE marked in accordance with 93/42 EEC
- > Outer diameter of tubes 32mm for an ergonomic grip
- > Available with lengths of:
DP670100 – 600mm
DP670200 – 400mm
DP670300 – 850mm

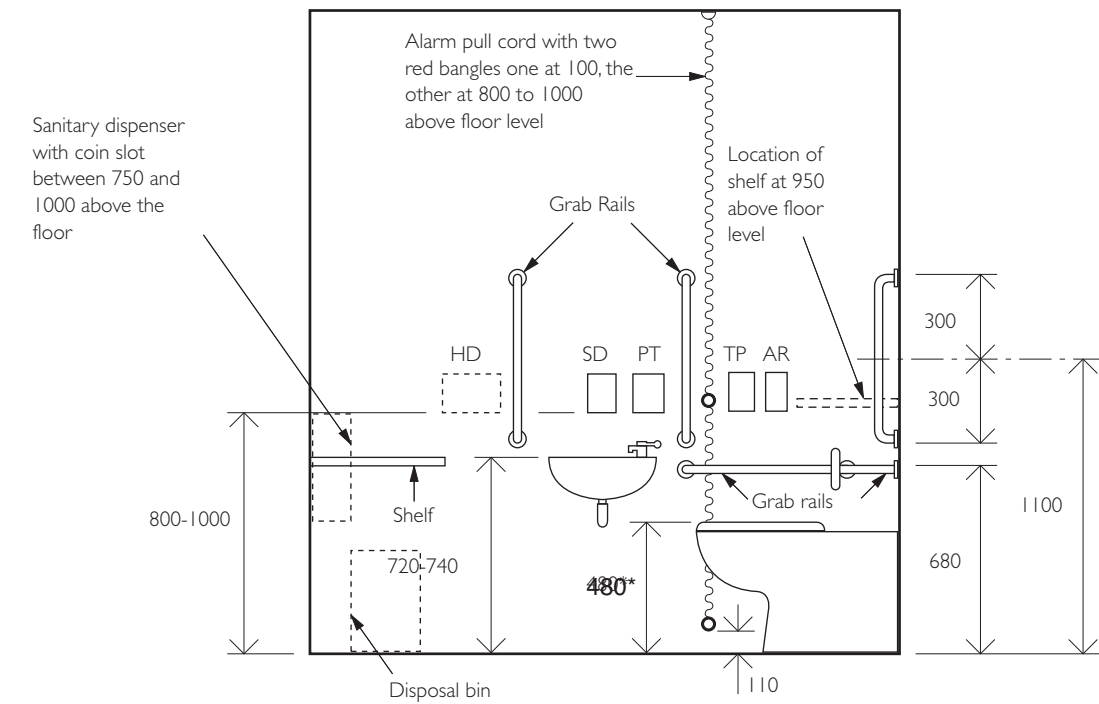


DP620500 DOLPHIN ANGLED GRAB RAIL 90° RANGE

- > Angled Grab Rail 90° with left hand and right hand versions
- > Tubes are manufactured in a robust, easy to clean stainless steel, satin or textured finish
- > All rails TUV certified in accordance with DIN EN 12182, and CE marked in accordance with 93/42 EEC
- > All rails capable of supporting up to 125kg
- > Outer diameter of tubes 32mm for an ergonomic grip
- > Available with lengths of:

Left hand	Right hand
DP620100 – 650 x 350mm	DP620110 – 650 x 350mm
DP620200 – 750 x 400mm	DP620210 – 750 x 400mm
DP620300 – 650 x 350mm	DP620310 – 650 x 350mm
DP620400 – 750 x 400mm	DP620410 – 750 x 400mm

HEIGHTS AND ARRANGEMENT OF FITTINGS IN A UNISEX WHEELCHAIR ACCESSIBLE TOILET

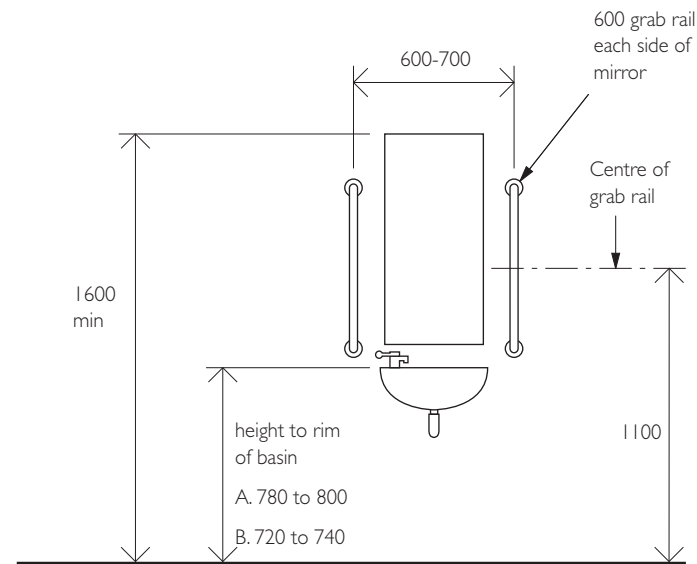


*Height subject to manufacturing tolerance of WC pan

- HD Possible position for automatic hand dryer
- SD Soap Dispenser
- PT Paper Towel dispenser
- AR Alarm Reset button
- TP Toilet Paper Dispenser

Height of drop-down rails to be the same as the other horizontal grab rails

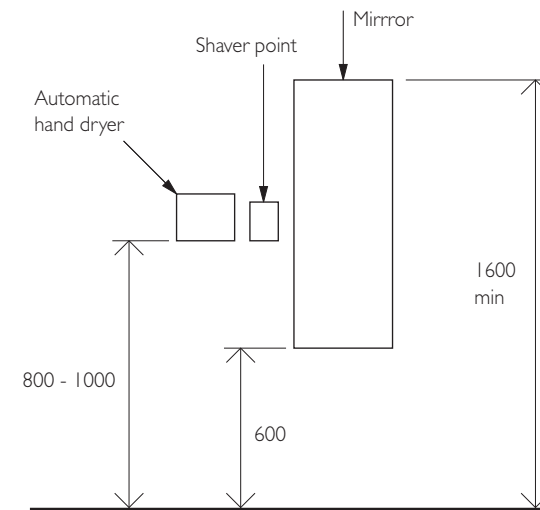
HEIGHTS OF VARIOUS FITTINGS IN TOILET ACCOMMODATION



Height of independent wash basin and location of associated fittings, for wheelchair users and standing people

A. For people range of compartments)

B. For use from WC



Mirror located away from wash basin suitable for seated and standing people (mirror and associated fittings used within a WC compartment or serving a range of compartments)

Our Dolphin Ease texture was inspired by the Fraser's Dolphin, a very large species distinguished by a racoon-like black band around their eyes.

Dolphin Solutions Ltd
Southpoint, Compass Park,
Junction Road
Bodiam, TN32 5BS,
United Kingdom
T +44 (0)1424 202 224
info@dolphinsolutions.co.uk
dolphinsolutions.co.uk

© Dolphin Solutions Ltd