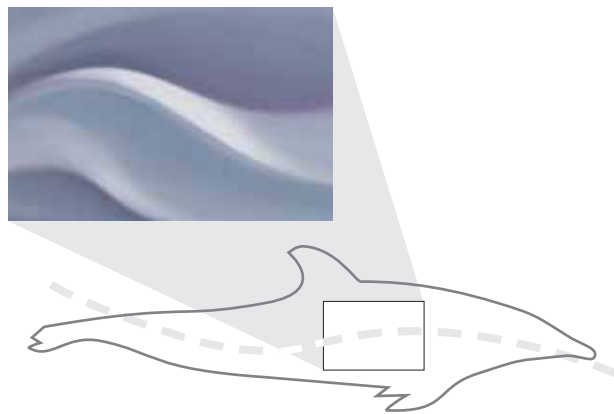




### THE EXCEL PATTERN



### ROUGH TOOTHED DOLPHIN

At home in deep warm and tropical waters world-wide. First discovered by French zoologist Georges Cuvier in 1833. The Genus Name, Tena is derived from the Greek word for 'narrow'. This is a reference to the dolphin's beak, its most distinct characteristic aside from the roughened texture of its teeth.



Dolphin Excel is a family of washroom dispensers, from the leaders in the field, that marries clean modern design with robust functional elegance.

Designed and manufactured here in the UK, every dispenser in the range is intelligently user-friendly; a pleasure to use, and easy to refill - with a simple inconspicuous locking mechanism, and clear viewing windows for at-a-glance checking of consumable levels.

Tough yet stylish ABS construction makes our dispensers as vandal-resistant as they are easy-on-the-eye.

And they can even be a marketing opportunity. Just ask, and we'll be happy to custom-print dispensers with your logo, or other message, to make your washrooms a discreetly branded environment.

<b>CASE STUDY</b>	<b>2</b>
<b>COLLECTION</b>	<b>4</b>
<hr/>	
SOAP DISPENSERS	6
TOILET TISSUE DISPENSERS	8
PAPER TOWEL DISPENSERS	14
ACCESSORIES	17



FEATURED PRODUCTS



BC123



BC528W



## THE AFFORDABLE WASHROOM COLLECTION



**COLLECTION CURATED BY**  
GARTH NAPIER

The Excel range is striking in design yet simple in functionality and a janitor's dream as they're easy to refill. The foam system reduces water consumption by up to 20% while the hand dryer is fast and highly energy efficient. The toilet tissue dispenser is a no waste system and every sheet of every roll is used, which reduces paper waste by up to 30%.

The Excel range is perfect in smaller washrooms for the price conscious buyer when washrooms need to be functional, durable and long lasting. Excel products look professional, work time after time and are excellent value – at least that's what my customers say.

### FEATURED PRODUCTS



BC123



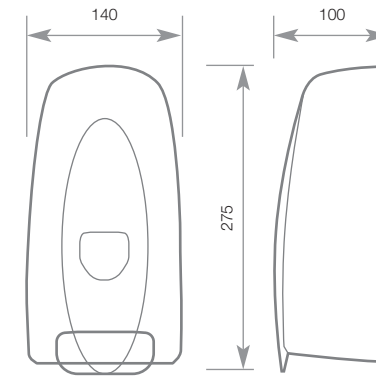
BC528W



BC326W



- BC121 DOLPHIN EXCEL POUCH FOAM SOAP DISPENSER
- BC123 DOLPHIN EXCEL REFILLABLE LIQUID SOAP DISPENSER
- BC124 DOLPHIN EXCEL POUCH LIQUID SOAP DISPENSER



275 MM HEIGHT  
 140 MM WIDTH  
 100 MM PROJECTION

- > High quality, durable soap dispenser suitable for almost all applications
- > Suitable for accessible washrooms if applicable
- > Keyless dispenser



**BC121 EXCEL POUCH  
 FOAM SOAP DISPENSER**

- > Pouch capacity 1000ml foam soap – Dolphin pouches only
- > Suitable for most types of foam soap
- > 0.4ml pump – 2500 shots per cartridge



**BC123 EXCEL REFILLABLE  
 LIQUID SOAP DISPENSER**

- > 1000ml capacity
- > Refillable dispenser
- > Dispenses most antibacterial soaps and alcohol gels with an alcohol content of less than 70%
- > High quality disc pump – 1.5ml per shot

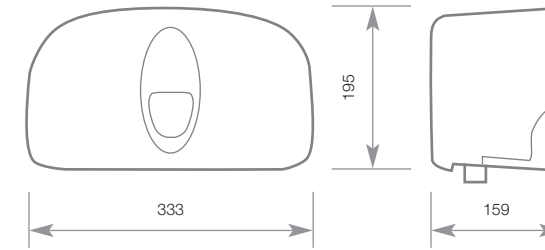


**BC124 EXCEL POUCH  
 LIQUID SOAP DISPENSER**

- > Pouch capacity 1000ml liquid soap – Dolphin pouches only
- > Dispenses most antibacterial soaps and alcohol gels with an alcohol content of less than 70%
- > High quality disc pump – 1.5ml per shot



- BC250W** DOLPHIN EXCEL MICRO MINI JUMBO DISPENSER
- BC251W** DOLPHIN EXCEL COREMATIC TOILET ROLL DISPENSER
- BC252W** DOLPHIN EXCEL CORELESS TOILET ROLL DISPENSER



- 195 MM** HEIGHT
- 333 MM** WIDTH
- 159 MM** PROJECTION

- > Lockable dispenser
- > Zero-waste paper system - every sheet is used
- > Next roll very easy to access by moving the paddle over once the first roll is completely used. This ensures that there is less chance of running out of paper in a busy environment.



**BC250W EXCEL MICRO MINI JUMBO DISPENSER**

- > Dispenser holds two micro mini jumbo rolls or two 320 sheet toilet rolls
- > Maximum roll size – 145mm diameter x 100mm wide
- > Minimum Core diameter – 40mm
- > No-waste system – every sheet is used



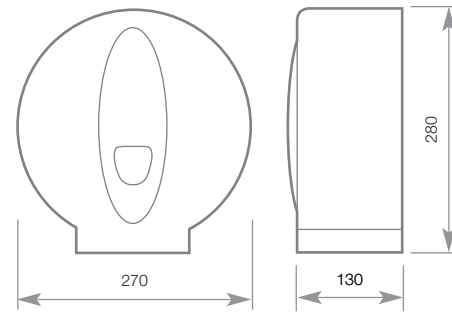
**BC251W EXCEL COREMATIC TOILET ROLL DISPENSER**

- > Dispenser holds two corematic-style toilet rolls – fits most plasticcores
- > Maximum roll size – 145 mm diameter x 100mm wide
- > No-waste system – every sheet is used



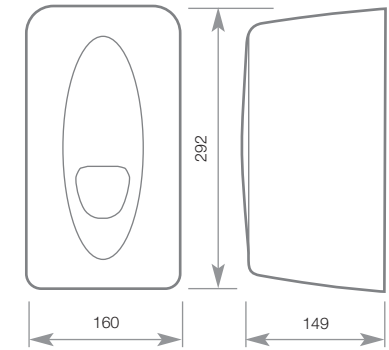
**BC252W EXCEL CORELESS TOILET ROLL DISPENSER**

- > Dispenser holds two coreless toilet rolls
- > No core means no mess and no waste for the cleaners to clear up. These are normally a tightly wound roll which means that the user gets a lot more paper for the same size roll.
- > Maximum roll size – 145 mm diameter x 100mm wide
- > No-waste system – every sheet is used



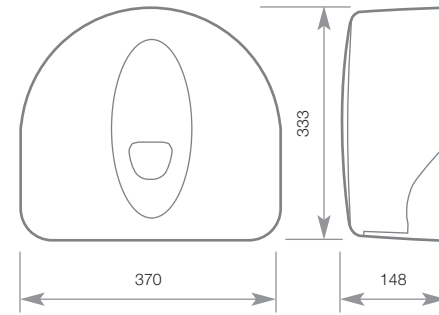
280 MM HEIGHT  
270 MM WIDTH  
130 MM PROJECTION

- > Lockable dispenser
- > Dispenser holds one mini jumbo roll
- > Maximum roll size – 240mm diameter (250m roll)
- > Core diameter – 2.25" or 3"



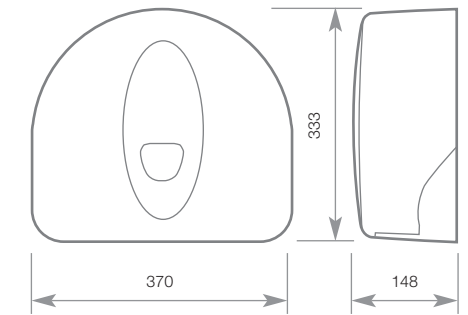
292 MM HEIGHT  
160 MM WIDTH  
149 MM PROJECTION

- > Lockable dispenser
- > Versatile aperture will dispense most bulk pack paper types
- > Maximum toilet tissue size 120mm x 100mm
- > Suitable for accessible washrooms
- > Very economical paper usage



333 MM HEIGHT  
370 MM WIDTH  
148 MM PROJECTION

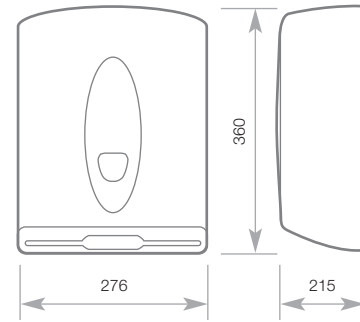
- > Lockable dispenser
- > Dispenser holds one mini jumbo and one 'stub' roll
- > Maximum roll sizes – mini jumbo roll 190mm diameter
- > Maximum roll sizes – stub roll 130mm
- > Zero-waste paper system - every sheet is used
- > Next roll is automatically in use
- > Core diameter – 2.25" or 3"



333 MM HEIGHT  
370 MM WIDTH  
148 MM PROJECTION

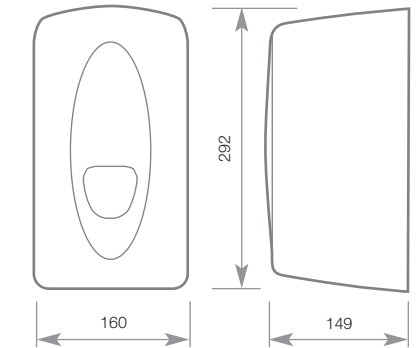
- > Lockable dispenser
- > Dispenser holds one jumbo roll
- > Maximum roll size – 310 mm diameter
- > Core diameter – 2.25" or 3"





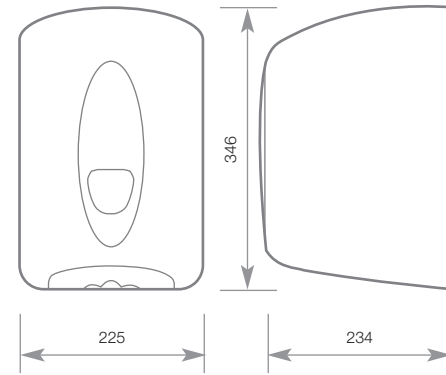
360 MM HEIGHT  
276 MM WIDTH  
125 MM PROJECTION

- > Lockable dispenser
- > Versatile aperture will dispense most paper towel types
- > Maximum paper towel size 255mm x 120mm
- > Towel Capacity: 400 c-fold towels or 600 multifold towels
- > Suitable for accessible washrooms – if applicable



292 MM HEIGHT  
160 MM WIDTH  
149 MM PROJECTION

- > Lockable dispenser
- > Suitable for industrial and kitchen applications
- > Maximum roll size – 200mm high x 130mm diameter



346 MM HEIGHT  
225 MM WIDTH  
234 MM PROJECTION

- > Lockable dispenser
- > Maximum roll size – 230mm high and 220mm diameter
- > Suitable for most industrial areas, garages, service stations, schools, kitchens etc.



**DOLPHIN PAPER TOWELS**

- > Luxury hand towels
- > Case quantity of 3,000
- > 2 ply embossed quality



**DOLPHIN FOAM SOAP**

- > 5 litre soap
- > High quality soap



**DOLPHIN LIQUID SOAP**

- > 5 litre soap
- > High quality soap



**DOLPHIN LIQUID SOAP**

- > **BC121LFS** Dolphin Luxury Foam Soap (6 x 1 litre)
- > **BC121AGS** Dolphin Foam Sanitizer (4 x 1 litre)
- > **BC124-AB** Dolphin Antibac Soap (6 x 1 litre)
- > **BC124-LS** Dolphin Luxury Pink Soap (6 x 1 litre)
- > **BC124-AG** Dolphin Alcogel Soap (6 x 1 litre)

Our Dolphin Excel texture was inspired by the Rough Toothed Dolphin – a somewhat reptilian species that lives up to its name, with ridges on its teeth.

Dolphin Solutions Ltd  
Southpoint, Compass Park,  
Junction Road  
Bodiam, TN32 5BS,  
United Kingdom  
T +44 (0)1424 202 224  
info@dolphinsolutions.co.uk  
dolphinsolutions.co.uk

© Dolphin Solutions Ltd